


Position	Qty.	Description
	1	<p data-bbox="320 338 606 365">GT-D-300 PN10 G1 1/4 V</p>  <p data-bbox="710 835 1193 862">Note! Product picture may differ from actual product</p> <p data-bbox="320 869 584 896">Product No.: 96528347</p> <p data-bbox="320 927 1422 1003">Grundfos GT-D-300 PN10 G1 1/4 V is a Double Diaphragm pressure tank, with a capacity of 300.0 l and Vertical installation. The tanks are approved for drinking water. The GT-D-300 PN10 G1 1/4 V is designed for a maximum operation pressure of 10 bar and a maximum liquid temperature of 90 °C.</p> <p data-bbox="320 1131 1433 1207">The tank is a steel pressure tank with double diaphragm. The diaphragm is a chlorine-resistant 100 % butyl diaphragm with a precision-moulded copolymer polypropylene liner for superior air and water separation.</p> <p data-bbox="320 1364 1449 1489">A pressure tank ensures controlled pressure in the water supply and thereby limits the switching frequency of the pump in case of low water consumption or leakage loss. The result is increased comfort in your installation by limiting the start/stop frequency of your pump, and it increases system comfort by compensating for pressure drops when a tap is opened, while reducing problems with water hammer in the pipework.</p> <p data-bbox="320 1565 746 1624">Liquid: Maximum liquid temperature: 90 °C</p> <p data-bbox="320 1655 890 1713">Technical: Membrane type: Double Diaphragm</p> <p data-bbox="320 1744 826 1803">Materials: Material: Carbon steel</p> <p data-bbox="320 1834 756 1919">Installation: Maximum operating pressure: 10 bar Size: 300.0</p> <p data-bbox="320 1951 810 2101">Others: Net weight: 48.4 kg Gross weight: 52.9 kg Applicat. typ: Standard Danish VVS No.: 398254790</p>



Company name:

Created by:

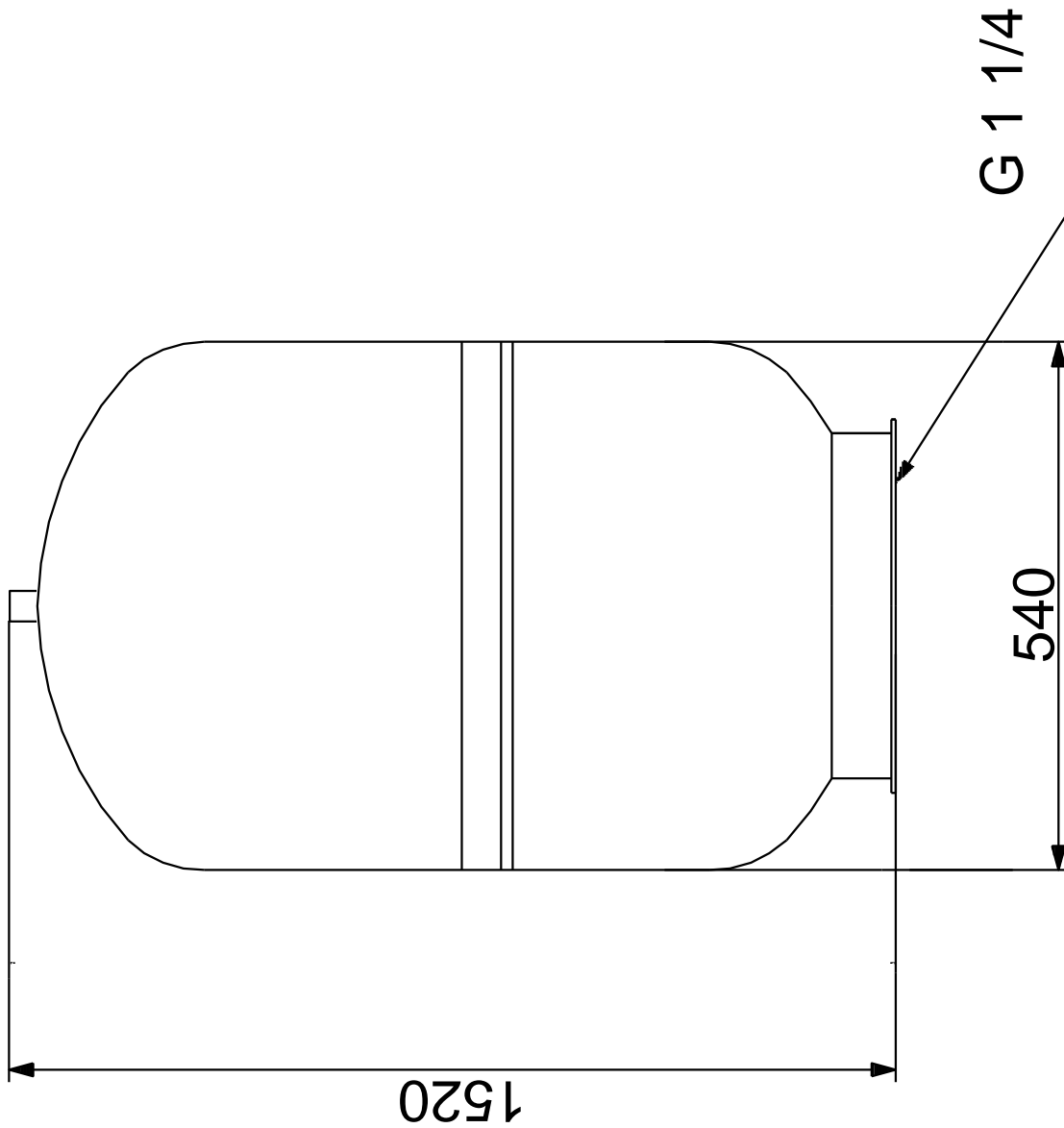
Phone:

Date:

02/11/2018

Description	Value
General information:	
Product name:	GT-D-300 PN10 G1 1/4 V
Product No:	96528347
EAN number:	5700397133583
Technical:	
Membrane type:	Double Diaphragm
Materials:	
Material:	Carbon steel
Installation:	
Maximum operating pressure:	10 bar
Pre-pressure:	1.4 bar
Installation:	Vertical
Size:	300.0
Liquid:	
Maximum liquid temperature:	90 °C
Others:	
Net weight:	48.4 kg
Gross weight:	52.9 kg
Applicat. typ:	Standard
Danish VVS No.:	398254790

96528347 GT-D-300 PN10 G1 1/4 V 50 Hz



Note! All units are in [mm] unless others are stated.
Disclaimer: This simplified dimensional drawing does not show all details.