
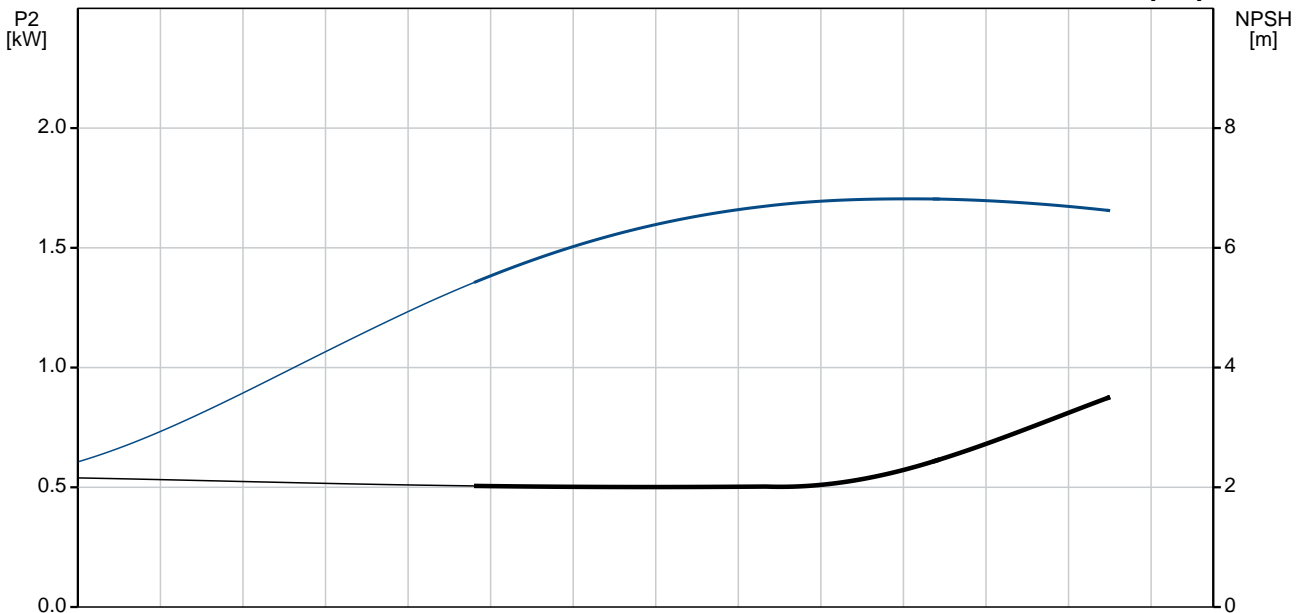
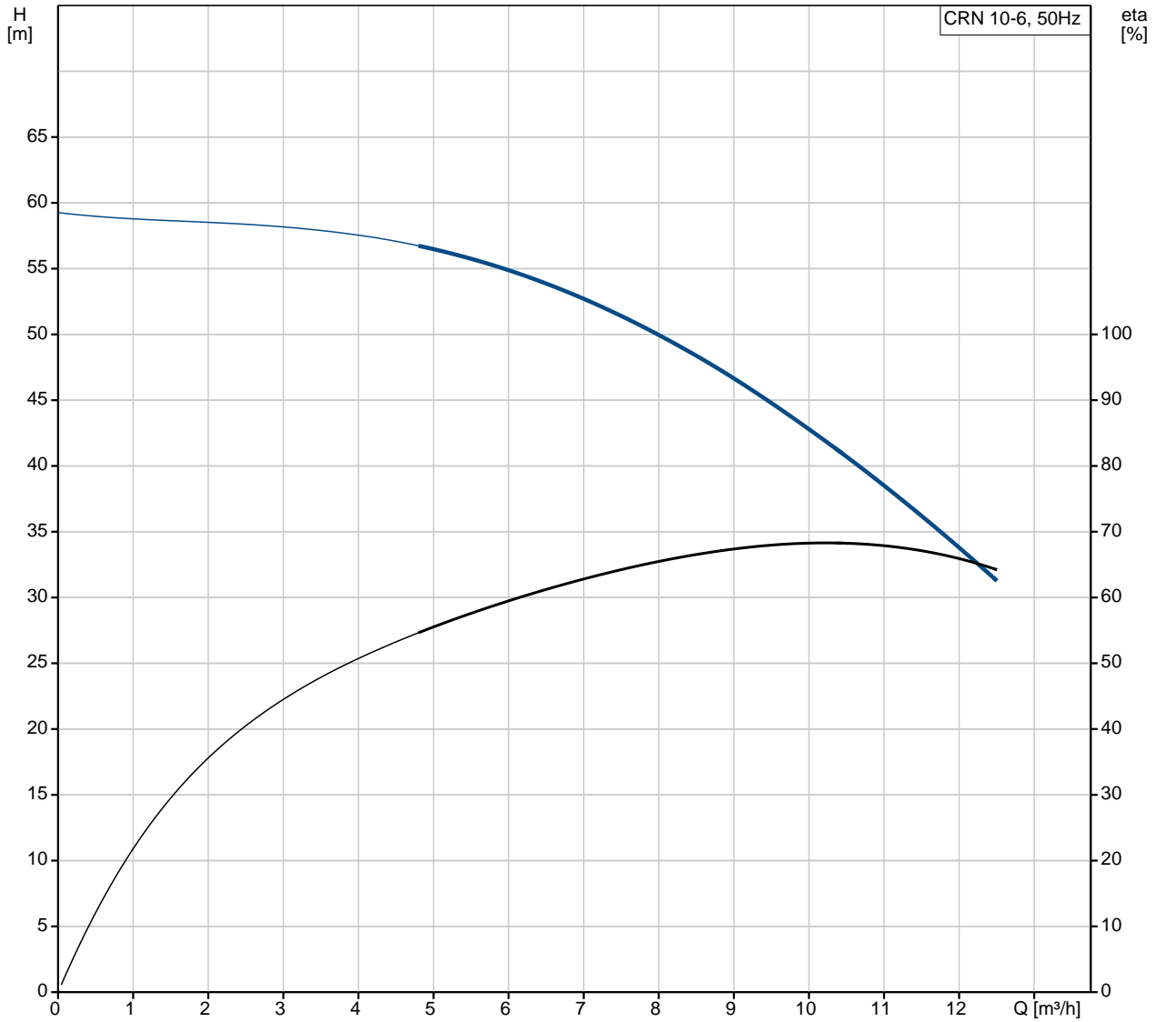


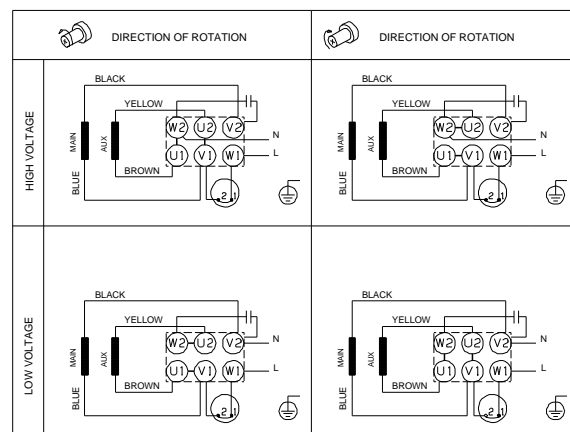
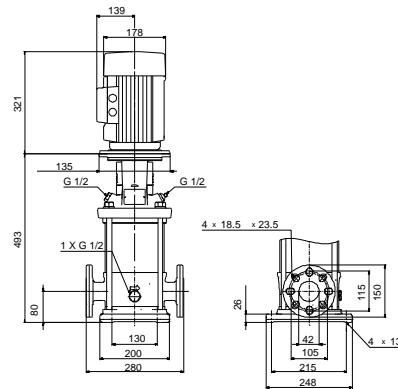
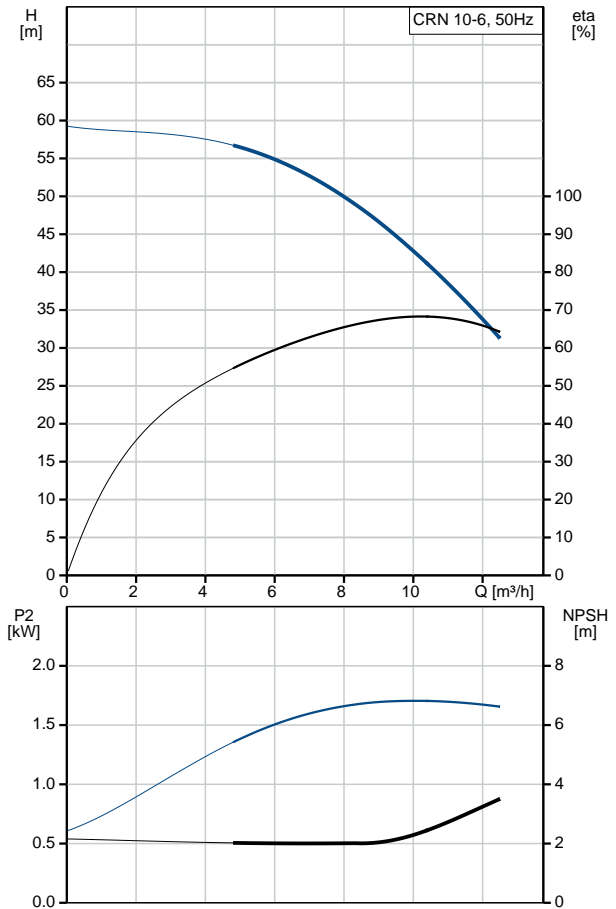
Qty.	Description
1	<p data-bbox="199 336 526 369">CRN 10-6 A-FGJ-H-E-HQQE</p>  <p data-bbox="199 660 470 689">Product No.: 96527736</p> <p data-bbox="199 716 1404 824">Vertical, multistage centrifugal pump with inlet and outlet ports on same the level (inline). Pump materials in contact with the liquid are in high-grade stainless steel. A cartridge shaft seal ensures high reliability, safe handling, and easy access and service. Power transmission is via a rigid split coupling. Pipe connection is via combined DIN-ANSI-JIS flanges.</p> <p data-bbox="199 862 933 891">The pump is fitted with a 1-phase, fan-cooled asynchronous motor.</p> <p data-bbox="199 918 319 947">Controls:</p> <p data-bbox="199 952 638 981">Frequency converter: NONE</p> <p data-bbox="199 1008 287 1037">Liquid:</p> <p data-bbox="199 1041 638 1070">Pumped liquid: Water</p> <p data-bbox="199 1075 710 1104">Liquid temperature range: -20 .. 120 °C</p> <p data-bbox="199 1108 686 1137">Liquid temperature during operation: 20 °C</p> <p data-bbox="199 1142 702 1171">Density: 998.2 kg/m³</p> <p data-bbox="199 1198 327 1227">Technical:</p> <p data-bbox="199 1232 821 1261">Pump speed on which pump data are based: 2730 rpm</p> <p data-bbox="199 1265 654 1294">Rated flow: 10 m³/h</p> <p data-bbox="199 1299 646 1328">Rated head: 42.9 m</p> <p data-bbox="199 1332 646 1361">Pump orientation: Vertical</p> <p data-bbox="199 1366 638 1395">Shaft seal arrangement: Single</p> <p data-bbox="199 1400 638 1429">Code for shaft seal: HQQE</p> <p data-bbox="199 1433 726 1462">Approvals on nameplate: CE, EAC, ACS</p> <p data-bbox="199 1467 766 1496">Curve tolerance: ISO9906:2012 3B</p> <p data-bbox="199 1523 319 1552">Materials:</p> <p data-bbox="199 1556 726 1608">Base: Stainless steel EN 1.4408 AISI 316</p> <p data-bbox="199 1612 726 1697">Impeller: Stainless steel EN 1.4401 AISI 316</p> <p data-bbox="199 1702 606 1731">Bearing: SIC</p> <p data-bbox="199 1758 343 1787">Installation:</p> <p data-bbox="199 1792 630 1821">Maximum ambient temperature: 40 °C</p> <p data-bbox="199 1825 638 1854">Maximum operating pressure: 25 bar</p> <p data-bbox="199 1859 742 1910">Max pressure at stated temp: 25 bar / 120 °C 25 bar / -20 °C</p> <p data-bbox="199 1915 742 1944">Type of connection: DIN / ANSI / JIS</p> <p data-bbox="199 1948 678 2000">Size of inlet connection: DN 40 1 1/2 inch</p> <p data-bbox="199 2004 678 2056">Size of outlet connection: DN 40 1 1/2 inch</p> <p data-bbox="199 2060 686 2089">Pressure rating for pipe connection: PN 25</p> <p data-bbox="199 2094 638 2123">Flange rating inlet: 300 lb</p>

Qty.	Description
	Flange size for motor: FT115
	Electrical data:
	Motor standard: IEC
	Motor type: 90LC
	Rated power - P2: 2.2 kW
	Power (P2) required by pump: 2.2 kW
	Mains frequency: 50 Hz
	Rated voltage: 1 x 220-230/240 V
	Rated current: 14,0-13,6/12,6 A
	Starting current: 330 %
	Cos phi - power factor: 1.00
	Rated speed: 2730/2720 rpm
	Motor efficiency at full load: 75 %
	Number of poles: 2
	Enclosure class (IEC 34-5): 55 Dust/Jetting
	Insulation class (IEC 85): F
	Others:
	Minimum efficiency index, MEI $\hat{\alpha}\%$: 0.70
	Net weight: 53 kg
	Gross weight: 57 kg
	Shipping volume: 0.104 m ³
	Country of origin: GB
	Custom tariff no.: 84137075

96527736 CRN 10-6 A-FGJ-H-E-HQQE 50 Hz



Description	Value
General information:	
Product name:	CRN 10-6 A-FGJ-H-E-HQQE
Product No:	96527736
EAN number:	5700397084731
Price:	2.190,00 GBP
Technical:	
Pump speed on which pump data are based:	2730 rpm
Rated flow:	10 m ³ /h
Rated head:	42.9 m
Head max:	59.5 m
Stages:	6
Impellers:	6
Number of reduced-diameter impellers:	0
Low NPSH:	N
Pump orientation:	Vertical
Shaft seal arrangement:	Single
Code for shaft seal:	HQQE
Approvals on nameplate:	CE, EAC, ACS
Curve tolerance:	ISO9906:2012 3B
Pump version:	A
Model:	A
Materials:	
Base:	Stainless steel EN 1.4408 AISI 316
Impeller:	Stainless steel EN 1.4401 AISI 316
Material code:	H
Code for rubber:	E
Bearing:	SIC
Installation:	
Maximum ambient temperature:	40 °C
Maximum operating pressure:	25 bar
Max pressure at stated temp:	25 bar / 120 °C 25 bar / -20 °C
Type of connection:	DIN / ANSI / JIS
Size of inlet connection:	DN 40 1 1/2 inch
Size of outlet connection:	DN 40 1 1/2 inch
Pressure rating for pipe connection:	PN 25
Flange rating inlet:	300 lb
Flange size for motor:	FT115
Connect code:	FGJ
Liquid:	
Pumped liquid:	Water
Liquid temperature range:	-20 .. 120 °C
Liquid temperature during operation:	20 °C
Density:	998.2 kg/m ³
Electrical data:	
Motor standard:	IEC
Motor type:	90LC
Rated power - P2:	2.2 kW
Power (P2) required by pump:	2.2 kW
Mains frequency:	50 Hz
Rated voltage:	1 x 220-230/240 V





Company name:

Created by:

Phone:

Date: 07/03/2019

Description	Value
Rated current:	14,0-13,6/12,6 A
Starting current:	330 %
Cos phi - power factor:	1.00
Rated speed:	2730/2720 rpm
Motor efficiency at full load:	75 %
Number of poles:	2
Enclosure class (IEC 34-5):	55 Dust/Jetting
Insulation class (IEC 85):	F
Motor protec:	PTO
Motor No:	85215708
Controls:	
Frequency converter:	NONE
Others:	
Minimum efficiency index, MEI η %:	0.70
Net weight:	53 kg
Gross weight:	57 kg
Shipping volume:	0.104 m ³
Sales region:	Great Britain
Country of origin:	GB
Custom tariff no.:	84137075