


Position	Qty.	Description
	1	<p data-bbox="320 338 539 367"><b>GT-H-8 PN10 G1 V</b></p> <div data-bbox="363 421 655 860" style="text-align: center;">  </div> <p data-bbox="711 882 1193 904" style="text-align: center;"><b>Note! Product picture may differ from actual product</b></p> <p data-bbox="320 913 584 943">Product No.: <a href="#">96526321</a></p> <p data-bbox="320 972 1378 1048">Grundfos GT-H-8 PN10 G1 V is a Diaphragm pressure tank, with a capacity of 8.0 l and Vertical installation. The tanks are approved for drinking water. The GT-H-8 PN10 G1 V is designed for a maximum operation pressure of 10 bar and a maximum liquid temperature of 90 °C.</p> <p data-bbox="320 1146 1401 1200">The tank is a steel pressure tank with a non-toxic butyl rubber diaphragm with a precision-moulded polypropylene liner for superior air and water separation.</p> <p data-bbox="320 1384 1449 1509">A pressure tank ensures controlled pressure in the water supply and thereby limits the switching frequency of the pump in case of low water consumption or leakage loss. The result is increased comfort in your installation by limiting the start/stop frequency of your pump, and it increases system comfort by compensating for pressure drops when a tap is opened, while reducing problems with water hammer in the pipework.</p> <p data-bbox="320 1585 746 1639"><b>Liquid:</b> Maximum liquid temperature: 90 °C</p> <p data-bbox="320 1675 804 1729"><b>Technical:</b> Membrane type: Diaphragm</p> <p data-bbox="320 1765 1002 1818"><b>Materials:</b> Material: Carbon steel / Polypropylene</p> <p data-bbox="320 1854 756 1935"><b>Installation:</b> Maximum operating pressure: 10 bar Size: 8.0</p> <p data-bbox="320 1971 785 2087"><b>Others:</b> Net weight: 2.3 kg Gross weight: 2.6 kg Applicat. typ: Standard</p>



Company name:

Created by:

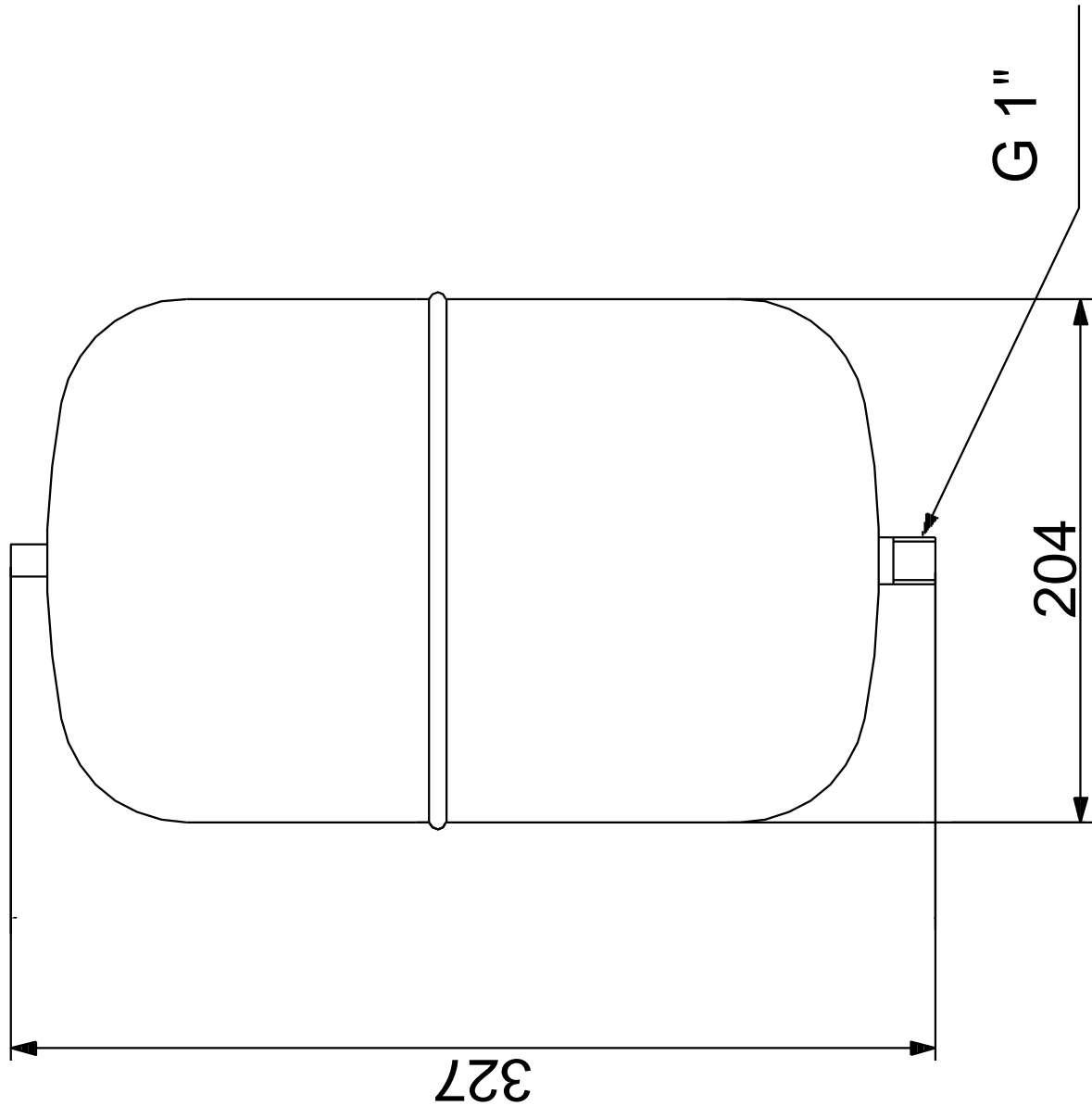
Phone:

Date:

01/11/2018

Description	Value
<b>General information:</b>	
Product name:	GT-H-8 PN10 G1 V
Product No:	<a href="#">96526321</a>
EAN number:	5700397033128
<b>Technical:</b>	
Membrane type:	Diaphragm
<b>Materials:</b>	
Material:	Carbon steel / Polypropylene
<b>Installation:</b>	
Maximum operating pressure:	10 bar
Pre-pressure:	1.9 bar
Installation:	Vertical
Size:	8.0
<b>Liquid:</b>	
Maximum liquid temperature:	90 °C
<b>Others:</b>	
Net weight:	2.3 kg
Gross weight:	2.6 kg
Applicat. typ:	Standard

**96526321 GT-H-8 PN10 G1 V 50 Hz**



Note! All units are in [mm] unless others are stated.  
Disclaimer: This simplified dimensional drawing does not show all details.