


Position	Qty.	Description
	1	<p>TPD 32-200/2 A-F-A-BQQE</p>  <p>Product No.: 96384220</p> <p>Single-stage, close-coupled, volute twin-head pump with in-line suction and discharge ports of identical diameter. The twin-head pump is designed with two parallel power-heads. The pump is of the top-pull-out design, i.e. the power head (motor, pump head and impeller) can be removed for maintenance or service while the pump housing remains in the pipework.</p> <p>Each power head is fitted with an unbalanced rubber bellows seal. The shaft seal is according to EN 12756. Pipework connection is via PN 16 DIN flanges (EN 1092-2 and ISO 7005-2).</p> <p>Each power head is fitted with a fan-cooled asynchronous motor of identical size.</p> <p>Liquid:</p> <p>Pumped liquid: Water Liquid temperature range: -25 .. 120 °C Liquid temperature during operation: 20 °C Density: 998.2 kg/m³</p> <p>Technical:</p> <p>Rated flow: 11 m³/h Rated head: 15 m Actual impeller diameter: 129 mm Primary shaft seal: BQQE Curve tolerance: ISO9906:2012 3B</p> <p>Materials:</p> <p>Pump housing: Cast iron EN-JL1040 ASTM A48-40 B</p> <p>Impeller: Cast iron EN-JL1030 ASTM A48-30 B</p> <p>Installation:</p> <p>Range of ambient temperature: -30 .. 40 °C Maximum operating pressure: 16 bar Flange standard: DIN Pipe connection: DN 32 Pump inlet: DN 32 Pump outlet: DN 32 Pressure rating: PN 16 (@): 340 mm Flange size for motor: FF165</p> <p>Electrical data:</p> <p>Motor type: 90SB Rated power - P2: 2 x 1.1 kW Power (P2) required by pump: 1.1 kW Mains frequency: 50 Hz Rated voltage: 1 x 220-230/240 V</p>



Company name:

Created by:

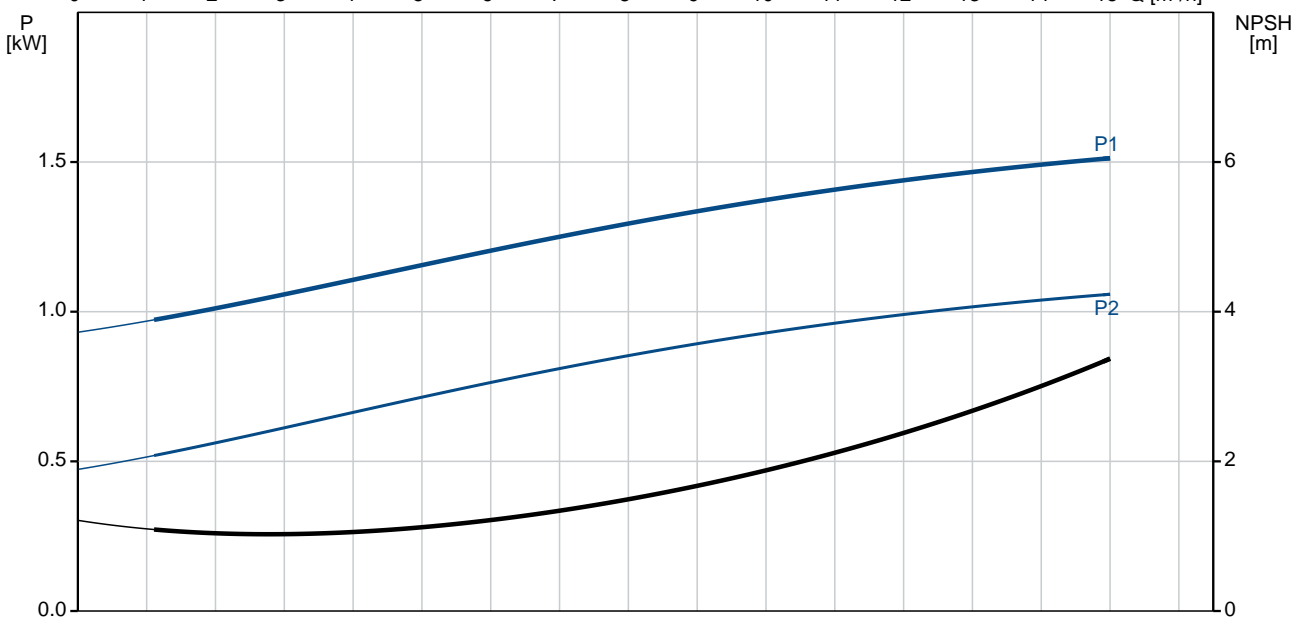
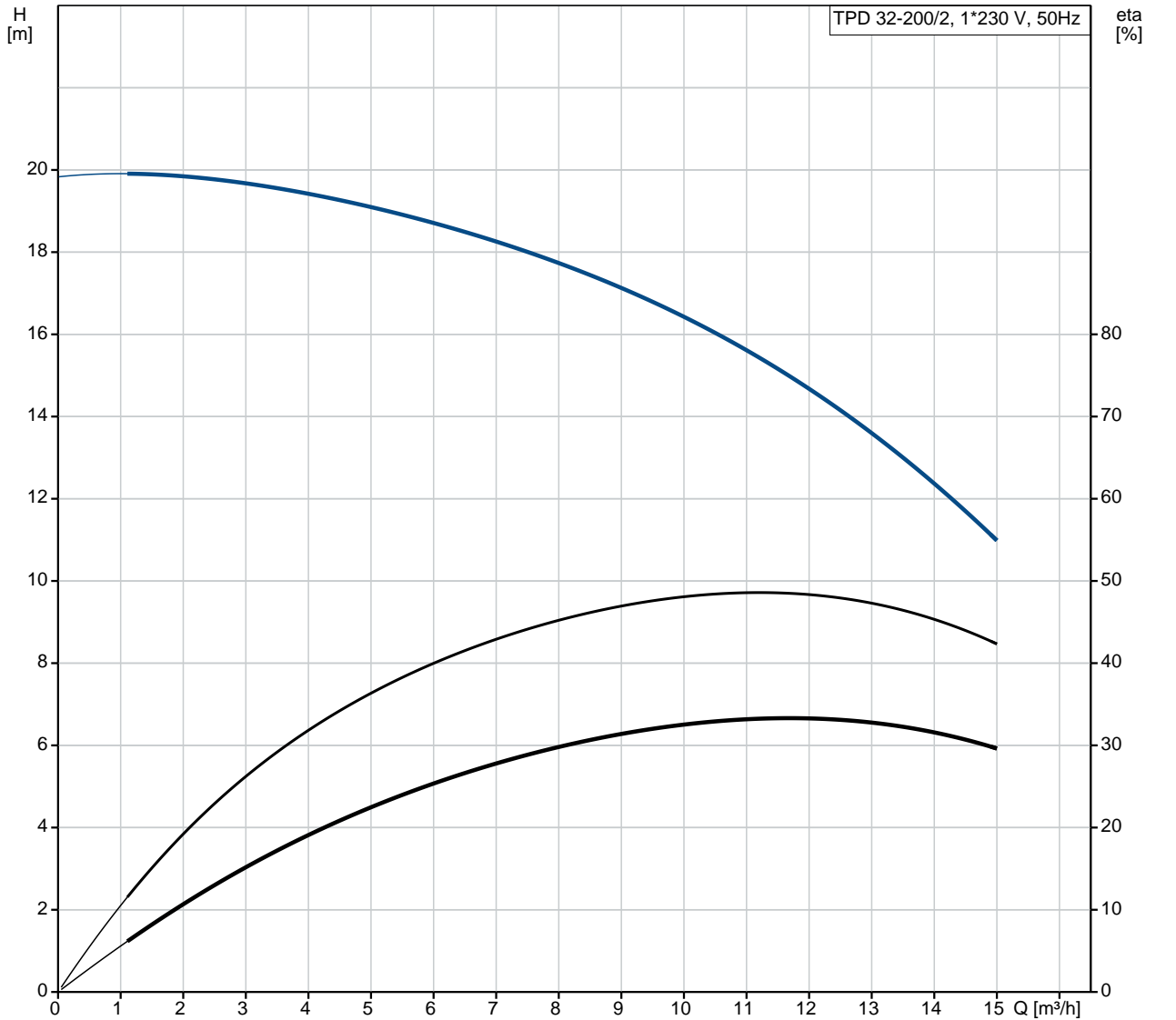
Phone:

Date:

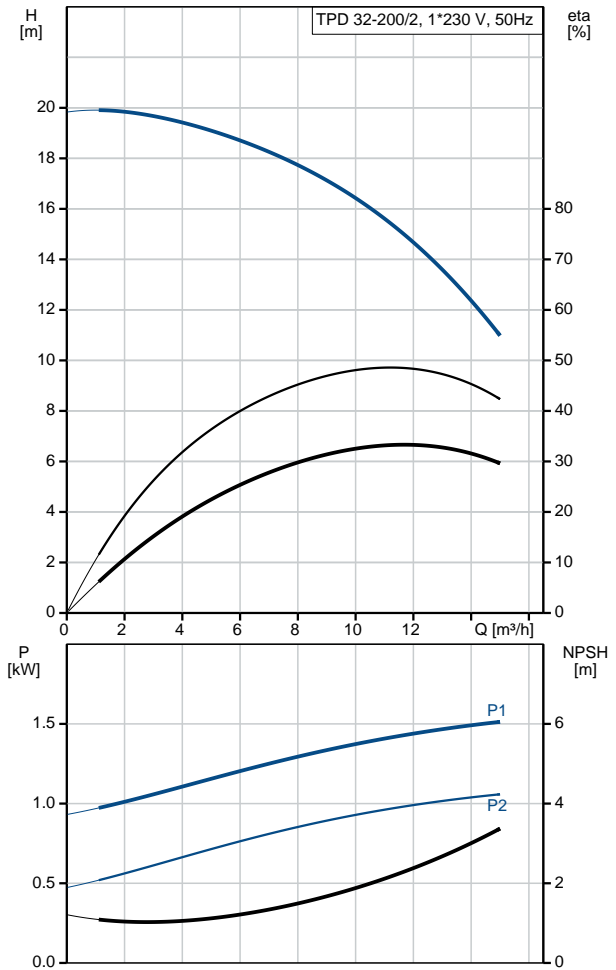
11/10/2018

Position	Qty.	Description
		Rated current: 7.40/6.70 A Starting current: 390 % Cos phi - power factor: 0.98/0.99 Rated speed: 2770 rpm Motor efficiency at full load: 73-71 % Number of poles: 2 Enclosure class (IEC 34-5): 55 Dust/Jetting Insulation class (IEC 85): F Others: Minimum efficiency index, MEI : 0.70 ErP status: EuP Standalone/Prod. Net weight: 89 kg Gross weight: 103 kg Shipping volume: 0.39 m ³ Country of origin: HU Custom tariff no.: 84137065

96384220 TPD 32-200/2 A-F-A-BQQE 50 Hz



Description	Value
General information:	
Product name:	TPD 32-200/2 A-F-A-BQQE
Product No:	96384220
EAN number:	5700832152339
Price:	2.825,00 GBP
Technical:	
Rated flow:	11 m³/h
Rated head:	15 m
Head max:	200 dm
Actual impeller diameter:	129 mm
Primary shaft seal:	BQQE
Curve tolerance:	ISO9906:2012 3B
Pump version:	A
Model:	A
Materials:	
Pump housing:	Cast iron EN-JL1040 ASTM A48-40 B
Impeller:	Cast iron EN-JL1030 ASTM A48-30 B
Material code:	A
Installation:	
Range of ambient temperature:	-30 .. 40 °C
Maximum operating pressure:	16 bar
Flange standard:	DIN
Pipe connection:	DN 32
Pump inlet:	DN 32
Pump outlet:	DN 32
Pressure rating:	PN 16
(@)	340 mm
Flange size for motor:	FF165
Connect code:	F
Liquid:	
Pumped liquid:	Water
Liquid temperature range:	-25 .. 120 °C
Liquid temperature during operation:	20 °C
Density:	998.2 kg/m³
Electrical data:	
Motor type:	90SB
Rated power - P2:	2 x 1.1 kW
Power (P2) required by pump:	1.1 kW
Mains frequency:	50 Hz
Rated voltage:	1 x 220-230/240 V
Rated current:	7.40/6.70 A
Starting current:	390 %
Cos phi - power factor:	0.98/0.99
Rated speed:	2770 rpm
Motor efficiency at full load:	73-71 %
Number of poles:	2
Enclosure class (IEC 34-5):	55 Dust/Jetting
Insulation class (IEC 85):	F
Motor protec:	PTO
Motor No:	87200335
Others:	
Minimum efficiency index, MEI :	0.70
ErP status:	EuP Standalone/Prod.
Net weight:	89 kg





Company name:

Created by:

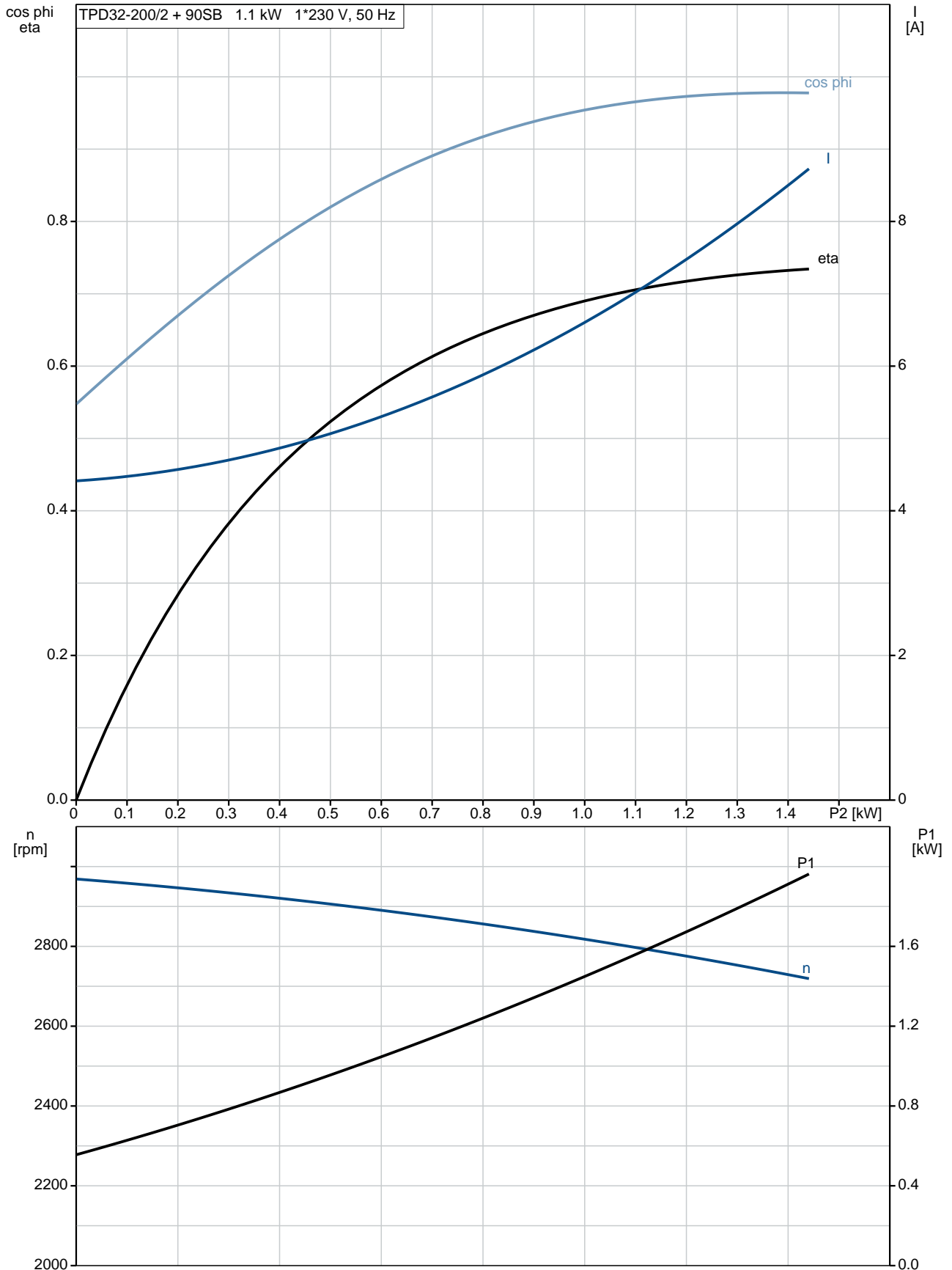
Phone:

Date:

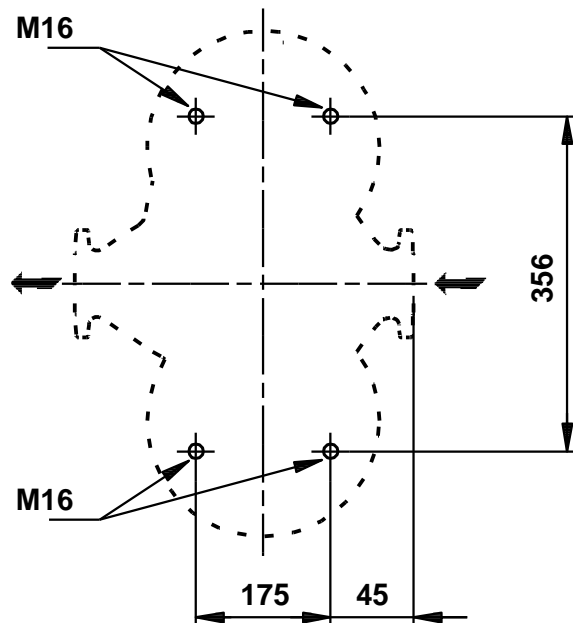
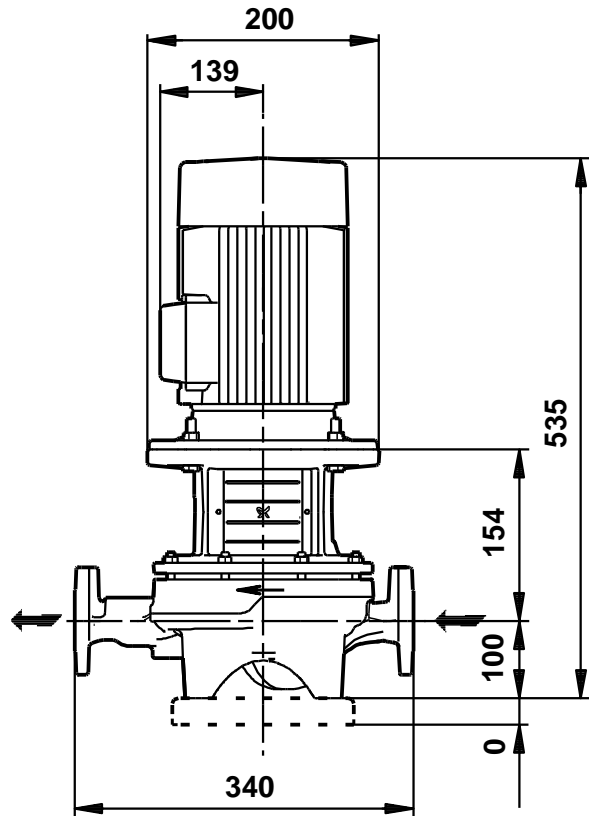
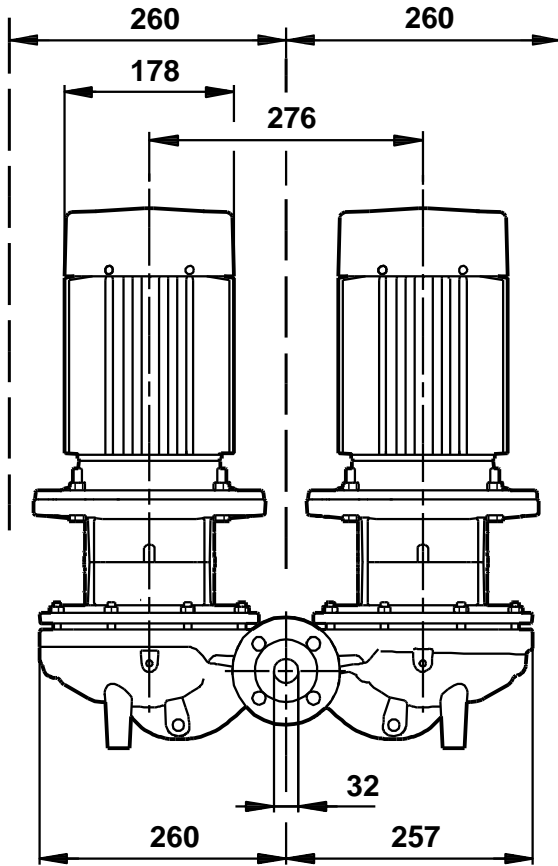
11/10/2018

Description	Value
Gross weight:	103 kg
Shipping volume:	0.39 m ³
Country of origin:	HU
Custom tariff no.:	84137065

96384220 TPD 32-200/2 A-F-A-BQQE 50 Hz

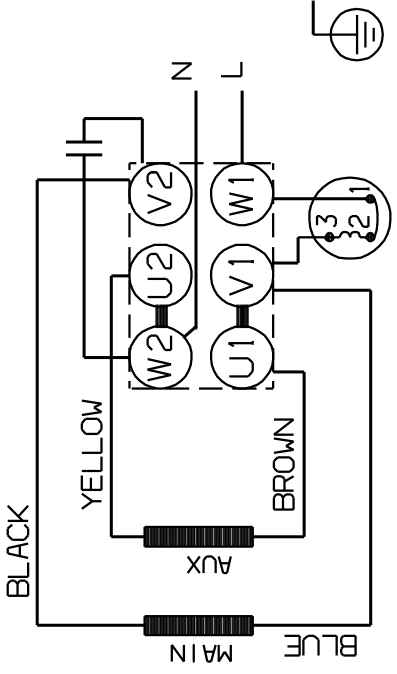
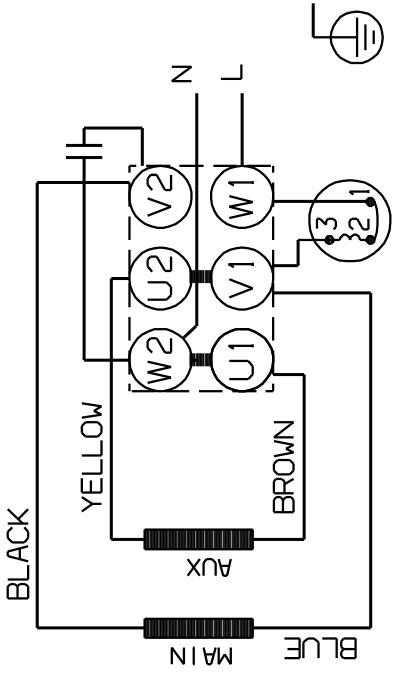
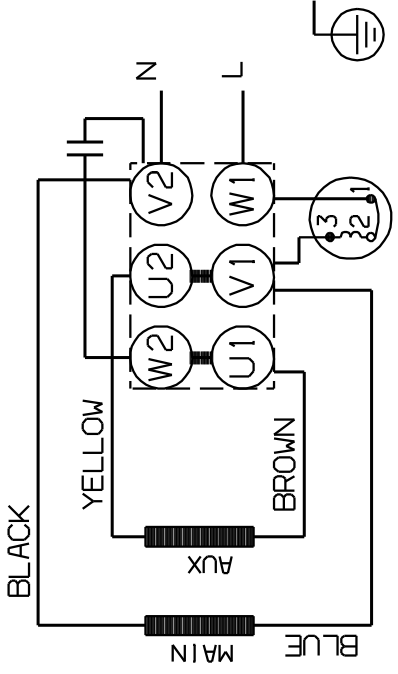
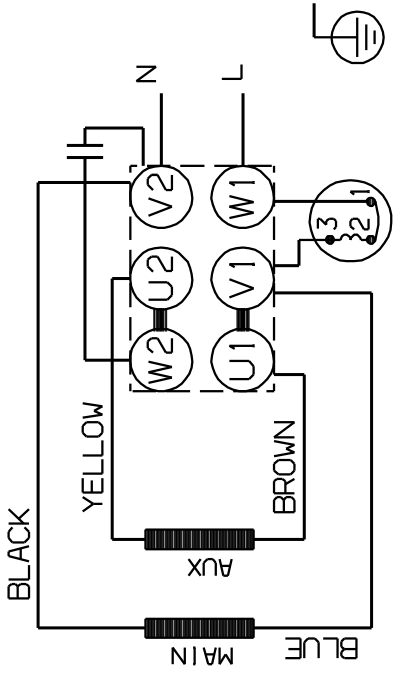


96384220 TPD 32-200/2 A-F-A-BQQE 50 Hz



Note! All units are in [mm] unless others are stated.
Disclaimer: This simplified dimensional drawing does not show all details.

96384220 TPD 32-200/2 A-F-A-BQQE 50 Hz

DIRECTION OF ROTATION	
DIRECTION OF ROTATION	
	
	

Note! All units are in [mm] unless others are stated.