
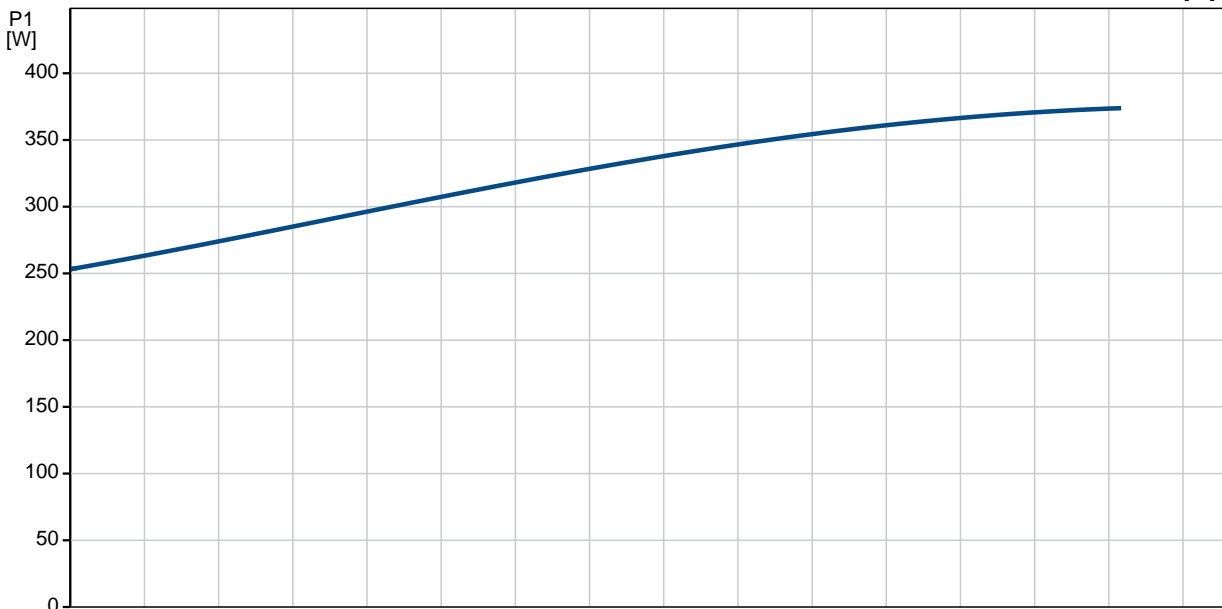
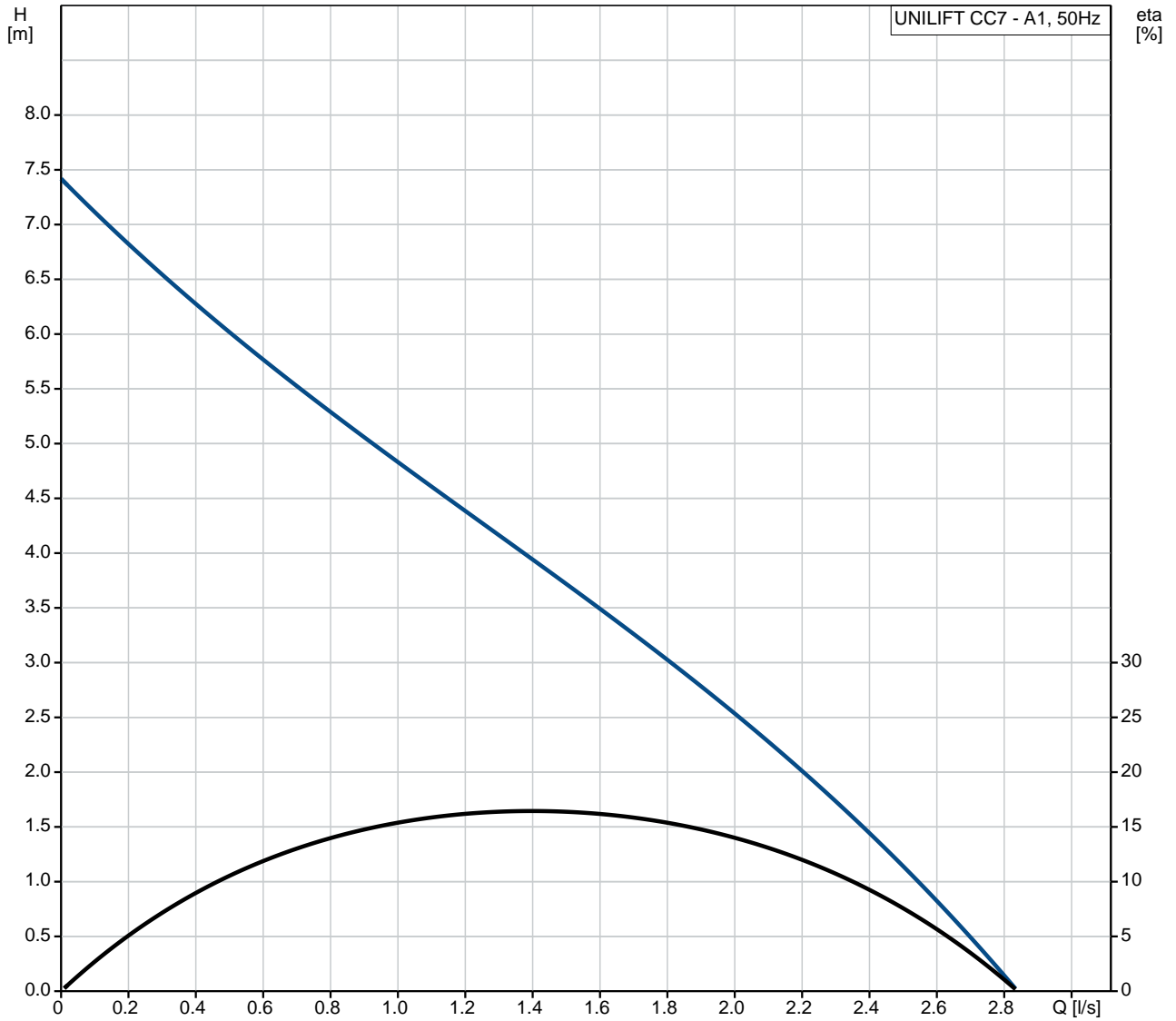


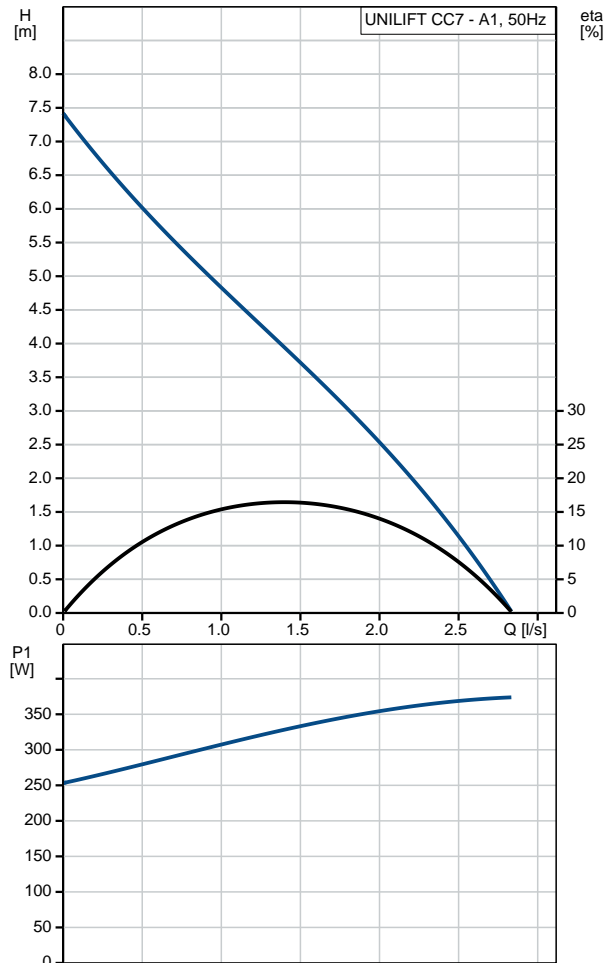
Position	Qty.	Description
	1	<p data-bbox="320 338 526 365">UNILIFT CC7 - A1</p>  <p data-bbox="710 974 1193 996">Note! Product picture may differ from actual product</p> <p data-bbox="320 1008 587 1030">Product No.: 96280980</p> <p data-bbox="320 1064 1455 1115">Grundfos Unilift CC pumps are single-stage submersible pumps with a low suction ability down to 3 mm water level.</p> <p data-bbox="320 1124 1189 1149">The pumps are designed for pumping rainwater and grey wastewater, e.g. from</p> <ul data-bbox="320 1153 1284 1299" style="list-style-type: none"> • washing machines, baths, sinks, etc. from low-lying parts of buildings up to sewer level • cellars or buildings prone to flooding • draining wells • wells for surface water with inlets from roof gutters, pits, tunnels, etc. • swimming pools, ponds or fountains. <p data-bbox="320 1332 981 1357">The pumps are suitable for both stationary and portable use.</p> <p data-bbox="320 1361 686 1386">They are for automatic operation.</p> <p data-bbox="320 1391 949 1415">The pumps allow free passage of particles up to $\varnothing 10$ mm.</p> <p data-bbox="320 1449 1364 1473">The motor incorporates automatic overload protection cutting out the motor in case of overload.</p> <p data-bbox="320 1478 1082 1503">When cooled to normal temperature, the motor restarts automatically.</p> <p data-bbox="320 1538 443 1563">Technical:</p> <p data-bbox="320 1568 758 1592">Maximum particle size: 10 mm</p> <p data-bbox="320 1628 438 1653">Materials:</p> <p data-bbox="320 1657 790 1682">Pump housing: PP 15 GF</p> <p data-bbox="320 1686 829 1711">Impeller: PPOm 20 GF</p> <p data-bbox="320 1747 459 1771">Installation:</p> <p data-bbox="320 1776 742 1800">Pump outlet: 1.1/4"</p> <p data-bbox="320 1805 734 1830">Maximum installation depth: 10 m</p> <p data-bbox="320 1865 406 1890">Liquid:</p> <p data-bbox="320 1895 917 1919">Pumped liquid: Any Newtonian liquid</p> <p data-bbox="320 1924 790 1948">Liquid temperature range: 0 .. 40 °C</p> <p data-bbox="320 1953 813 1977">Density: 998.2 kg/m³</p> <p data-bbox="320 2013 497 2038">Electrical data:</p> <p data-bbox="320 2042 750 2067">Mains frequency: 50 Hz</p> <p data-bbox="320 2072 837 2096">Rated voltage: 1 x 220-240 V</p>

Position	Qty.	Description
		Rated current: 1.8 A Capacitor size - run: 8 μ F/450 V Enclosure class (IEC 34-5): IP68 Insulation class (IEC 85): F Length of cable: 10 m Type of cable plug: GB
		Others: Net weight: 5.27 kg Gross weight: 6.03 kg Shipping volume: 16.8 m ³

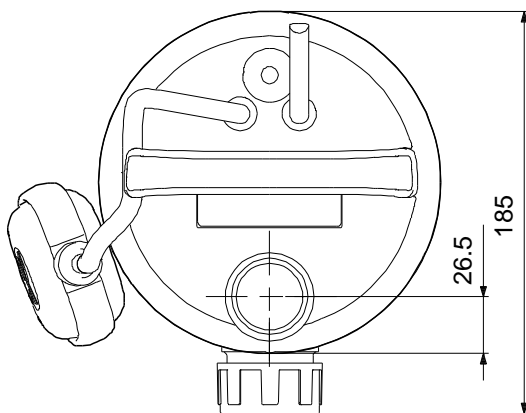
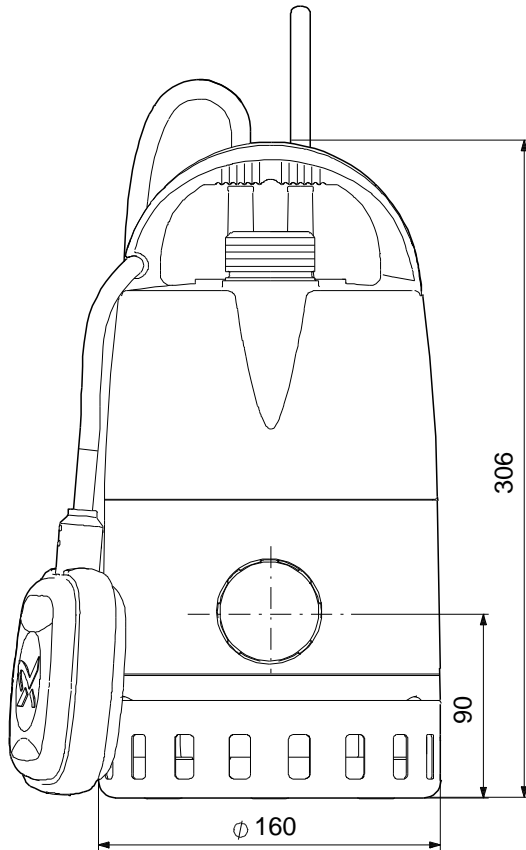
96280980 UNILIFT CC7 - A1 50 Hz



Description	Value
General information:	
Product name:	UNILIFT CC7 - A1
Product No:	96280980
EAN number:	5700830812082
Technical:	
Max flow:	2.78 l/s
Head max:	7 m
Maximum particle size:	10 mm
Materials:	
Pump housing:	PP 15 GF
Impeller:	PPOm 20 GF
Installation:	
Pump outlet:	1.1/4"
Maximum installation depth:	10 m
Liquid:	
Pumped liquid:	Any Newtonian liquid
Liquid temperature range:	0 .. 40 °C
Density:	998.2 kg/m ³
Electrical data:	
Mains frequency:	50 Hz
Rated voltage:	1 x 220-240 V
Rated current:	1.8 A
Capacitor size - run:	8 µF/450 V
Enclosure class (IEC 34-5):	IP68
Insulation class (IEC 85):	F
Motor protec:	YES
Length of cable:	10 m
Type of cable plug:	GB
Controls:	
Level switch:	float switch
Others:	
Net weight:	5.27 kg
Gross weight:	6.03 kg
Shipping volume:	16.8 m ³



96280980 UNILIFT CC7 - A1 50 Hz



Note! All units are in [mm] unless others are stated.
Disclaimer: This simplified dimensional drawing does not show all details.

96280980 UNILIFT CC7 - A1 50 Hz



Note! All units are in [mm] unless others are stated.