
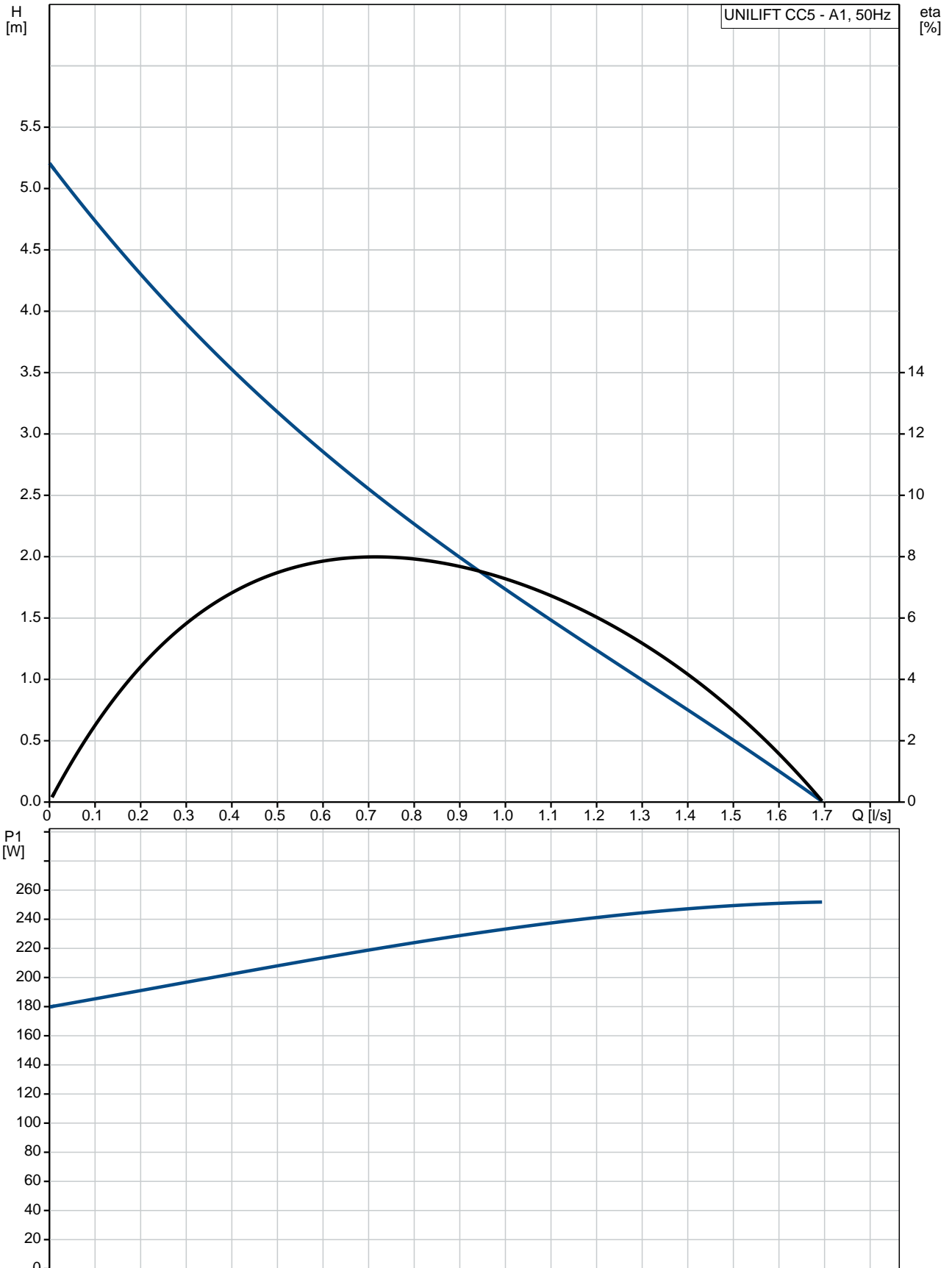


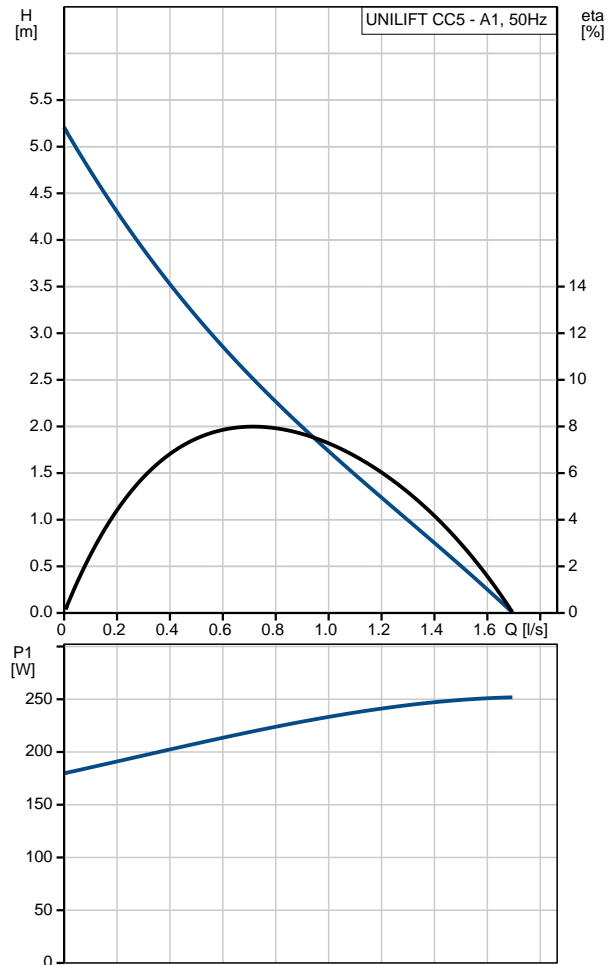
Position	Qty.	Description
	1	<p><b>UNILIFT CC5 - A1</b></p>  <p>Note! Product picture may differ from actual product</p> <p>Product No.: <a href="#">96280978</a></p> <p>Grundfos Unilift CC pumps are single-stage submersible pumps with a low suction ability down to 3 mm water level.</p> <p>The pumps are designed for pumping rainwater and grey wastewater, e.g. from</p> <ul style="list-style-type: none"> <li>• washing machines, baths, sinks, etc. from low-lying parts of buildings up to sewer level</li> <li>• cellars or buildings prone to flooding</li> <li>• draining wells</li> <li>• wells for surface water with inlets from roof gutters, pits, tunnels, etc.</li> <li>• swimming pools, ponds or fountains.</li> </ul> <p>The pumps are suitable for both stationary and portable use. They are for automatic operation. The pumps allow free passage of particles up to <math>\varnothing 10</math> mm.</p> <p>The motor incorporates automatic overload protection cutting out the motor in case of overload. When cooled to normal temperature, the motor restarts automatically.</p> <p><b>Technical:</b> Maximum particle size: 10 mm</p> <p><b>Materials:</b> Pump housing: PP 15 GF Impeller: PPOm 20 GF</p> <p><b>Installation:</b> Pump outlet: 1.1/4" Maximum installation depth: 10 m</p> <p><b>Liquid:</b> Pumped liquid: Any Newtonian liquid Liquid temperature range: 0 .. 40 °C Density: 998.2 kg/m<sup>3</sup></p> <p><b>Electrical data:</b> Mains frequency: 50 Hz Rated voltage: 1 x 220-240 V</p>

Position	Qty.	Description
		Rated current: 0.98 A Capacitor size - run: 4 $\mu$ F/450 V Enclosure class (IEC 34-5): IP68 Insulation class (IEC 85): B Length of cable: 5 m Type of cable plug: GB
		<b>Others:</b> Net weight: 4.51 kg Gross weight: 5.27 kg Shipping volume: 16.8 m <sup>3</sup>

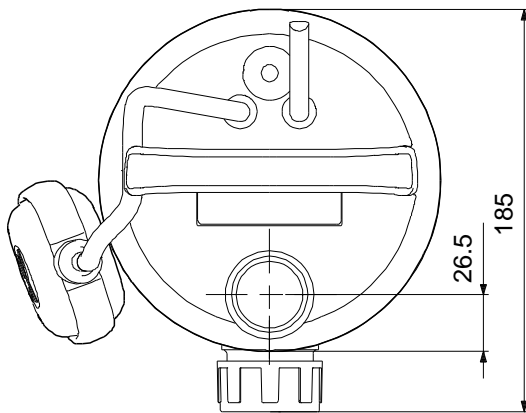
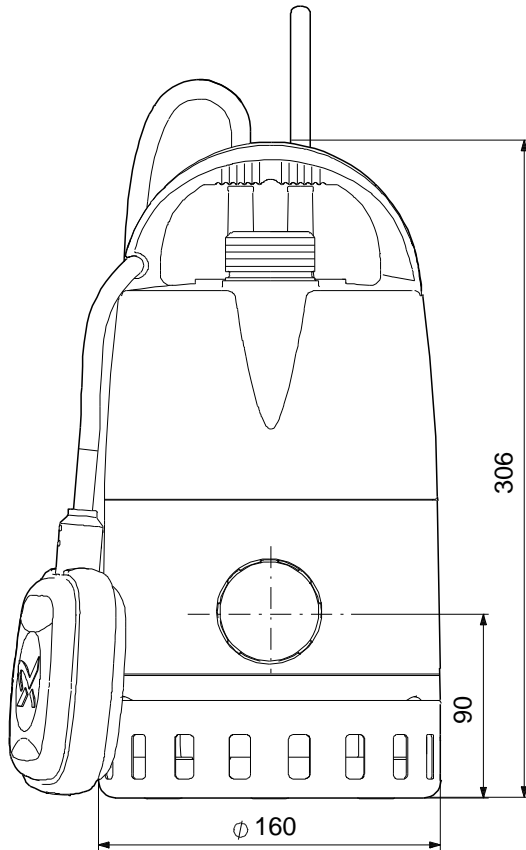
## 96280978 UNILIFT CC5 - A1 50 Hz



Description	Value
<b>General information:</b>	
Product name:	UNILIFT CC5 - A1
Product No:	96280978
EAN number:	5700830812068
<b>Technical:</b>	
Max flow:	1.67 l/s
Head max:	5 m
Maximum particle size:	10 mm
<b>Materials:</b>	
Pump housing:	PP 15 GF
Impeller:	PPOm 20 GF
<b>Installation:</b>	
Pump outlet:	1.1/4"
Maximum installation depth:	10 m
<b>Liquid:</b>	
Pumped liquid:	Any Newtonian liquid
Liquid temperature range:	0 .. 40 °C
Density:	998.2 kg/m³
<b>Electrical data:</b>	
Mains frequency:	50 Hz
Rated voltage:	1 x 220-240 V
Rated current:	0.98 A
Capacitor size - run:	4 µF/450 V
Enclosure class (IEC 34-5):	IP68
Insulation class (IEC 85):	B
Motor protec:	YES
Length of cable:	5 m
Type of cable plug:	GB
<b>Controls:</b>	
Level switch:	float switch
<b>Others:</b>	
Net weight:	4.51 kg
Gross weight:	5.27 kg
Shipping volume:	16.8 m³



## 96280978 UNILIFT CC5 - A1 50 Hz



Note! All units are in [mm] unless others are stated.  
Disclaimer: This simplified dimensional drawing does not show all details.

**96280978 UNILIFT CC5 - A1 50 Hz**



Note! All units are in [mm] unless others are stated.