
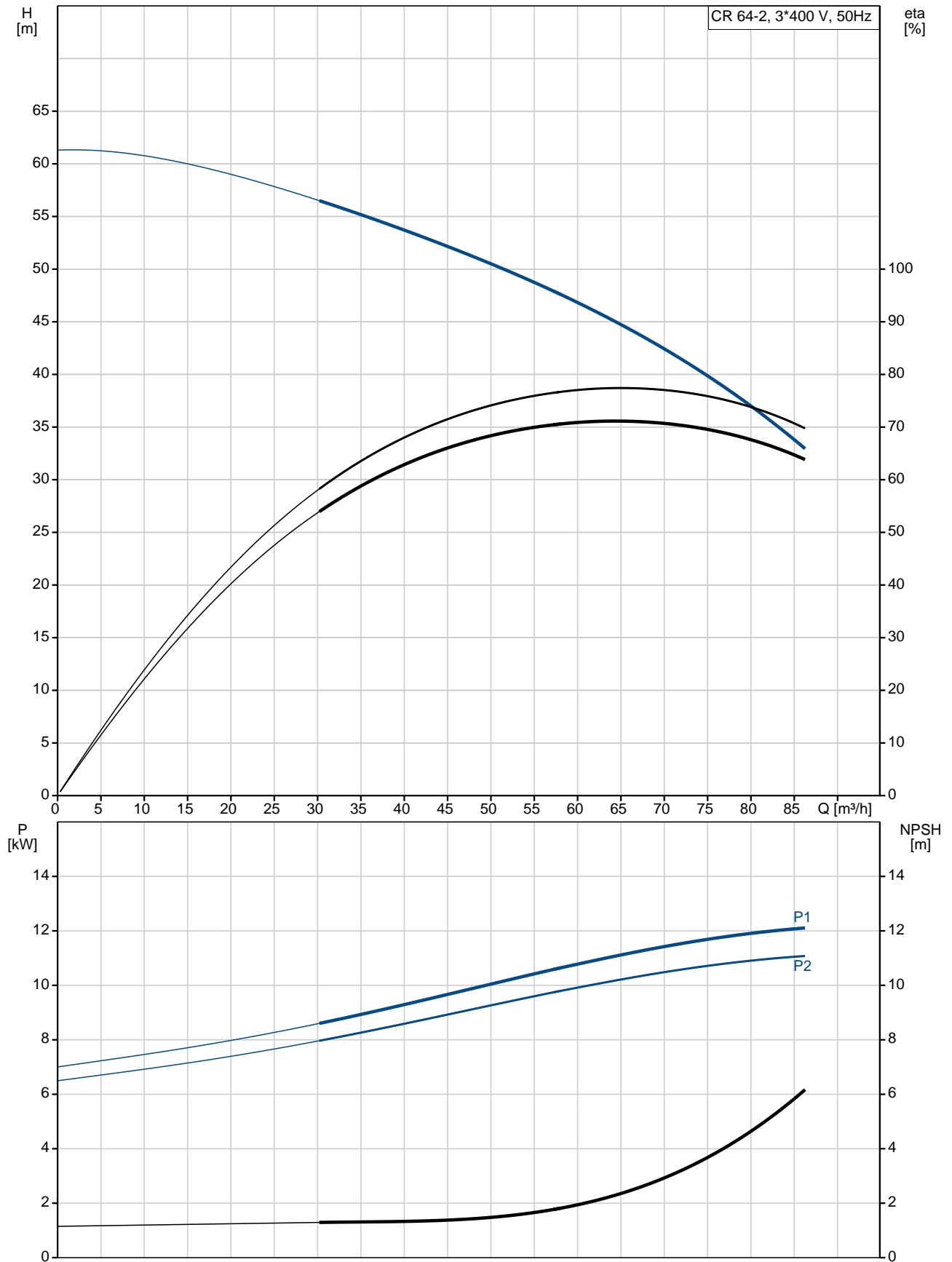


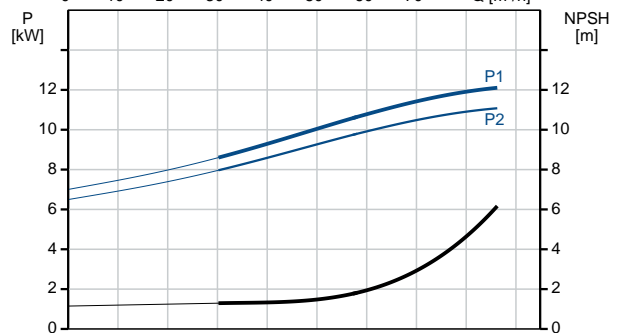
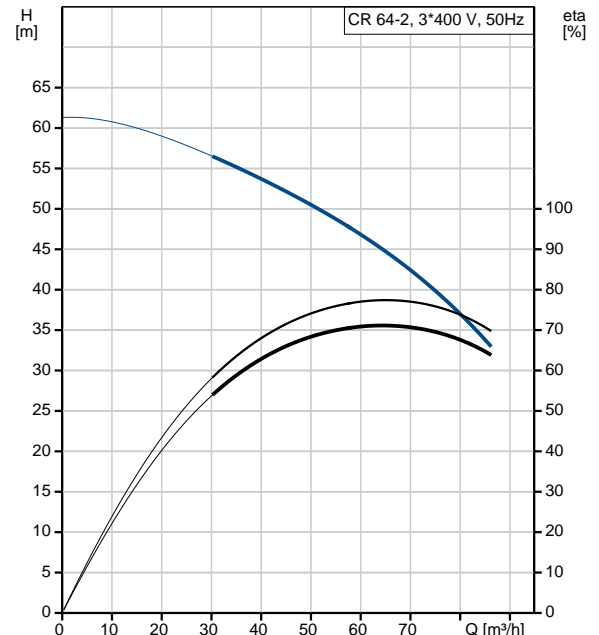
Position	Qty.	Description
	1	<p><b>CR 64-2 A-F-A-V-HQQV</b></p>  <p>Product No.: <a href="#">96123552</a></p> <p>Vertical, multistage centrifugal pump with suction and discharge ports on same the level (in-line) enabling installation in a horizontal one-pipe system. The pump head and base are in cast iron – all other wetted parts are in stainless steel. A cartridge shaft seal ensures high reliability, safe handling and easy service and access. Power transmission is via a rigid split coupling. Pipework connection is via DIN flanges.</p> <p>The pump is fitted with a 3-phase, fan-cooled asynchronous motor.</p> <p><b>Liquid:</b>  Pumped liquid: Water  Liquid temperature range: -20 .. 90 °C  Liquid temperature during operation: 20 °C  Density: 998.2 kg/m<sup>3</sup></p> <p><b>Technical:</b>  Rated flow: 64 m<sup>3</sup>/h  Rated head: 44.3 m  Pump orientation: Vertical  Shaft seal arrangement: Single  Code for shaft seal: HQQV  Approvals on nameplate: CE, EAC  Curve tolerance: ISO9906:2012 3B</p> <p><b>Materials:</b>  Base: Cast iron  EN 1563 EN-GJS-500-7  ASTM A536 80-55-06  Impeller: Stainless steel  EN 1.4301  AISI 304  Bearing: SIC  Support bearing: Graflon</p> <p><b>Installation:</b>  Maximum ambient temperature: 60 °C  Maximum operating pressure: 16 bar  Max pressure at stated temp: 16 bar / 90 °C  16 bar / -20 °C  Type of connection: DIN  Size of inlet connection: DN 100  Size of outlet connection: DN 100  Pressure rating for pipe connection: PN 16  Flange size for motor: FF300</p> <p><b>Electrical data:</b>  Motor standard: IEC</p>

Position	Qty.	Description
		<p>Motor type: 160MB</p> <p>IE Efficiency class: IE3</p> <p>Rated power - P2: 11 kW</p> <p>Power (P2) required by pump: 11 kW</p> <p>Mains frequency: 50 Hz</p> <p>Rated voltage: 3 x 380-415D/660-690Y V</p> <p>Rated current: 20,8-19,8/12,0-11,8 A</p> <p>Starting current: 660-780 %</p> <p>Cos phi - power factor: 0.88-0.84</p> <p>Rated speed: 2940-2950 rpm</p> <p>Efficiency: IE3 91,2%</p> <p>Motor efficiency at full load: 91.2-91.2 %</p> <p>Motor efficiency at 3/4 load: 91.8 %</p> <p>Motor efficiency at 1/2 load: 91.3 %</p> <p>Number of poles: 2</p> <p>Enclosure class (IEC 34-5): 55 Dust/Jetting</p> <p>Insulation class (IEC 85): F</p> <p><b>Controls:</b></p> <p>Frequency converter: NONE</p> <p><b>Others:</b></p> <p>Minimum efficiency index, MEI : 0.7</p> <p>Net weight: 162 kg</p> <p>Gross weight: 195 kg</p> <p>Shipping volume: 0.495 m<sup>3</sup></p> <p>Country of origin: GB</p> <p>Custom tariff no.: 84137075</p>

## 96123552 CR 64-2 A-F-A-V-HQQV 50 Hz



Description	Value
<b>General information:</b>	
Product name:	CR 64-2 A-F-A-V-HQQV
Product No:	96123552
EAN number:	5700396697628
Price:	3.934,00 GBP
<b>Technical:</b>	
Rated flow:	64 m <sup>3</sup> /h
Rated head:	44.3 m
Stages:	2
Impellers:	2
Low NPSH:	N
Pump orientation:	Vertical
Shaft seal arrangement:	Single
Code for shaft seal:	HQQV
Approvals on nameplate:	CE, EAC
Curve tolerance:	ISO9906:2012 3B
Pump version:	A
Model:	B
<b>Materials:</b>	
Base:	Cast iron
	EN 1563 EN-GJS-500-7
	ASTM A536 80-55-06
Impeller:	Stainless steel
	EN 1.4301
	AISI 304
Material code:	A
Code for rubber:	V
Bearing:	SIC
Support bearing:	Graflon
<b>Installation:</b>	
Maximum ambient temperature:	60 °C
Maximum operating pressure:	16 bar
Max pressure at stated temp:	16 bar / 90 °C
	16 bar / -20 °C
Type of connection:	DIN
Size of inlet connection:	DN 100
Size of outlet connection:	DN 100
Pressure rating for pipe connection:	PN 16
Flange size for motor:	FF300
Connect code:	F
<b>Liquid:</b>	
Pumped liquid:	Water
Liquid temperature range:	-20 .. 90 °C
Liquid temperature during operation:	20 °C
Density:	998.2 kg/m <sup>3</sup>
<b>Electrical data:</b>	
Motor standard:	IEC
Motor type:	160MB
IE Efficiency class:	IE3
Rated power - P2:	11 kW
Power (P2) required by pump:	11 kW
Mains frequency:	50 Hz
Rated voltage:	3 x 380-415D/660-690Y V
Rated current:	20,8-19,8/12,0-11,8 A
Starting current:	660-780 %
Cos phi - power factor:	0.88-0.84
Rated speed:	2940-2950 rpm
Efficiency:	IE3 91,2%





Company name:

Created by:

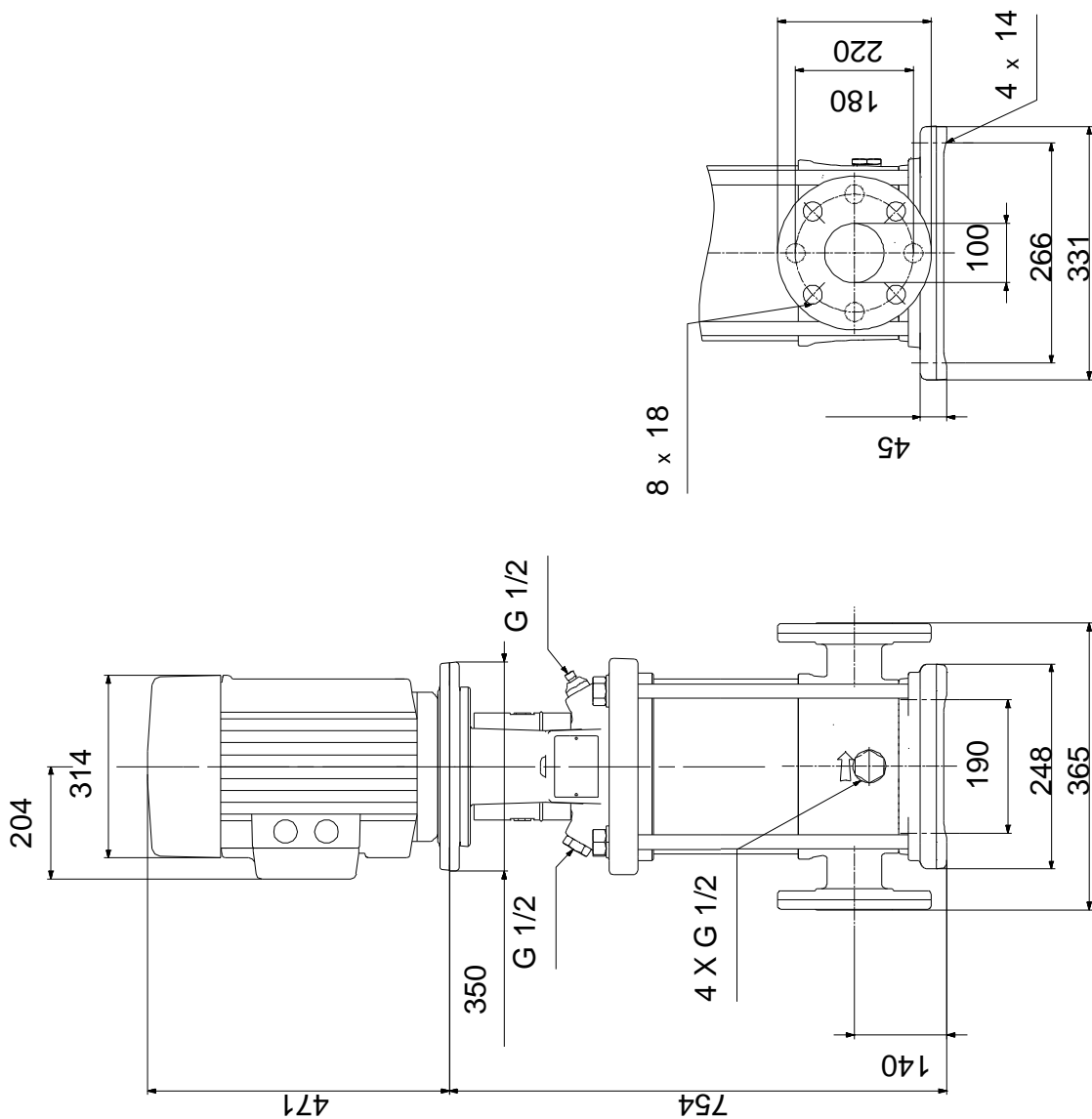
Phone:

Date:

12/09/2018

Description	Value
Motor efficiency at full load:	91.2-91.2 %
Motor efficiency at 3/4 load:	91.8 %
Motor efficiency at 1/2 load:	91.3 %
Number of poles:	2
Enclosure class (IEC 34-5):	55 Dust/Jetting
Insulation class (IEC 85):	F
Motor protec:	PTC
Motor No:	85U17524
<b>Controls:</b>	
Frequency converter:	NONE
<b>Others:</b>	
Minimum efficiency index, MEI :	0.7
Net weight:	162 kg
Gross weight:	195 kg
Shipping volume:	0.495 m <sup>3</sup>
Country of origin:	GB
Custom tariff no.:	84137075

**96123552 CR 64-2 A-F-A-V-HQQV 50 Hz**



Note! All units are in [mm] unless others are stated.  
 Disclaimer: This simplified dimensional drawing does not show all details.

## 96123552 CR 64-2 A-F-A-V-HQQV 50 Hz



Note! All units are in [mm] unless others are stated.