


Position	Count	Description
	1	<p>CR 64-1-1 A-F-A-V-HQQV</p>  <p>Product No.: 96123548</p> <p>Vertical, multistage centrifugal pump with inlet and outlet ports on same the level (inline). The pump head and base are in cast iron – all other wetted parts are in stainless steel. A cartridge shaft seal ensures high reliability, safe handling, and easy access and service. Power transmission is via a rigid split coupling. Pipe connection is via DIN flanges.</p> <p>The pump is fitted with a 3-phase, fan-cooled asynchronous motor.</p> <p>Liquid: Pumped liquid: Water Liquid temperature range: -4 .. 194 °F Liquid temperature during operation: 68 °F Density: 62.29 lb/ft³</p> <p>Technical: Rated flow: 282 US gpm Rated head: 46.59 ft Pump orientation: Vertical Shaft seal arrangement: Single Code for shaft seal: HQQV Approvals on nameplate: CE, EAC Curve tolerance: ISO9906:2012 3B</p> <p>Materials: Base: Cast iron EN 1563 EN-GJS-500-7 ASTM A536 80-55-06 Impeller: Stainless steel EN 1.4301 AISI 304 Bearing: SIC Support bearing: Graflon</p> <p>Installation: Maximum ambient temperature: 140 °F Maximum operating pressure: 232 psi Max pressure at stated temperature: 232 psi / 194 °F 232 psi / -4 °F Type of connection: DIN Size of inlet connection: DN 100 Size of outlet connection: DN 100 Pressure rating for pipe connection: PN 16 Flange size for motor: FT130</p> <p>Electrical data: Motor standard: IEC Motor type: 112MC</p>



Company name:

Created by:

Phone:

Date:

9/25/2018

Position	Count	Description
		IE Efficiency class: IE3
		Rated power - P2: 5.5 HP
		Power (P2) required by pump: 5.5 HP
		Main frequency: 50 Hz
		Rated voltage: 3 x 380-415D V
		Rated current: 7.9 A
		Starting current: 1000-1110 %
		Cos phi - power factor: 0.87-0.87
		Rated speed: 2920-2940 rpm
		IE efficiency: IE3 88,1%
		Motor efficiency at full load: 88.1 %
		Motor efficiency at 3/4 load: 88.6 %
		Motor efficiency at 1/2 load: 85.2 %
		Number of poles: 2
		Enclosure class (IEC 34-5): 55 Dust/Jetting
		Insulation class (IEC 85): F
		Controls:
		Frequency converter: NONE
		Others:
		Minimum efficiency index, MEI : 0.7
		Net weight: 211 lb
		Gross weight: 261 lb
		Shipping volume: 10.9 ft ³



Company name:

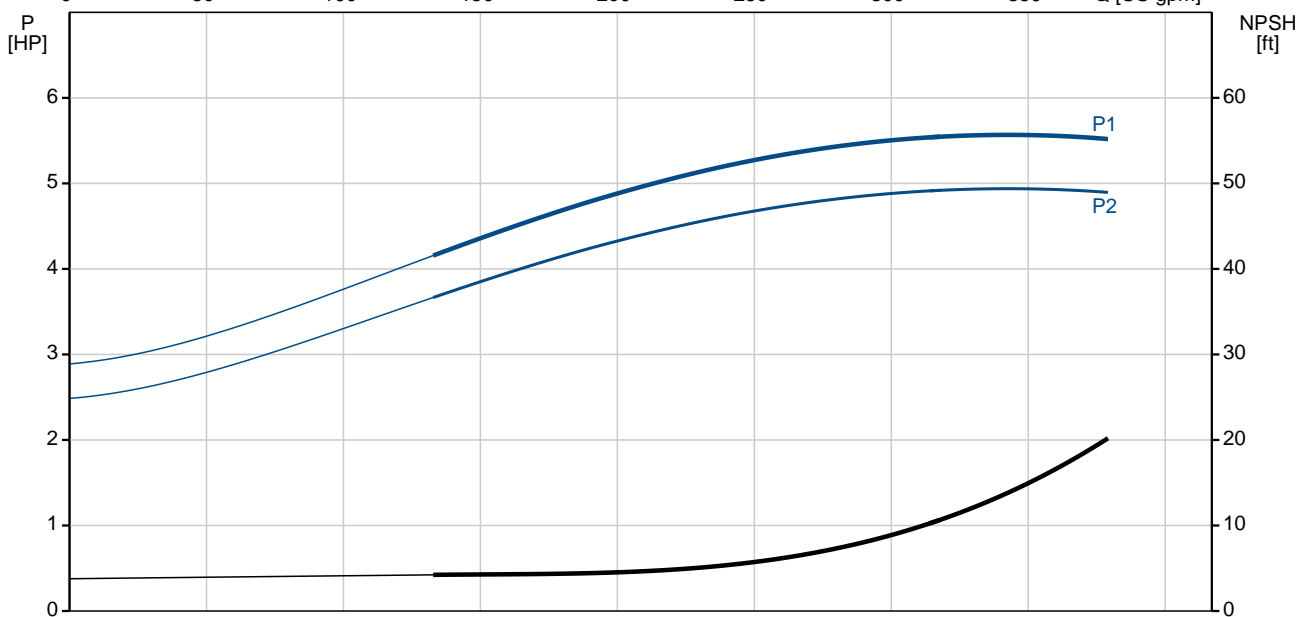
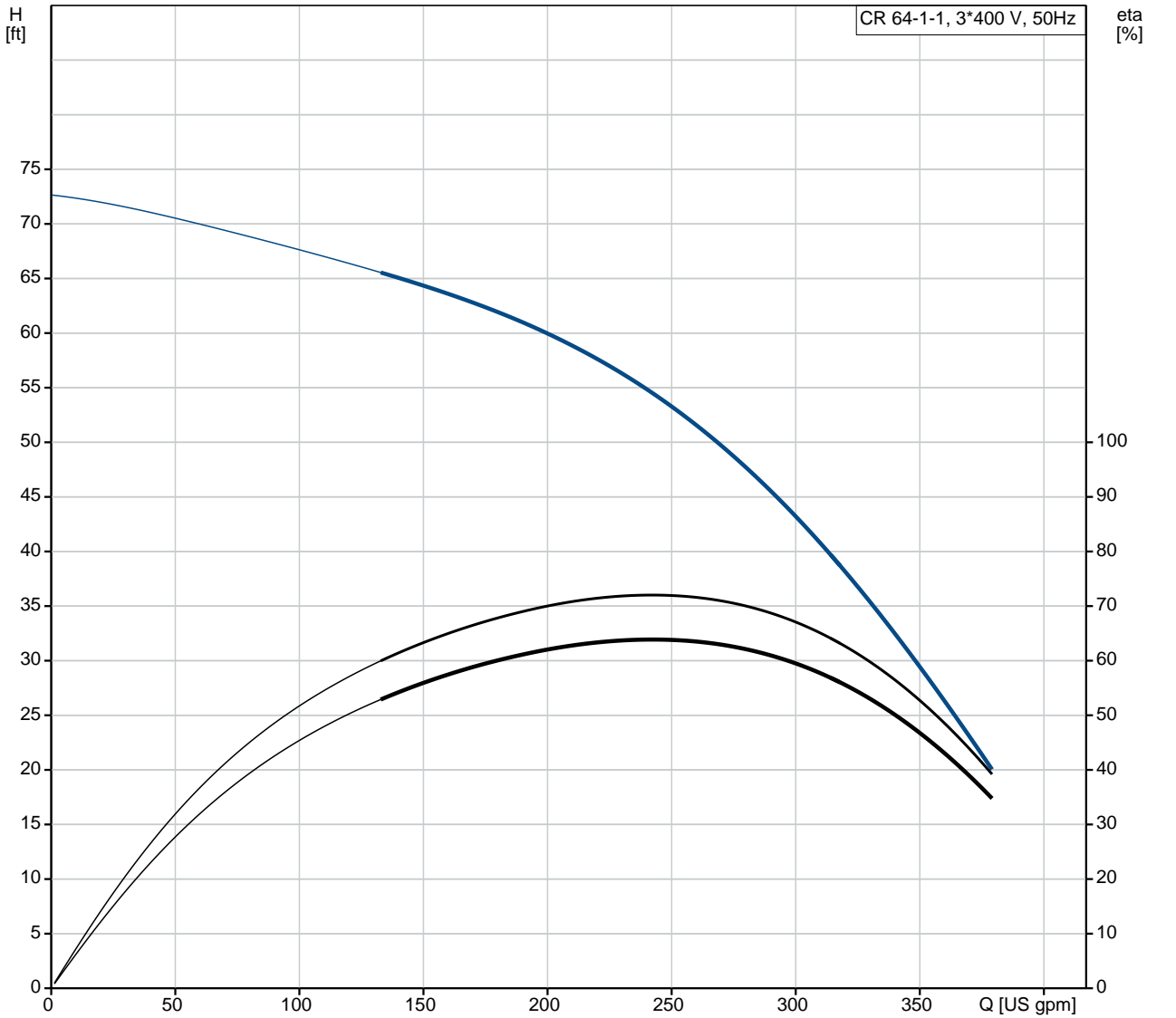
Created by:

Phone:

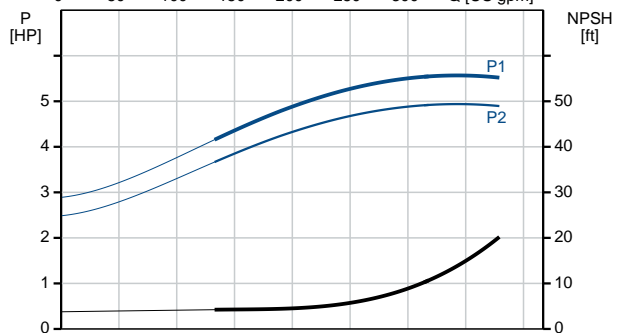
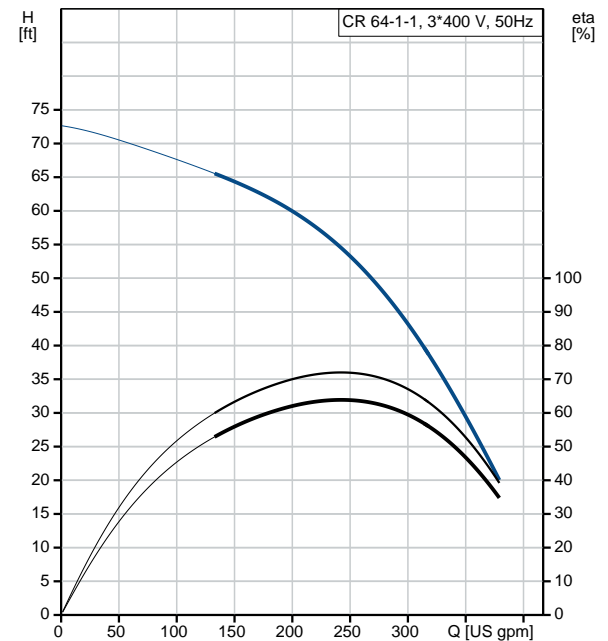
Date:

9/25/2018

96123548 CR 64-1-1 A-F-A-V-HQQV 50 Hz



Description	Value
General information:	
Product name:	CR 64-1-1 A-F-A-V-HQQV
Product No.:	96123548
EAN:	5700396697581
Technical:	
Rated flow:	282 US gpm
Rated head:	46.59 ft
Stages:	1
Impellers:	1
Number of reduced-diameter impellers:	1
Low NPSH:	N
Pump orientation:	Vertical
Shaft seal arrangement:	Single
Code for shaft seal:	HQQV
Approvals on nameplate:	CE, EAC
Curve tolerance:	ISO9906:2012 3B
Pump version:	A
Model:	B
Materials:	
Base:	Cast iron
	EN 1563 EN-GJS-500-7
	ASTM A536 80-55-06
Impeller:	Stainless steel
	EN 1.4301
	AISI 304
Material code:	A
Code for rubber:	V
Bearing:	SIC
Support bearing:	Graflon
Installation:	
Maximum ambient temperature:	140 °F
Maximum operating pressure:	232 psi
Max pressure at stated temperature:	232 psi / 194 °F
	232 psi / -4 °F
Type of connection:	DIN
Size of inlet connection:	DN 100
Size of outlet connection:	DN 100
Pressure rating for pipe connection:	PN 16
Flange size for motor:	FT130
Connect code:	F
Liquid:	
Pumped liquid:	Water
Liquid temperature range:	-4 .. 194 °F
Liquid temperature during operation:	68 °F
Density:	62.29 lb/ft³
Electrical data:	
Motor standard:	IEC
Motor type:	112MC
IE Efficiency class:	IE3
Rated power - P2:	5.5 HP
Power (P2) required by pump:	5.5 HP
Main frequency:	50 Hz
Rated voltage:	3 x 380-415D V
Rated current:	7.9 A
Starting current:	1000-1110 %
Cos phi - power factor:	0.87-0.87
Rated speed:	2920-2940 rpm





Company name:

Created by:

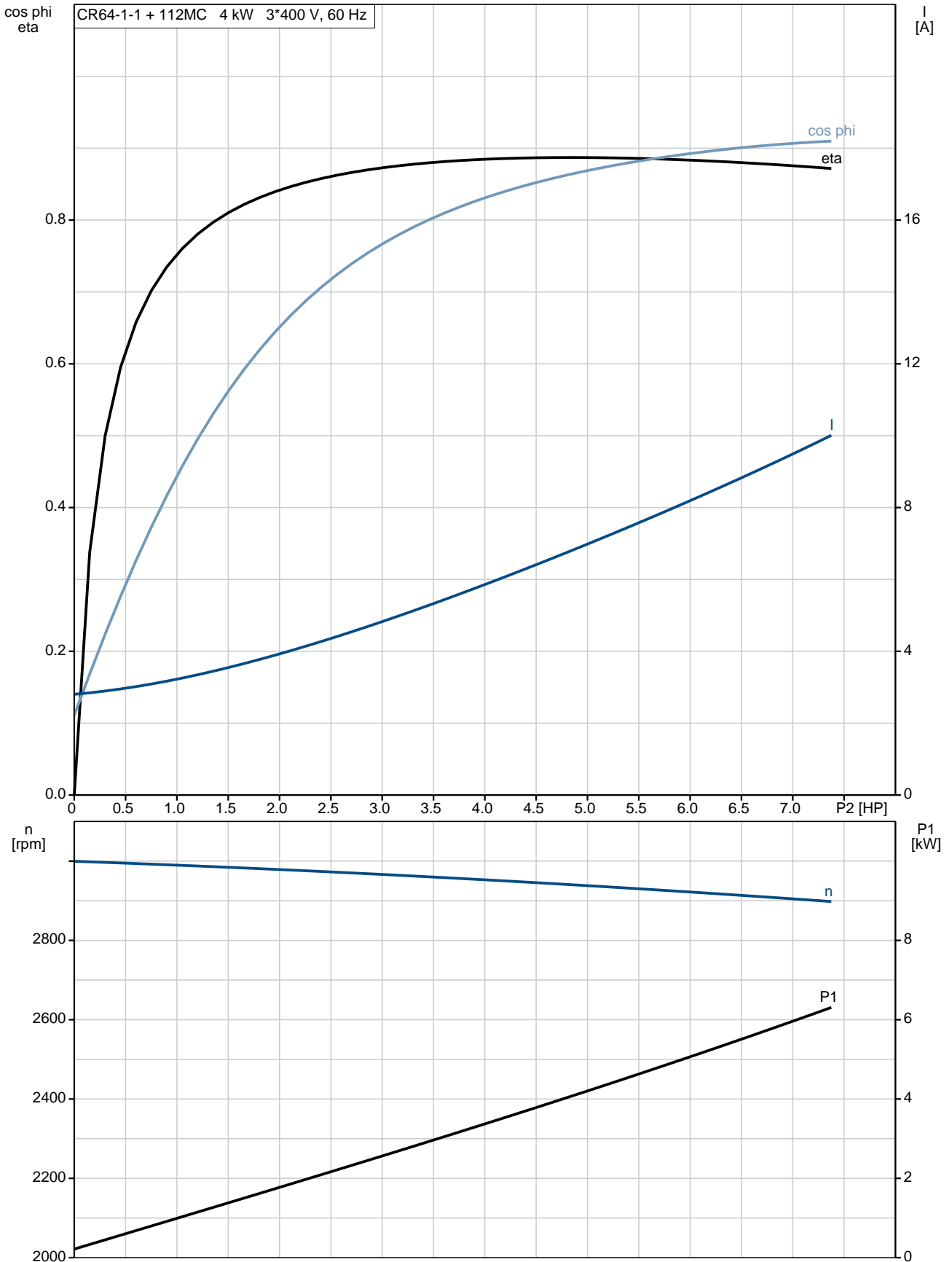
Phone:

Date:

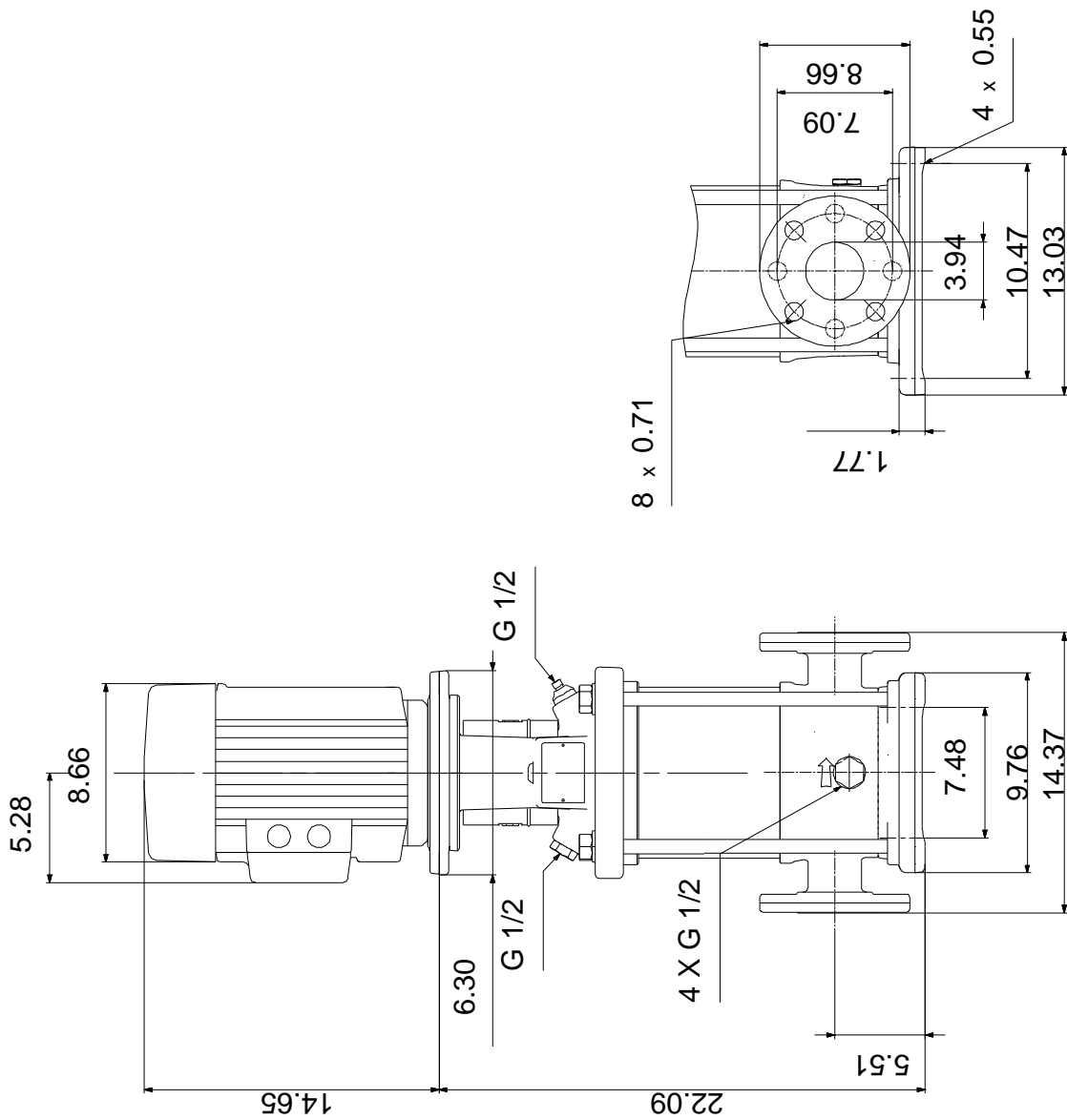
9/25/2018

Description	Value
IE efficiency:	IE3 88,1%
Motor efficiency at full load:	88.1 %
Motor efficiency at 3/4 load:	88.6 %
Motor efficiency at 1/2 load:	85.2 %
Number of poles:	2
Enclosure class (IEC 34-5):	55 Dust/Jetting
Insulation class (IEC 85):	F
Motor protection:	PTC
Motor Number:	85U15413
Controls:	
Frequency converter:	NONE
Others:	
Minimum efficiency index, MEI :	0.7
Net weight:	211 lb
Gross weight:	261 lb
Shipping volume:	10.9 ft ³

96123548 CR 64-1-1 A-F-A-V-HQQV 50 Hz

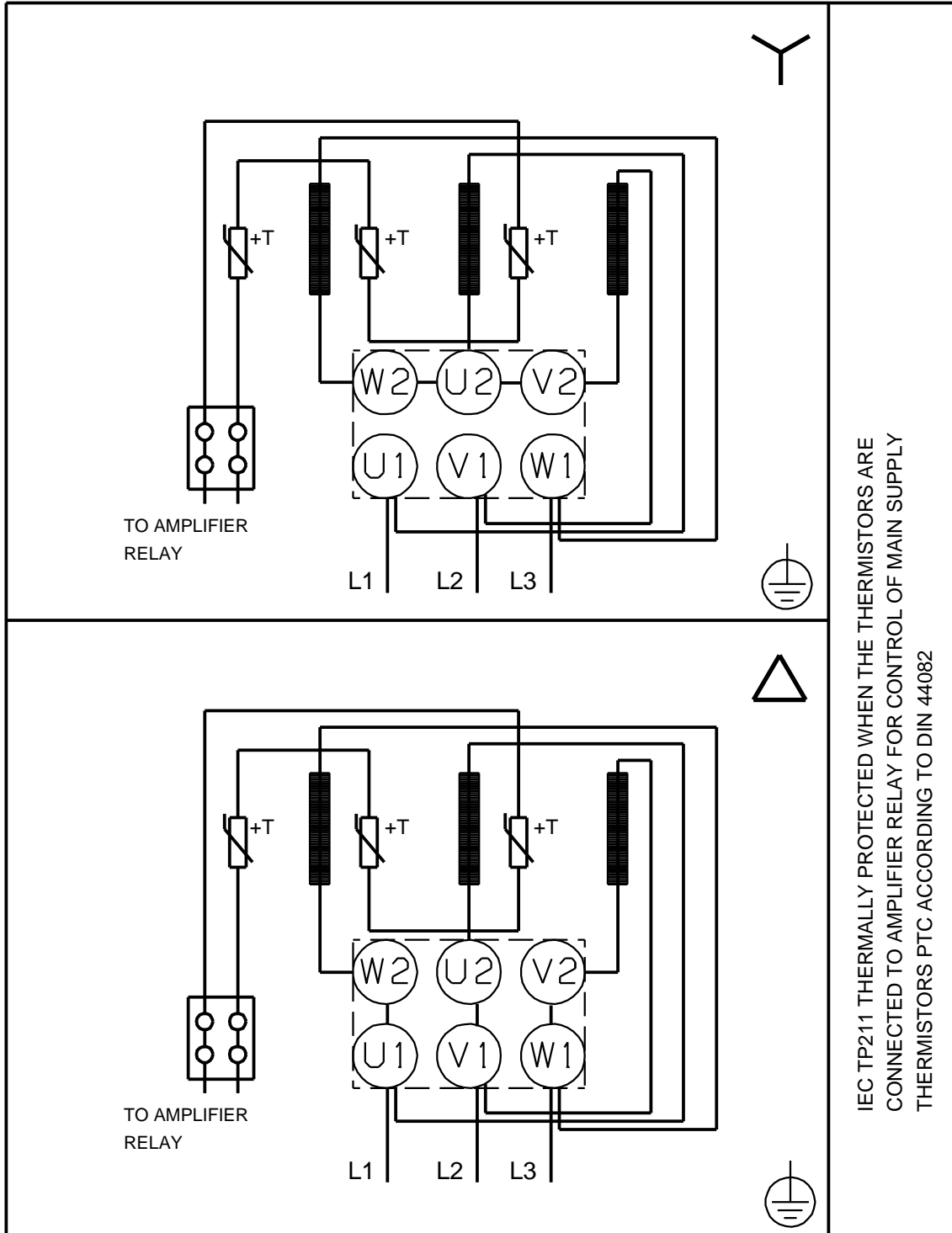


96123548 CR 64-1-1 A-F-A-V-HQQV 50 Hz



Note! All units are in [mm] unless otherwise stated.
 Disclaimer: This simplified dimensional drawing does not show all details.

96123548 CR 64-1-1 A-F-A-V-HQQV 50 Hz



IEC TP211 THERMALLY PROTECTED WHEN THE THERMISTORS ARE
CONNECTED TO AMPLIFIER RELAY FOR CONTROL OF MAIN SUPPLY
THERMISTORS PTC ACCORDING TO DIN 44082

All units are [mm] unless otherwise presented.