
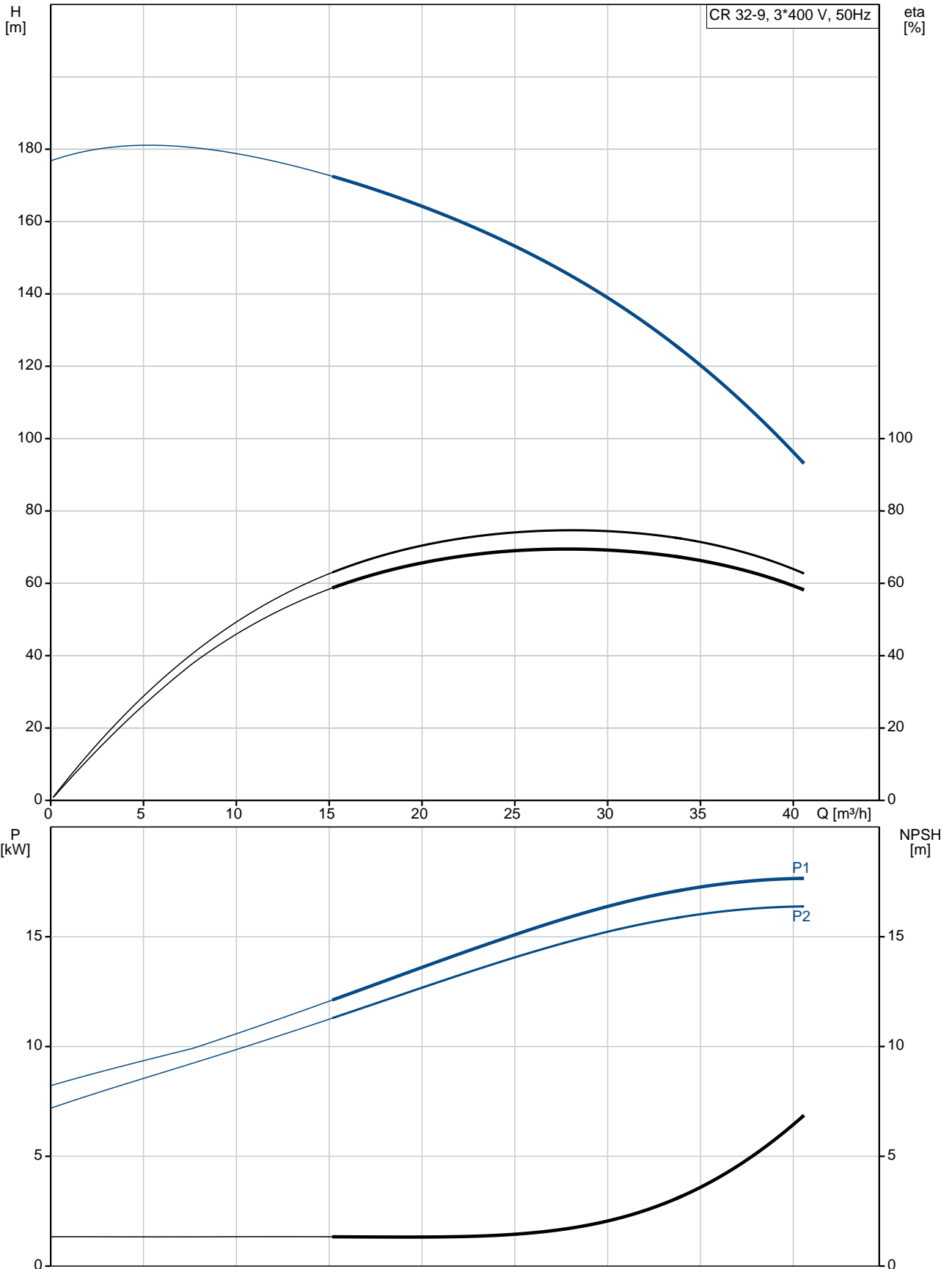


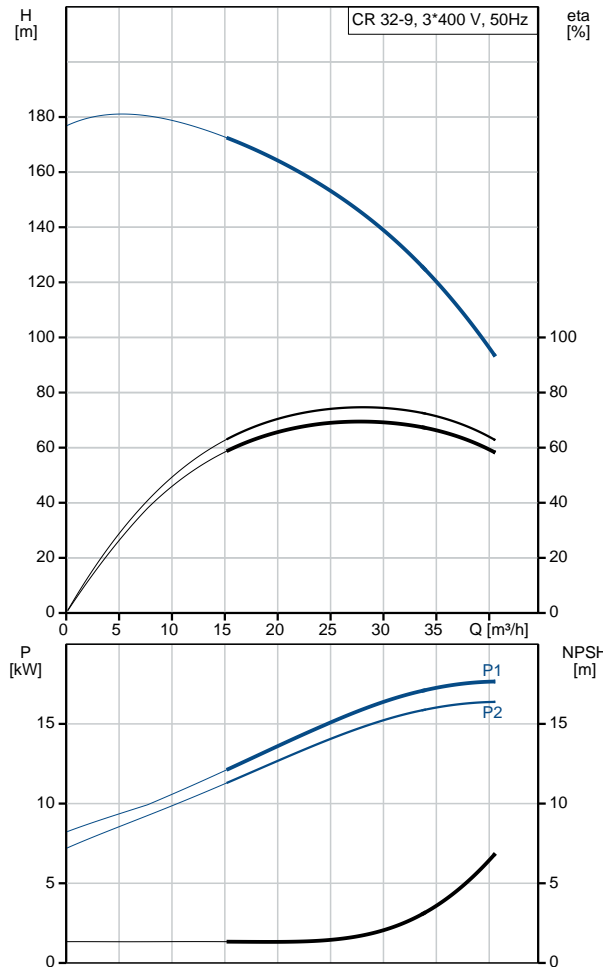
| Position | Qty. | Description |
|----------|------|---|
| | 1 | <p>CR 32-9 A-F-A-V-HQQV</p>  <p>Product No.: 96122051</p> <p>Vertical, multistage centrifugal pump with suction and discharge ports on same the level (in-line) enabling installation in a horizontal one-pipe system. The pump head and base are in cast iron – all other wetted parts are in stainless steel. A cartridge shaft seal ensures high reliability, safe handling and easy service and access. Power transmission is via a rigid split coupling. Pipework connection is via DIN flanges.</p> <p>The pump is fitted with a 3-phase, fan-cooled asynchronous motor.</p> <p>Liquid: Pumped liquid: Water Liquid temperature range: -20 .. 90 °C Liquid temperature during operation: 20 °C Density: 998.2 kg/m³</p> <p>Technical: Rated flow: 30 m³/h Rated head: 137.9 m Pump orientation: Vertical Shaft seal arrangement: Single Code for shaft seal: HQQV Approvals on nameplate: CE, EAC Curve tolerance: ISO9906:2012 3B</p> <p>Materials: Base: Cast iron EN 1563 EN-GJS-500-7 ASTM A536 80-55-06 Impeller: Stainless steel EN 1.4301 AISI 304 Bearing: SIC Support bearing: Graflon</p> <p>Installation: Maximum ambient temperature: 60 °C Maximum operating pressure: 30 bar Max pressure at stated temp: 30 bar / 90 °C 30 bar / -20 °C Type of connection: DIN Size of inlet connection: DN 65 Size of outlet connection: DN 65 Pressure rating for pipe connection: PN 40 Flange size for motor: FF300</p> <p>Electrical data: Motor standard: IEC</p> |

| Position | Qty. | Description |
|----------|------|---|
| | | <p>Motor type: 160LB</p> <p>IE Efficiency class: IE3</p> <p>Rated power - P2: 18.5 kW</p> <p>Power (P2) required by pump: 18.5 kW</p> <p>Mains frequency: 50 Hz</p> <p>Rated voltage: 3 x 380-415D/660-690Y V</p> <p>Rated current: 34,5-32,5/20,0-18,8 A</p> <p>Starting current: 830-980 %</p> <p>Cos phi - power factor: 0.89-0.85</p> <p>Rated speed: 2940-2950 rpm</p> <p>Efficiency: IE3 92,4%</p> <p>Motor efficiency at full load: 92.4-92.4 %</p> <p>Motor efficiency at 3/4 load: 93.2 %</p> <p>Motor efficiency at 1/2 load: 93.2 %</p> <p>Number of poles: 2</p> <p>Enclosure class (IEC 34-5): 55 Dust/Jetting</p> <p>Insulation class (IEC 85): F</p> <p>Controls:</p> <p>Frequency converter: NONE</p> <p>Others:</p> <p>Minimum efficiency index, MEI : 0.7</p> <p>Net weight: 198 kg</p> <p>Gross weight: 237 kg</p> <p>Shipping volume: 0.805 m³</p> <p>Country of origin: GB</p> <p>Custom tariff no.: 84137075</p> |

96122051 CR 32-9 A-F-A-V-HQQV 50 Hz



| Description | Value |
|--------------------------------------|-------------------------|
| General information: | |
| Product name: | CR 32-9 A-F-A-V-HQQV |
| Product No: | 96122051 |
| EAN number: | 5700396680958 |
| Price: | 6.358,00 GBP |
| Technical: | |
| Rated flow: | 30 m ³ /h |
| Rated head: | 137.9 m |
| Stages: | 9 |
| Impellers: | 9 |
| Low NPSH: | N |
| Pump orientation: | Vertical |
| Shaft seal arrangement: | Single |
| Code for shaft seal: | HQQV |
| Approvals on nameplate: | CE, EAC |
| Curve tolerance: | ISO9906:2012 3B |
| Pump version: | A |
| Model: | B |
| Materials: | |
| Base: | Cast iron |
| | EN 1563 EN-GJS-500-7 |
| | ASTM A536 80-55-06 |
| Impeller: | Stainless steel |
| | EN 1.4301 |
| | AISI 304 |
| Material code: | A |
| Code for rubber: | V |
| Bearing: | SIC |
| Support bearing: | Graflon |
| Installation: | |
| Maximum ambient temperature: | 60 °C |
| Maximum operating pressure: | 30 bar |
| Max pressure at stated temp: | 30 bar / 90 °C |
| | 30 bar / -20 °C |
| Type of connection: | DIN |
| Size of inlet connection: | DN 65 |
| Size of outlet connection: | DN 65 |
| Pressure rating for pipe connection: | PN 40 |
| Flange size for motor: | FF300 |
| Connect code: | F |
| Liquid: | |
| Pumped liquid: | Water |
| Liquid temperature range: | -20 .. 90 °C |
| Liquid temperature during operation: | 20 °C |
| Density: | 998.2 kg/m ³ |
| Electrical data: | |
| Motor standard: | IEC |
| Motor type: | 160LB |
| IE Efficiency class: | IE3 |
| Rated power - P2: | 18.5 kW |
| Power (P2) required by pump: | 18.5 kW |
| Mains frequency: | 50 Hz |
| Rated voltage: | 3 x 380-415D/660-690Y V |
| Rated current: | 34,5-32,5/20,0-18,8 A |
| Starting current: | 830-980 % |
| Cos phi - power factor: | 0.89-0.85 |
| Rated speed: | 2940-2950 rpm |
| Efficiency: | IE3 92,4% |





Company name:

Created by:

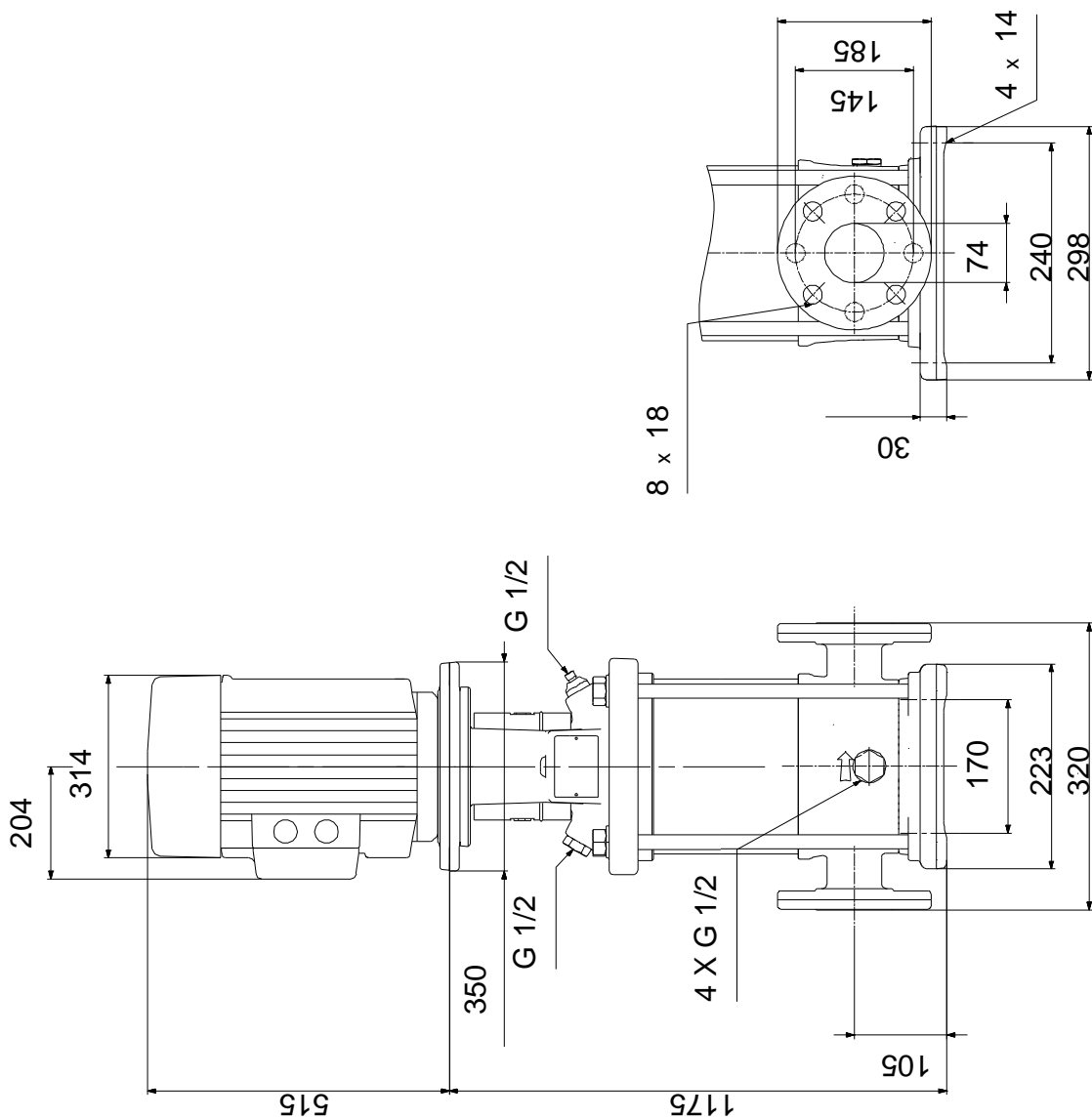
Phone:

Date:

12/09/2018

| Description | Value |
|---------------------------------|----------------------|
| Motor efficiency at full load: | 92.4-92.4 % |
| Motor efficiency at 3/4 load: | 93.2 % |
| Motor efficiency at 1/2 load: | 93.2 % |
| Number of poles: | 2 |
| Enclosure class (IEC 34-5): | 55 Dust/Jetting |
| Insulation class (IEC 85): | F |
| Motor protec: | PTC |
| Motor No: | 85U17528 |
| Controls: | |
| Frequency converter: | NONE |
| Others: | |
| Minimum efficiency index, MEI : | 0.7 |
| Net weight: | 198 kg |
| Gross weight: | 237 kg |
| Shipping volume: | 0.805 m ³ |
| Country of origin: | GB |
| Custom tariff no.: | 84137075 |

96122051 CR 32-9 A-F-A-V-HQQV 50 Hz



Note! All units are in [mm] unless others are stated.
 Disclaimer: This simplified dimensional drawing does not show all details.

96122051 CR 32-9 A-F-A-V-HQQV 50 Hz



IEC TP211 THERMALLY PROTECTED WHEN THE THERMISTORS ARE
CONNECTED TO AMPLIFIER RELAY FOR CONTROL OF MAIN SUPPLY
THERMISTORS PTC ACCORDING TO DIN 44082

Note! All units are in [mm] unless others are stated.