
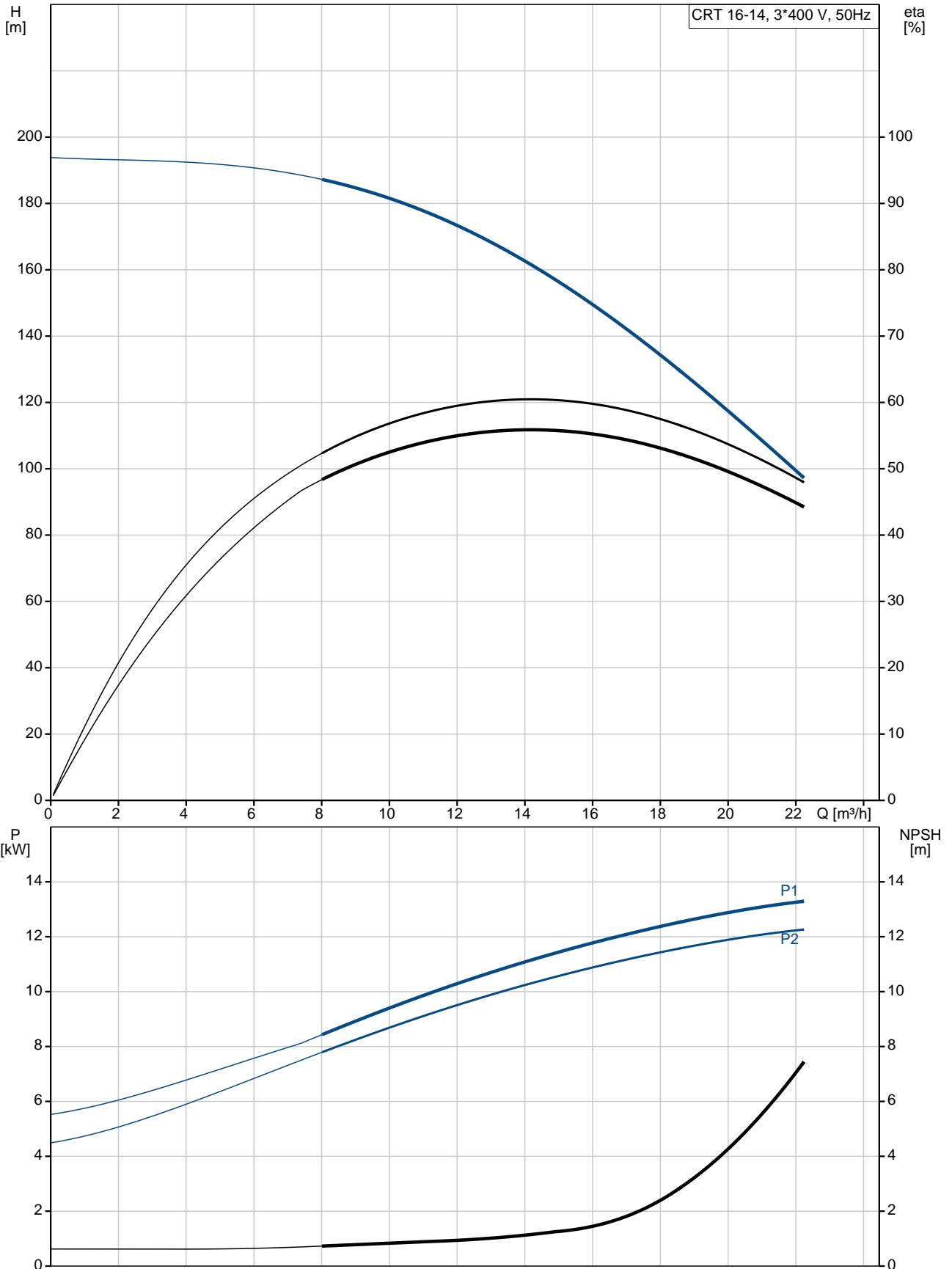


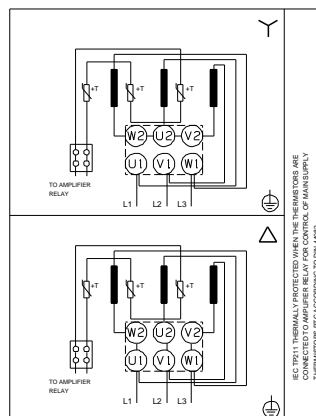
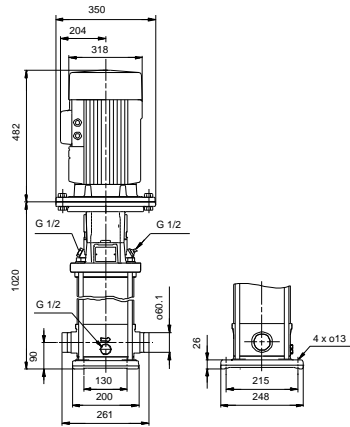
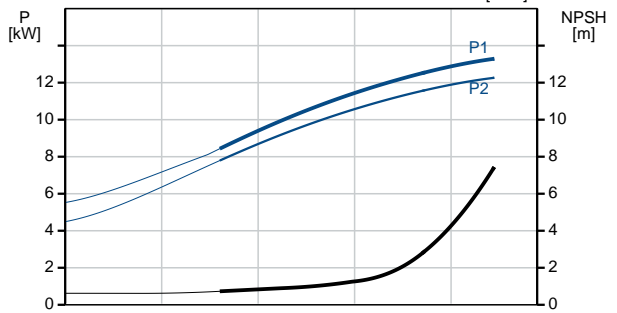
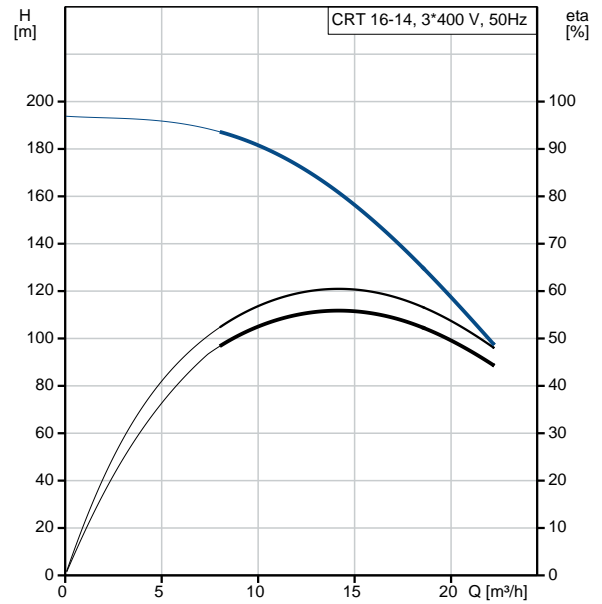
Qty.	Description
1	<p data-bbox="199 340 502 362">CRT 16-14 A-P-A-E-AUUE</p>  <p data-bbox="199 660 470 683">Product No.: 96117253</p> <p data-bbox="199 689 726 779">Vertical, non-self-priming, multistage, in-line, centrifugal pump for installation in pipe systems and mounting on a foundation.</p> <p data-bbox="199 810 678 833">The pump has the following characteristics:</p> <ul data-bbox="239 840 758 862" style="list-style-type: none"> - Impellers, intermediate chambers and outer <p data-bbox="199 869 885 891">Impeller: sleeve are made of Titanium.</p> <p data-bbox="199 898 1133 920">Pump housing: - Pump head cover and base are made of Titanium.</p> <ul data-bbox="239 927 670 949" style="list-style-type: none"> - The shaft seal has assembly length <p data-bbox="199 956 462 978">according to EN 12756.</p> <ul data-bbox="239 985 710 1008" style="list-style-type: none"> - Power transmission is via cast iron split <p data-bbox="199 1014 303 1037">coupling.</p> <p data-bbox="199 1043 925 1066">Flange standard: - Pipework connection is via PJE</p> <p data-bbox="199 1072 399 1095">flanges/couplings.</p> <p data-bbox="199 1126 941 1149">Phase: The motor is a 3-phase AC motor.</p> <p data-bbox="199 1193 279 1216">Liquid:</p> <p data-bbox="199 1223 630 1245">Pumped liquid: Water</p> <p data-bbox="199 1252 710 1274">Liquid temperature range: -20 .. 120 °C</p> <p data-bbox="199 1281 630 1303">Selected liquid temperature: 20 °C</p> <p data-bbox="199 1310 702 1332">Density: 998.2 kg/m³</p> <p data-bbox="199 1377 319 1400">Technical:</p> <p data-bbox="199 1406 821 1429">Pump speed on which pump data are based: 2900 rpm</p> <p data-bbox="199 1435 654 1458">Rated flow: 16 m³/h</p> <p data-bbox="199 1464 638 1487">Rated head: 154 m</p> <p data-bbox="199 1494 638 1516">Primary shaft seal: AUUE</p> <p data-bbox="199 1523 638 1545">Approvals on nameplate: CE,TR</p> <p data-bbox="199 1552 766 1574">Curve tolerance: ISO9906:2012 3B</p> <p data-bbox="199 1619 311 1641">Materials:</p> <p data-bbox="199 1648 710 1671">Pump housing: Titanium</p> <p data-bbox="566 1677 710 1700">ASTM B 265</p> <p data-bbox="199 1706 710 1729">Impeller: Titanium</p> <p data-bbox="566 1736 710 1758">ASTM B 265</p> <p data-bbox="199 1765 638 1787">Bush material: NONE</p> <p data-bbox="199 1832 327 1854">Installation:</p> <p data-bbox="199 1861 630 1883">Maximum ambient temperature: 60 °C</p> <p data-bbox="199 1890 734 1912">Max pressure at stated temp: 25 bar / 120 °C</p> <p data-bbox="566 1919 734 1942">25 bar / -20 °C</p> <p data-bbox="199 1948 614 1971">Flange standard: PJE</p> <p data-bbox="199 1977 662 2000">Pipe connection: 60,3 mm</p> <p data-bbox="199 2007 638 2029">Flange size for motor: FF300</p> <p data-bbox="199 2074 367 2096">Electrical data:</p>

Qty.	Description
	<p>Motor type: 160MD</p> <p>IE Efficiency class: IE3</p> <p>Rated power - P2: 15 kW</p> <p>Power (P2) required by pump: 15 kW</p> <p>Mains frequency: 50 Hz</p> <p>Rated voltage: 3 x 380-415D/660-690Y V</p> <p>Rated current: 28,0-26,0/16,2-15,6 A</p> <p>Starting current: 660-780 %</p> <p>Cos phi - power factor: 0.89-0.87</p> <p>Rated speed: 2930-2950 rpm</p> <p>Efficiency: IE3 91,9%</p> <p>Motor efficiency at full load: 91.9-91.9 %</p> <p>Motor efficiency at 3/4 load: 92.4 %</p> <p>Motor efficiency at 1/2 load: 92.4 %</p> <p>Number of poles: 2</p> <p>Enclosure class (IEC 34-5): 55 Dust/Jetting</p> <p>Insulation class (IEC 85): F</p> <p>Motor No: 85U17526</p> <p>Others:</p> <p>Minimum efficiency index, MEI $\hat{\alpha}\%$: 0.69</p> <p>Net weight: 136 kg</p> <p>Gross weight: 146 kg</p>

96117253 CRT 16-14 A-P-A-E-AUUE 50 Hz



Description	Value
General information:	
Product name:	CRT 16-14 A-P-A-E-AUUE
Product No:	96117253
EAN number:	5700396596174
Price:	
Technical:	
Pump speed on which pump data are based:	2900 rpm
Rated flow:	16 m ³ /h
Rated head:	154 m
Maximum head:	203.4 m
Head max:	203.4 m
Stages:	14
Impellers:	14
Primary shaft seal:	AUUE
Approvals on nameplate:	CE, TR
Curve tolerance:	ISO9906:2012 3B
Pump version:	A
Model:	A
Materials:	
Pump housing:	Titanium
Pump housing:	ASTM B 265
Impeller:	Titanium
Impeller:	ASTM B 265
Material code:	A
Code for rubber:	E
Bush material:	NONE
Installation:	
Maximum ambient temperature:	60 °C
Max pressure at stated temp:	25 bar / 120 °C
Max pressure at stated temp:	25 bar / -20 °C
Flange standard:	PJE
Pipe connection:	60,3 mm
Flange size for motor:	FF300
Connect code:	P
Liquid:	
Pumped liquid:	Water
Liquid temperature range:	-20 .. 120 °C
Selected liquid temperature:	20 °C
Density:	998.2 kg/m ³
Electrical data:	
Motor type:	160MD
IE Efficiency class:	IE3
Rated power - P2:	15 kW
Power (P2) required by pump:	15 kW
Power (P2) required by pump:	15 kW
Mains frequency:	50 Hz
Rated voltage:	3 x 380-415D/660-690V V
Rated current:	28,0-26,0/16,2-15,6 A
Starting current:	660-780 %
Cos phi - power factor:	0.89-0.87
Rated speed:	2930-2950 rpm
Efficiency:	IE3 91,9%
Motor efficiency at full load:	91.9-91.9 %
Motor efficiency at 3/4 load:	92.4 %
Motor efficiency at 1/2 load:	92.4 %
Number of poles:	2





Company name:

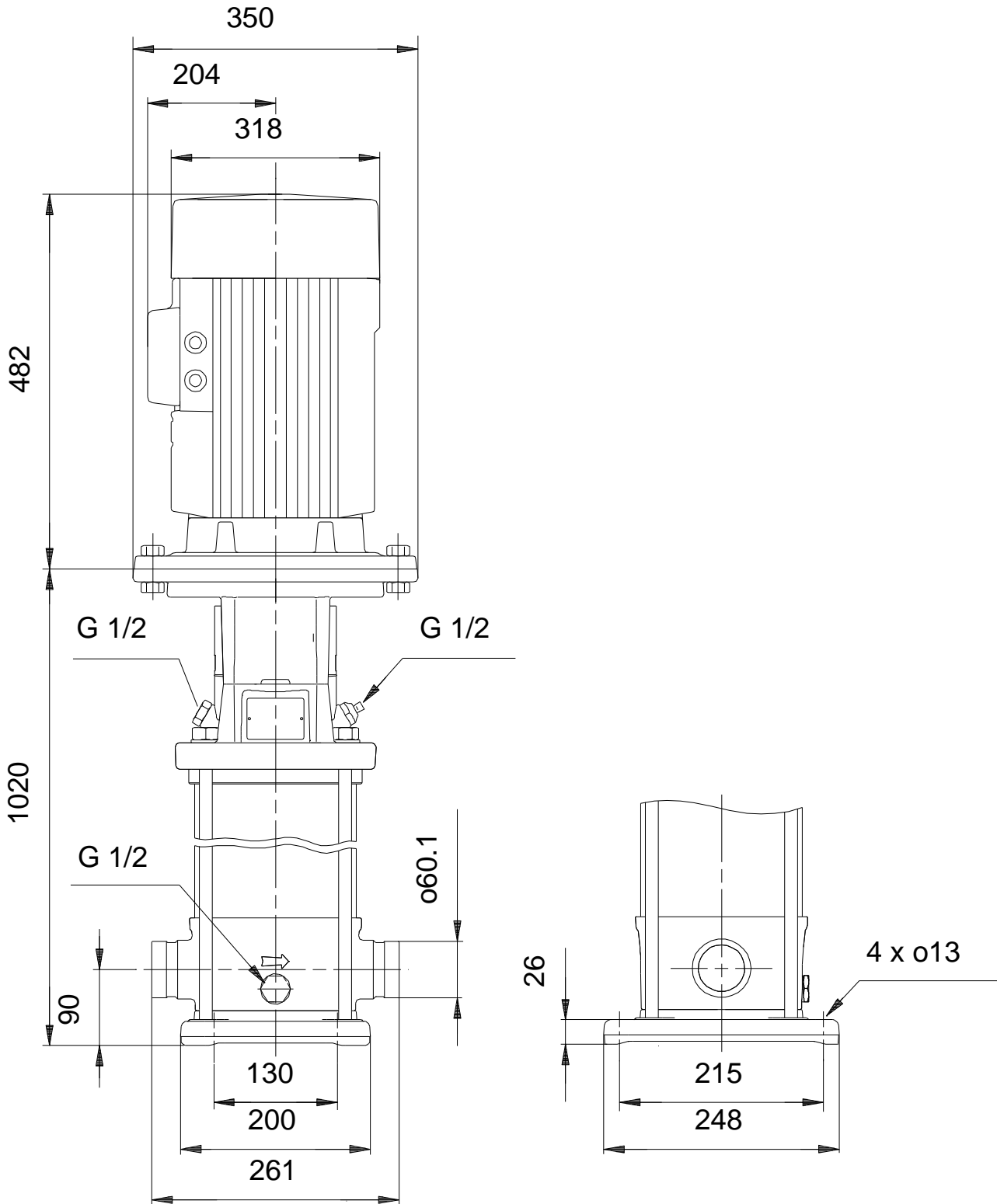
Created by:

Phone:

Date: 19/01/2021

Description	Value
Enclosure class (IEC 34-5):	55 Dust/Jetting
Insulation class (IEC 85):	F
Motor protec:	PTC
Motor No:	85U17526
Others:	
Minimum efficiency index, MEI %:	0.69
Net weight:	136 kg
Gross weight:	146 kg

96117253 CRT 16-14 A-P-A-E-AUUE 50 Hz



Note! All units are in [mm] unless others are stated.
Disclaimer: This simplified dimensional drawing does not show all details.

96117253 CRT 16-14 A-P-A-E-AUUE 50 Hz



Note! All units are in [mm] unless others are stated.