
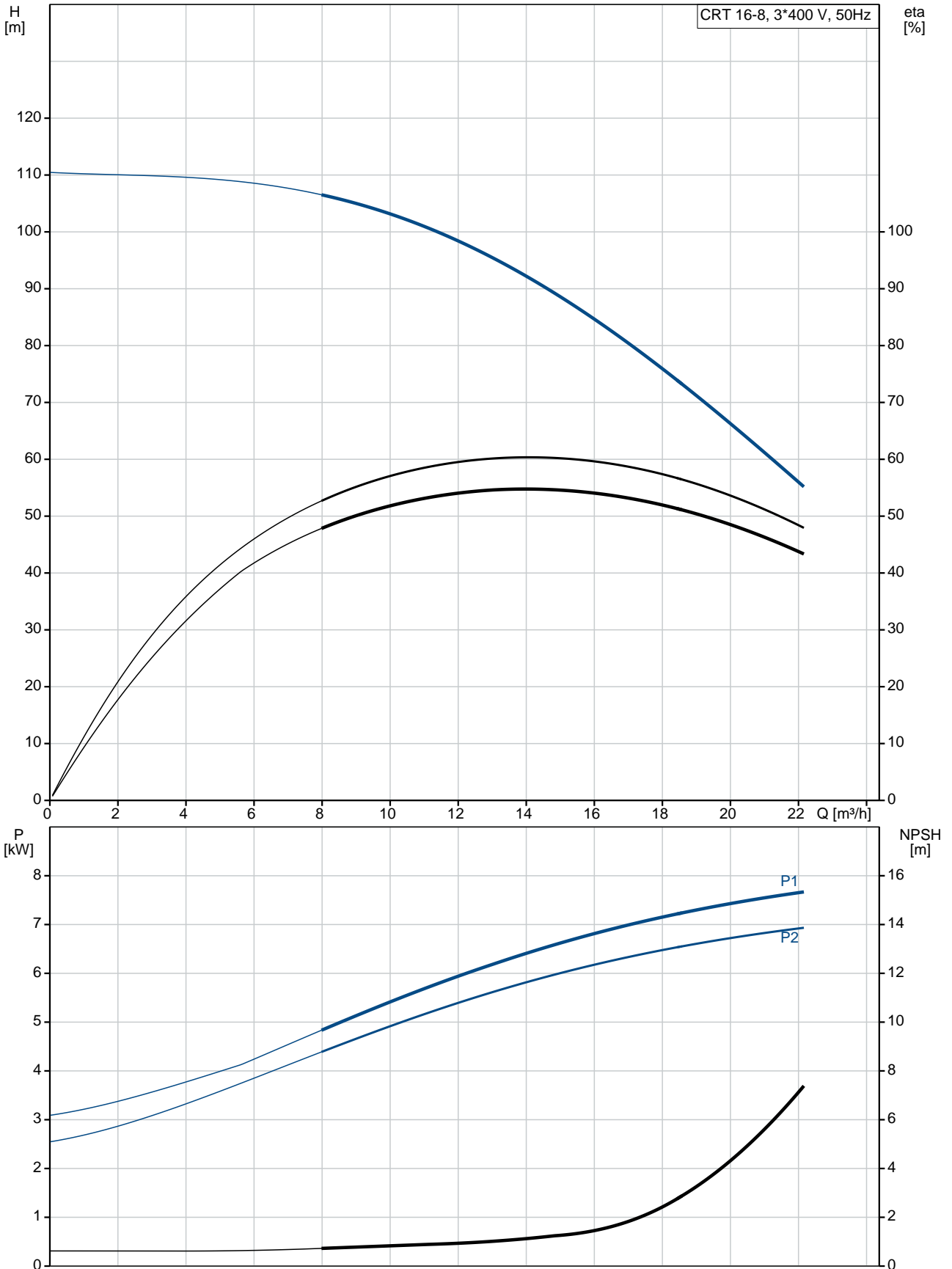


Qty.	Description
1	<p data-bbox="199 338 491 369">CRT 16-8 A-P-A-E-AUUE</p>  <p data-bbox="199 660 470 689">Product No.: 96117250</p> <p data-bbox="199 692 726 779">Vertical, non-self-priming, multistage, in-line, centrifugal pump for installation in pipe systems and mounting on a foundation.</p> <p data-bbox="199 808 678 837">The pump has the following characteristics:</p> <ul data-bbox="236 840 758 869" style="list-style-type: none"> - Impellers, intermediate chambers and outer <p data-bbox="199 871 885 900">Impeller: sleeve are made of Titanium.</p> <p data-bbox="199 902 1133 931">Pump housing: - Pump head cover and base are made of Titanium.</p> <ul data-bbox="236 934 670 963" style="list-style-type: none"> - The shaft seal has assembly length <p data-bbox="199 965 462 994">according to EN 12756.</p> <ul data-bbox="236 996 710 1048" style="list-style-type: none"> - Power transmission is via cast iron split coupling. <p data-bbox="199 1050 925 1108">Flange standard: - Pipework connection is via PJE flanges/couplings.</p> <p data-bbox="199 1137 941 1167">Phase: The motor is a 3-phase AC motor.</p> <p data-bbox="199 1196 279 1225">Liquid:</p> <p data-bbox="199 1227 630 1256">Pumped liquid: Water</p> <p data-bbox="199 1258 710 1288">Liquid temperature range: -20 .. 120 °C</p> <p data-bbox="199 1290 630 1319">Selected liquid temperature: 20 °C</p> <p data-bbox="199 1321 702 1350">Density: 998.2 kg/m³</p> <p data-bbox="199 1379 319 1408">Technical:</p> <p data-bbox="199 1411 821 1440">Pump speed on which pump data are based: 2900 rpm</p> <p data-bbox="199 1442 654 1471">Rated flow: 16 m³/h</p> <p data-bbox="199 1473 646 1503">Rated head: 85.5 m</p> <p data-bbox="199 1505 638 1534">Primary shaft seal: AUUE</p> <p data-bbox="199 1536 646 1565">Approvals on nameplate: CE,TR</p> <p data-bbox="199 1568 766 1597">Curve tolerance: ISO9906:2012 3B</p> <p data-bbox="199 1626 311 1655">Materials:</p> <p data-bbox="199 1657 710 1715">Pump housing: Titanium ASTM B 265</p> <p data-bbox="199 1718 710 1776">Impeller: Titanium ASTM B 265</p> <p data-bbox="199 1778 638 1807">Bush material: NONE</p> <p data-bbox="199 1836 327 1865">Installation:</p> <p data-bbox="199 1868 630 1897">Maximum ambient temperature: 60 °C</p> <p data-bbox="199 1899 734 1957">Max pressure at stated temp: 25 bar / 120 °C 25 bar / -20 °C</p> <p data-bbox="199 1960 614 1989">Flange standard: PJE</p> <p data-bbox="199 1991 662 2020">Pipe connection: 60,3 mm</p> <p data-bbox="199 2022 638 2051">Flange size for motor: FF265</p> <p data-bbox="199 2080 367 2110">Electrical data:</p>

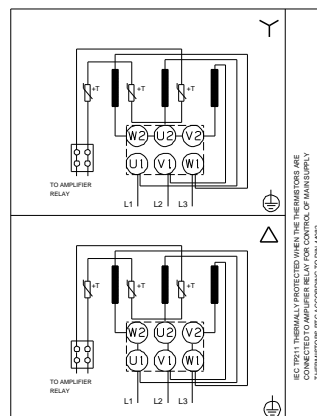
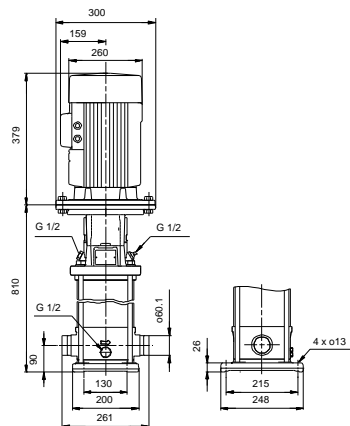
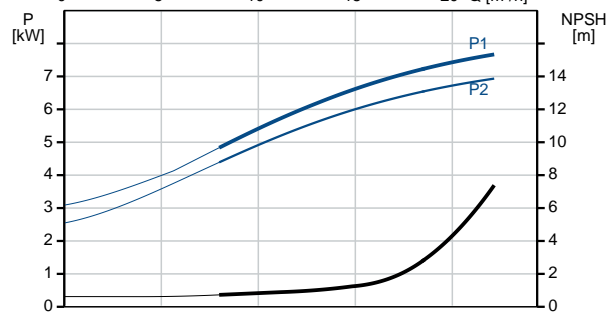
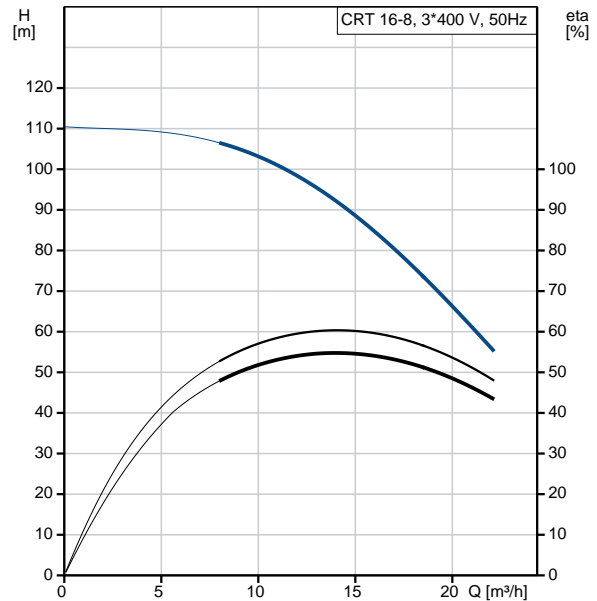
Qty. Description

Motor type:	132SB
IE Efficiency class:	IE3
Rated power - P2:	7.5 kW
Power (P2) required by pump:	7.5 kW
Mains frequency:	50 Hz
Rated voltage:	3 x 380-415D/660-690Y V
Rated current:	14,4-14,0/8,30-8,10 A
Starting current:	780-910 %
Cos phi - power factor:	0.88-0.82
Rated speed:	2910-2920 rpm
Efficiency:	IE3 90,1%
Motor efficiency at full load:	90.1-90.4 %
Motor efficiency at 3/4 load:	90.8 %
Motor efficiency at 1/2 load:	90.8 %
Number of poles:	2
Enclosure class (IEC 34-5):	55 Dust/Jetting
Insulation class (IEC 85):	F
Motor No:	85U17522
Others:	
Minimum efficiency index, MEI $\hat{\alpha}\%$:	0.69
Net weight:	93 kg
Gross weight:	103 kg

96117250 CRT 16-8 A-P-A-E-AUUE 50 Hz



Description	Value
General information:	
Product name:	CRT 16-8 A-P-A-E-AUUE
Product No:	96117250
EAN number:	5700396596136
Price:	
Technical:	
Pump speed on which pump data are based:	2900 rpm
Rated flow:	16 m ³ /h
Rated head:	85.5 m
Maximum head:	115.4 m
Head max:	115.4 m
Stages:	10
Impellers:	8
Primary shaft seal:	AUUE
Approvals on nameplate:	CE, TR
Curve tolerance:	ISO9906:2012 3B
Pump version:	A
Model:	A
Materials:	
Pump housing:	Titanium
Pump housing:	ASTM B 265
Impeller:	Titanium
Impeller:	ASTM B 265
Material code:	A
Code for rubber:	E
Bush material:	NONE
Installation:	
Maximum ambient temperature:	60 °C
Max pressure at stated temp:	25 bar / 120 °C
Max pressure at stated temp:	25 bar / -20 °C
Flange standard:	PJE
Pipe connection:	60,3 mm
Flange size for motor:	FF265
Connect code:	P
Liquid:	
Pumped liquid:	Water
Liquid temperature range:	-20 .. 120 °C
Selected liquid temperature:	20 °C
Density:	998.2 kg/m ³
Electrical data:	
Motor type:	132SB
IE Efficiency class:	IE3
Rated power - P2:	7.5 kW
Power (P2) required by pump:	7.5 kW
Power (P2) required by pump:	7.5 kW
Mains frequency:	50 Hz
Rated voltage:	3 x 380-415D/660-690Y V
Rated current:	14,4-14,0/8,30-8,10 A
Starting current:	780-910 %
Cos phi - power factor:	0.88-0.82
Rated speed:	2910-2920 rpm
Efficiency:	IE3 90,1%
Motor efficiency at full load:	90.1-90.4 %
Motor efficiency at 3/4 load:	90.8 %
Motor efficiency at 1/2 load:	90.8 %
Number of poles:	2





Company name:

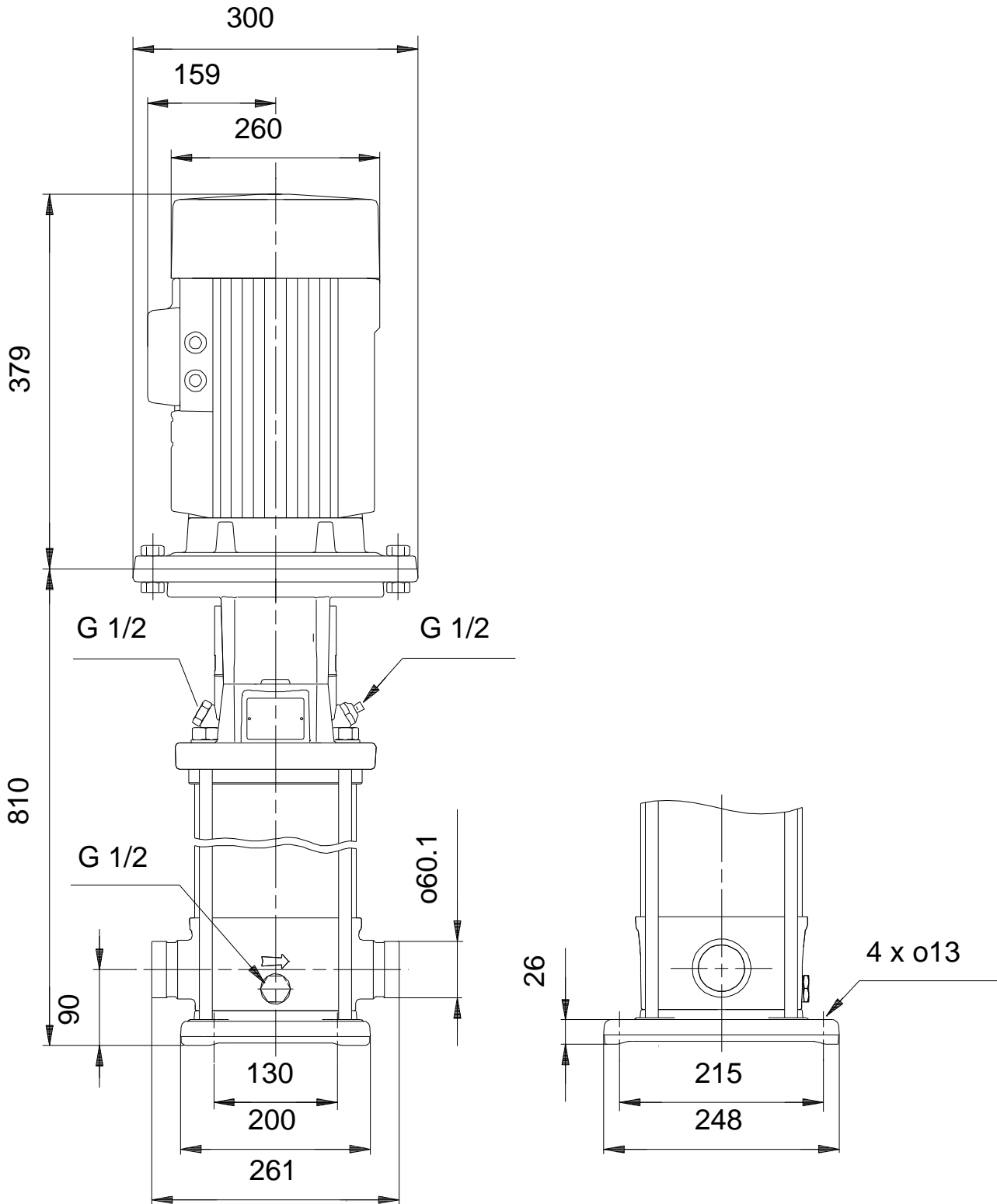
Created by:

Phone:

Date: 19/01/2021

Description	Value
Enclosure class (IEC 34-5):	55 Dust/Jetting
Insulation class (IEC 85):	F
Motor protec:	PTC
Motor No:	85U17522
Others:	
Minimum efficiency index, MEI %:	0.69
Net weight:	93 kg
Gross weight:	103 kg

96117250 CRT 16-8 A-P-A-E-AUUE 50 Hz



Note! All units are in [mm] unless others are stated.
Disclaimer: This simplified dimensional drawing does not show all details.

96117250 CRT 16-8 A-P-A-E-AUUE 50 Hz



IEC TP211 THERMALLY PROTECTED WHEN THE THERMISTORS ARE
CONNECTED TO AMPLIFIER RELAY FOR CONTROL OF MAIN SUPPLY
THERMISTORS PTC ACCORDING TO DIN 44082

Note! All units are in [mm] unless others are stated.