
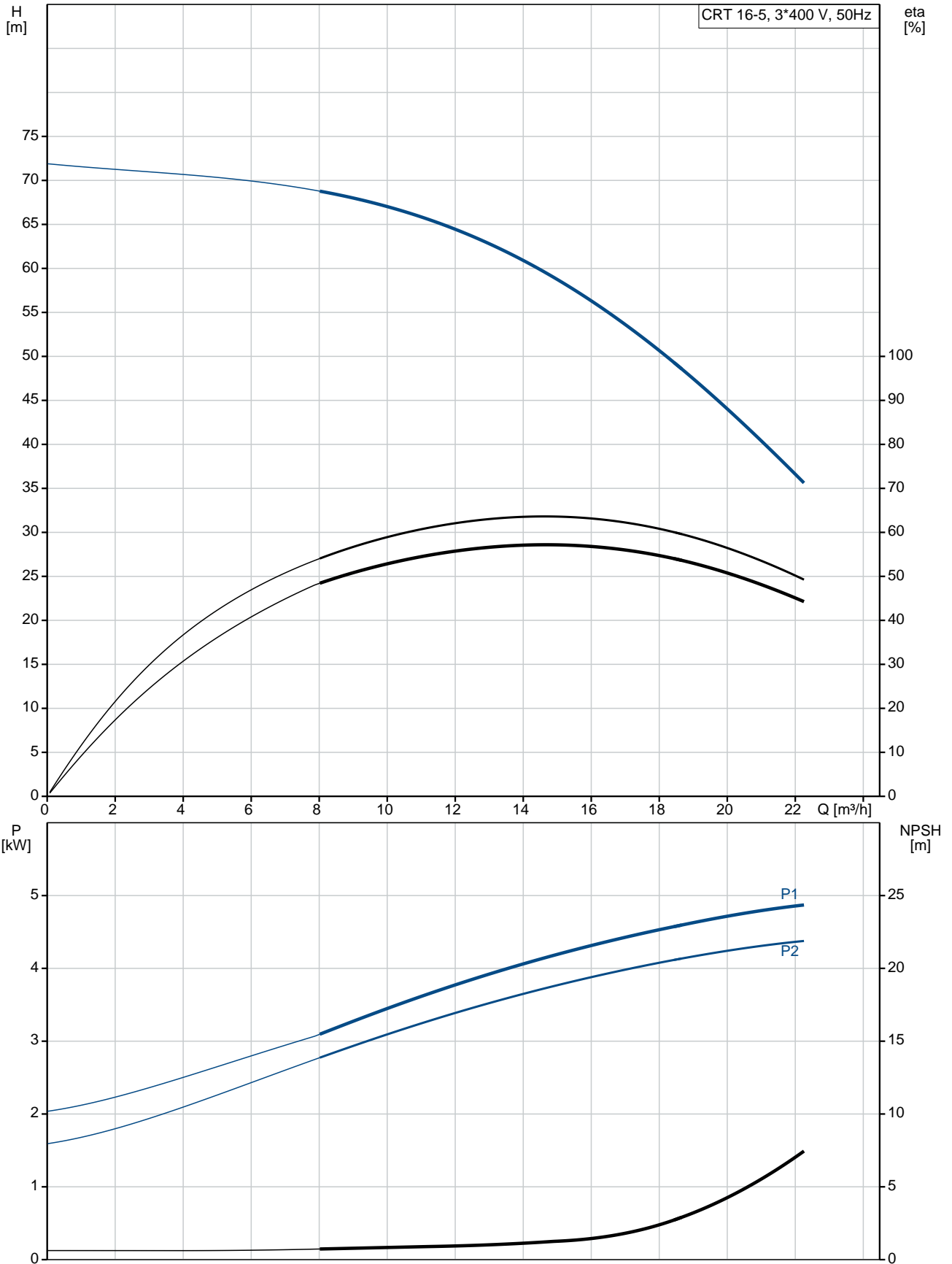


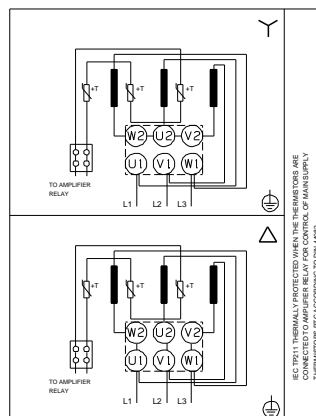
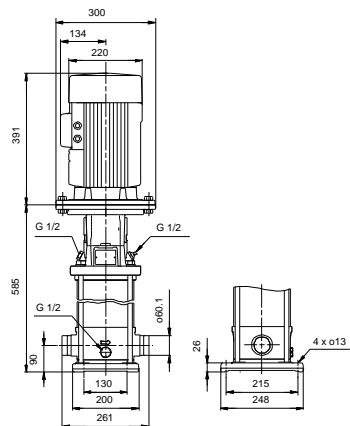
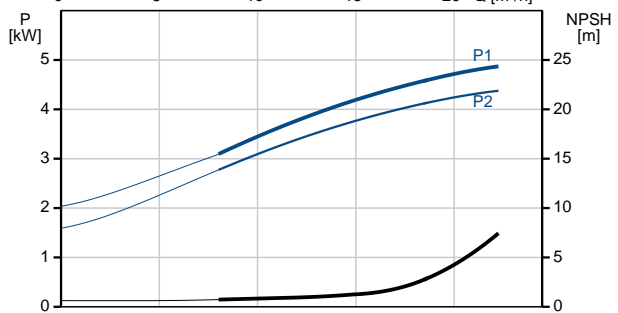
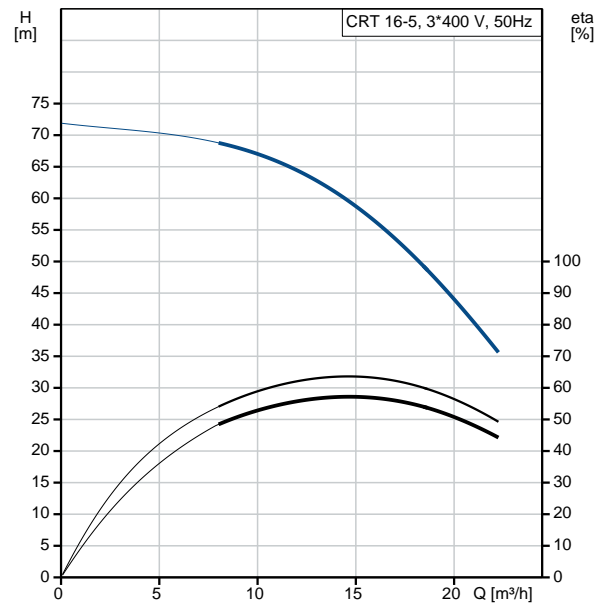
Qty.	Description
1	<p data-bbox="199 340 486 362">CRT 16-5 A-P-A-E-AUUE</p>  <p data-bbox="199 660 470 683">Product No.: 96117247</p> <p data-bbox="199 689 726 772">Vertical, non-self-priming, multistage, in-line, centrifugal pump for installation in pipe systems and mounting on a foundation.</p> <p data-bbox="199 806 678 828">The pump has the following characteristics:</p> <ul data-bbox="239 840 758 862" style="list-style-type: none"> - Impellers, intermediate chambers and outer <p data-bbox="199 869 885 891">Impeller: sleeve are made of Titanium.</p> <p data-bbox="199 898 1133 920">Pump housing: - Pump head cover and base are made of Titanium.</p> <ul data-bbox="239 929 670 952" style="list-style-type: none"> - The shaft seal has assembly length <p data-bbox="199 958 462 981">according to EN 12756.</p> <ul data-bbox="239 990 710 1012" style="list-style-type: none"> - Power transmission is via cast iron split <p data-bbox="199 1019 303 1041">coupling.</p> <p data-bbox="199 1048 925 1070">Flange standard: - Pipework connection is via PJE</p> <p data-bbox="199 1077 399 1099">flanges/couplings.</p> <p data-bbox="199 1137 941 1160">Phase: The motor is a 3-phase AC motor.</p> <p data-bbox="199 1198 279 1220">Liquid:</p> <p data-bbox="199 1227 630 1249">Pumped liquid: Water</p> <p data-bbox="199 1256 710 1279">Liquid temperature range: -20 .. 120 °C</p> <p data-bbox="199 1285 630 1308">Selected liquid temperature: 20 °C</p> <p data-bbox="199 1314 702 1337">Density: 998.2 kg/m³</p> <p data-bbox="199 1375 319 1397">Technical:</p> <p data-bbox="199 1404 821 1426">Pump speed on which pump data are based: 2900 rpm</p> <p data-bbox="199 1433 646 1456">Rated flow: 16 m³/h</p> <p data-bbox="199 1462 646 1485">Rated head: 57.7 m</p> <p data-bbox="199 1491 630 1514">Primary shaft seal: AUUE</p> <p data-bbox="199 1520 646 1543">Approvals on nameplate: CE,TR</p> <p data-bbox="199 1550 766 1572">Curve tolerance: ISO9906:2012 3B</p> <p data-bbox="199 1610 311 1632">Materials:</p> <p data-bbox="199 1639 710 1662">Pump housing: Titanium</p> <p data-bbox="566 1668 710 1691">ASTM B 265</p> <p data-bbox="199 1697 710 1720">Impeller: Titanium</p> <p data-bbox="566 1727 710 1749">ASTM B 265</p> <p data-bbox="199 1756 638 1778">Bush material: NONE</p> <p data-bbox="199 1816 327 1839">Installation:</p> <p data-bbox="199 1845 630 1868">Maximum ambient temperature: 60 °C</p> <p data-bbox="199 1874 734 1897">Max pressure at stated temp: 25 bar / 120 °C</p> <p data-bbox="566 1904 734 1926">25 bar / -20 °C</p> <p data-bbox="199 1933 614 1955">Flange standard: PJE</p> <p data-bbox="199 1962 662 1984">Pipe connection: 60,3 mm</p> <p data-bbox="199 1991 638 2013">Flange size for motor: FF265</p> <p data-bbox="199 2051 367 2074">Electrical data:</p>

Qty.	Description
	<p>Motor type: 132SC</p> <p>IE Efficiency class: IE3</p> <p>Rated power - P2: 5.5 kW</p> <p>Power (P2) required by pump: 5.5 kW</p> <p>Mains frequency: 50 Hz</p> <p>Rated voltage: 3 x 380-415D V</p> <p>Rated current: 11 A</p> <p>Starting current: 1080-1180 %</p> <p>Cos phi - power factor: 0.87-0.82</p> <p>Rated speed: 2920-2940 rpm</p> <p>Efficiency: IE3 89,2%</p> <p>Motor efficiency at full load: 89.2 %</p> <p>Motor efficiency at 3/4 load: 90.0 %</p> <p>Motor efficiency at 1/2 load: 89.6 %</p> <p>Number of poles: 2</p> <p>Enclosure class (IEC 34-5): 55 Dust/Jetting</p> <p>Insulation class (IEC 85): F</p> <p>Motor No: 85U17417</p> <p>Others:</p> <p>Minimum efficiency index, MEI $\hat{\alpha}\%$: 0.69</p> <p>Net weight: 76 kg</p> <p>Gross weight: 86 kg</p>

96117247 CRT 16-5 A-P-A-E-AUUE 50 Hz



Description	Value
General information:	
Product name:	CRT 16-5 A-P-A-E-AUUE
Product No:	96117247
EAN number:	5700396596105
Price:	
Technical:	
Pump speed on which pump data are based:	2900 rpm
Rated flow:	16 m ³ /h
Rated head:	57.7 m
Maximum head:	72.4 m
Head max:	72.4 m
Stages:	5
Impellers:	5
Primary shaft seal:	AUUE
Approvals on nameplate:	CE, TR
Curve tolerance:	ISO9906:2012 3B
Pump version:	A
Model:	A
Materials:	
Pump housing:	Titanium
Pump housing:	ASTM B 265
Impeller:	Titanium
Impeller:	ASTM B 265
Material code:	A
Code for rubber:	E
Bush material:	NONE
Installation:	
Maximum ambient temperature:	60 °C
Max pressure at stated temp:	25 bar / 120 °C
Max pressure at stated temp:	25 bar / -20 °C
Flange standard:	PJE
Pipe connection:	60,3 mm
Flange size for motor:	FF265
Connect code:	P
Liquid:	
Pumped liquid:	Water
Liquid temperature range:	-20 .. 120 °C
Selected liquid temperature:	20 °C
Density:	998.2 kg/m ³
Electrical data:	
Motor type:	132SC
IE Efficiency class:	IE3
Rated power - P2:	5.5 kW
Power (P2) required by pump:	5.5 kW
Power (P2) required by pump:	5.5 kW
Mains frequency:	50 Hz
Rated voltage:	3 x 380-415D V
Rated current:	11 A
Starting current:	1080-1180 %
Cos phi - power factor:	0.87-0.82
Rated speed:	2920-2940 rpm
Efficiency:	IE3 89,2%
Motor efficiency at full load:	89.2 %
Motor efficiency at 3/4 load:	90.0 %
Motor efficiency at 1/2 load:	89.6 %
Number of poles:	2
Enclosure class (IEC 34-5):	55 Dust/Jetting





Company name:

Created by:

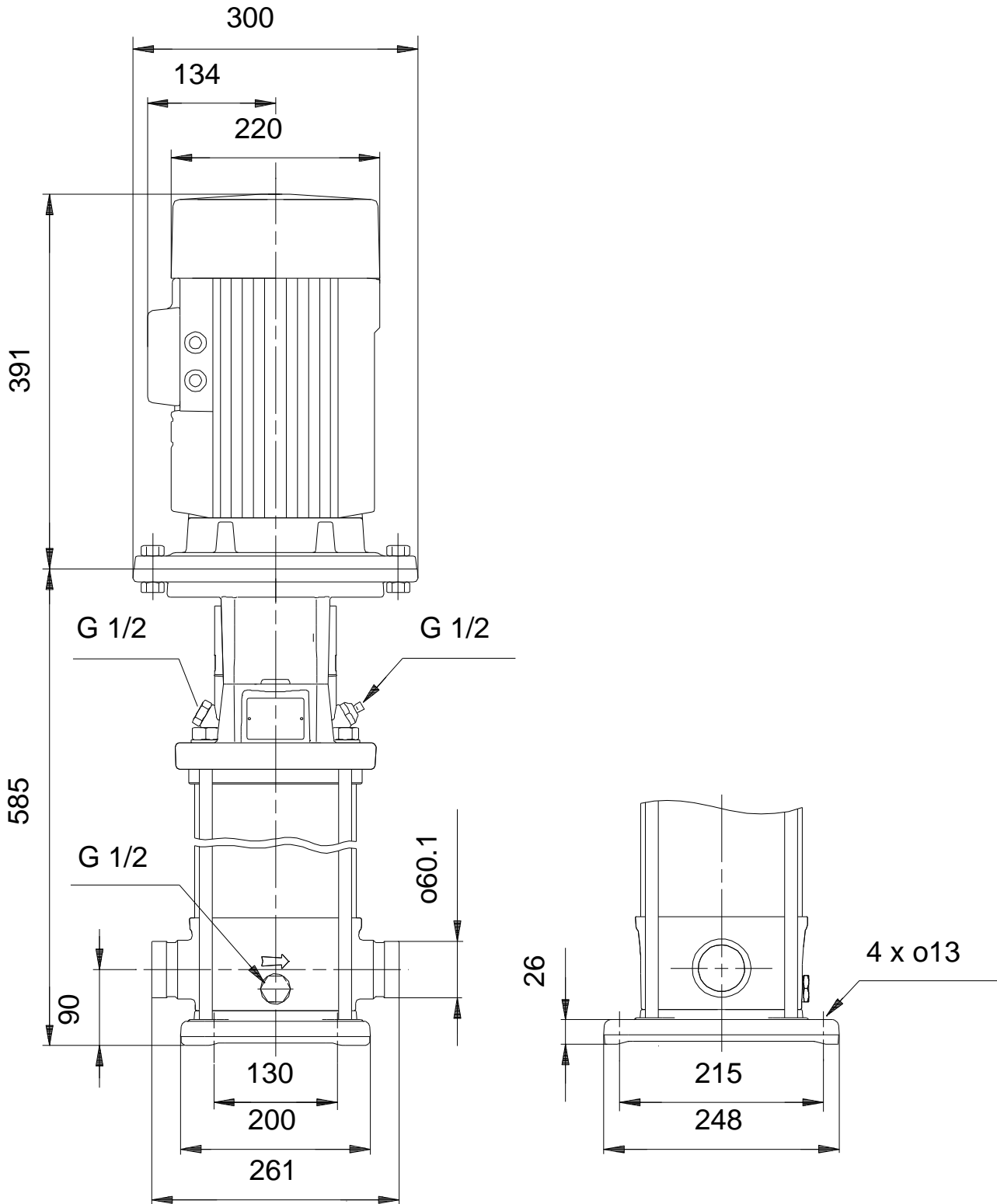
Phone:

Date:

19/01/2021

Description	Value
Insulation class (IEC 85):	F
Motor protec:	PTC
Motor No:	85U17417
Others:	
Minimum efficiency index, MEI %:	0.69
Net weight:	76 kg
Gross weight:	86 kg

96117247 CRT 16-5 A-P-A-E-AUUE 50 Hz



Note! All units are in [mm] unless others are stated.
Disclaimer: This simplified dimensional drawing does not show all details.

96117247 CRT 16-5 A-P-A-E-AUUE 50 Hz



IEC TP211 THERMALLY PROTECTED WHEN THE THERMISTORS ARE
CONNECTED TO AMPLIFIER RELAY FOR CONTROL OF MAIN SUPPLY
THERMISTORS PTC ACCORDING TO DIN 44082

Note! All units are in [mm] unless others are stated.