
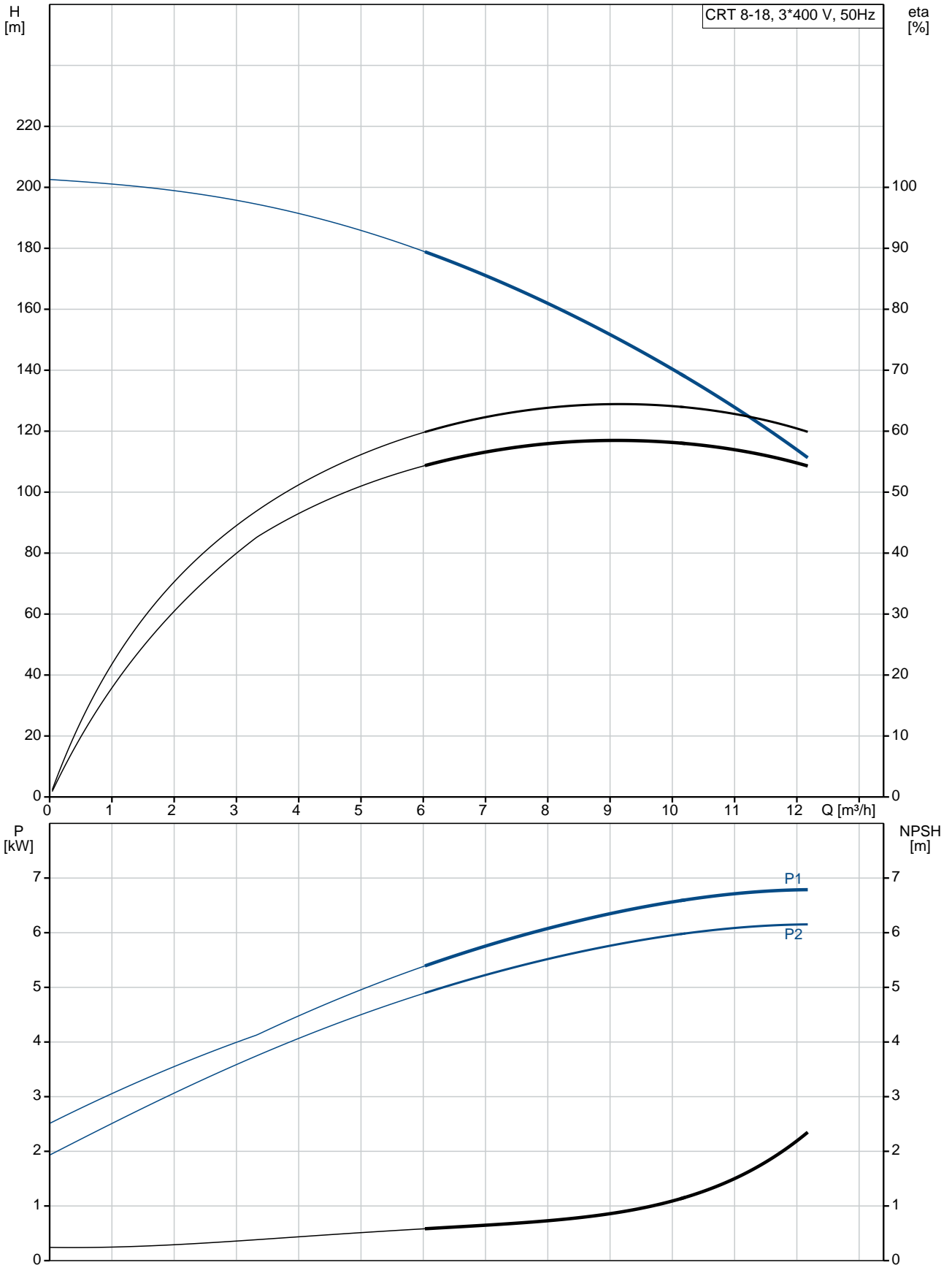


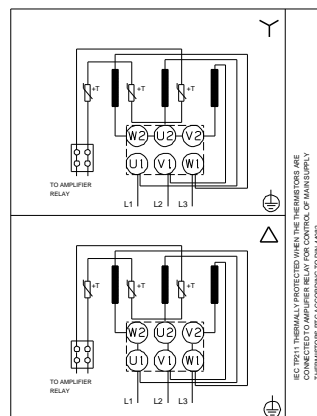
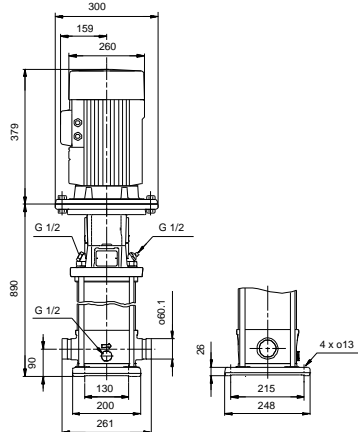
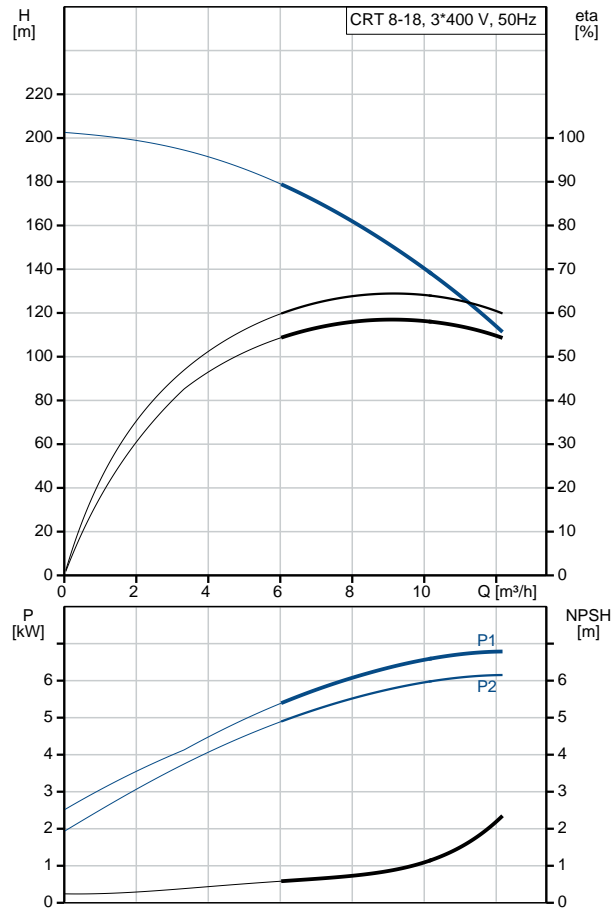
Qty.	Description
1	<p data-bbox="199 338 491 369"><b>CRT 8-18 A-P-A-E-AUUE</b></p>  <p data-bbox="199 663 469 689">Product No.: <a href="#">96117233</a></p> <p data-bbox="199 692 724 779">Vertical, non-self-priming, multistage, in-line, centrifugal pump for installation in pipe systems and mounting on a foundation.</p> <p data-bbox="199 808 679 837">The pump has the following characteristics:</p> <ul data-bbox="236 840 759 869" style="list-style-type: none"> <li>- Impellers, intermediate chambers and outer</li> </ul> <p data-bbox="199 871 887 900">Impeller: sleeve are made of Titanium.</p> <p data-bbox="199 902 1131 931">Pump housing: - Pump head cover and base are made of Titanium.</p> <ul data-bbox="236 934 670 963" style="list-style-type: none"> <li>- The shaft seal has assembly length</li> </ul> <p data-bbox="199 965 464 994">according to EN 12756.</p> <ul data-bbox="236 996 713 1048" style="list-style-type: none"> <li>- Power transmission is via cast iron split coupling.</li> </ul> <p data-bbox="199 1050 927 1106">Flange standard: - Pipework connection is via PJE flanges/couplings.</p> <p data-bbox="199 1135 940 1164">Phase: The motor is a 3-phase AC motor.</p> <p data-bbox="199 1193 277 1223">Liquid:</p> <p data-bbox="199 1225 635 1254">Pumped liquid: Water</p> <p data-bbox="199 1256 707 1285">Liquid temperature range: -20 .. 120 °C</p> <p data-bbox="199 1288 632 1317">Selected liquid temperature: 20 °C</p> <p data-bbox="199 1319 700 1348">Density: 998.2 kg/m<sup>3</sup></p> <p data-bbox="199 1377 319 1406">Technical:</p> <p data-bbox="199 1408 821 1438">Pump speed on which pump data are based: 2900 rpm</p> <p data-bbox="199 1440 660 1469">Rated flow: 9.5 m<sup>3</sup>/h</p> <p data-bbox="199 1471 659 1500">Rated head: 147.8 m</p> <p data-bbox="199 1503 636 1532">Primary shaft seal: AUUE</p> <p data-bbox="199 1534 641 1563">Approvals on nameplate: CE,TR</p> <p data-bbox="199 1565 764 1594">Curve tolerance: ISO9906:2012 3B</p> <p data-bbox="199 1624 312 1653">Materials:</p> <p data-bbox="199 1655 708 1711">Pump housing: Titanium ASTM B 265</p> <p data-bbox="199 1713 708 1769">Impeller: Titanium ASTM B 265</p> <p data-bbox="199 1771 639 1800">Bush material: NONE</p> <p data-bbox="199 1830 330 1859">Installation:</p> <p data-bbox="199 1861 632 1890">Maximum ambient temperature: 60 °C</p> <p data-bbox="199 1892 735 1926">Max pressure at stated temp: 25 bar / 120 °C</p> <p data-bbox="564 1928 730 1957">25 bar / -20 °C</p> <p data-bbox="199 1960 616 1989">Flange standard: PJE</p> <p data-bbox="199 1991 665 2020">Pipe connection: 60,3 mm</p> <p data-bbox="199 2022 639 2051">Flange size for motor: FF265</p> <p data-bbox="199 2080 368 2110">Electrical data:</p>

Qty.	Description
	<p>Motor type: 132SB</p> <p>IE Efficiency class: IE3</p> <p>Rated power - P2: 7.5 kW</p> <p>Power (P2) required by pump: 7.5 kW</p> <p>Mains frequency: 50 Hz</p> <p>Rated voltage: 3 x 380-415D/660-690Y V</p> <p>Rated current: 14,4-14,0/8,30-8,10 A</p> <p>Starting current: 780-910 %</p> <p>Cos phi - power factor: 0.88-0.82</p> <p>Rated speed: 2910-2920 rpm</p> <p>Efficiency: IE3 90,1%</p> <p>Motor efficiency at full load: 90.1-90.4 %</p> <p>Motor efficiency at 3/4 load: 90.8 %</p> <p>Motor efficiency at 1/2 load: 90.8 %</p> <p>Number of poles: 2</p> <p>Enclosure class (IEC 34-5): 55 Dust/Jetting</p> <p>Insulation class (IEC 85): F</p> <p>Motor No: 85U17522</p> <p>Others:</p> <p>Minimum efficiency index, MEI <math>\hat{\alpha}\%</math>: 0.7</p> <p>Net weight: 102 kg</p> <p>Gross weight: 112 kg</p>

## 96117233 CRT 8-18 A-P-A-E-AUUE 50 Hz



Description	Value
<b>General information:</b>	
Product name:	CRT 8-18 A-P-A-E-AUUE
Product No:	96117233
EAN number:	5700396595870
Price:	
<b>Technical:</b>	
Pump speed on which pump data are based:	2900 rpm
Rated flow:	9.5 m³/h
Rated head:	147.8 m
Maximum head:	198.8 m
Head max:	198.8 m
Stages:	18
Impellers:	18
Primary shaft seal:	AUUE
Approvals on nameplate:	CE,TR
Curve tolerance:	ISO9906:2012 3B
Pump version:	A
Model:	A
<b>Materials:</b>	
Pump housing:	Titanium
Pump housing:	ASTM B 265
Impeller:	Titanium
Impeller:	ASTM B 265
Material code:	A
Code for rubber:	E
Bush material:	NONE
<b>Installation:</b>	
Maximum ambient temperature:	60 °C
Max pressure at stated temp:	25 bar / 120 °C
Max pressure at stated temp:	25 bar / -20 °C
Flange standard:	PJE
Pipe connection:	60,3 mm
Flange size for motor:	FF265
Connect code:	P
<b>Liquid:</b>	
Pumped liquid:	Water
Liquid temperature range:	-20 .. 120 °C
Selected liquid temperature:	20 °C
Density:	998.2 kg/m³
<b>Electrical data:</b>	
Motor type:	132SB
IE Efficiency class:	IE3
Rated power - P2:	7.5 kW
Power (P2) required by pump:	7.5 kW
Power (P2) required by pump:	7.5 kW
Mains frequency:	50 Hz
Rated voltage:	3 x 380-415D/660-690Y V
Rated current:	14,4-14,0/8,30-8,10 A
Starting current:	780-910 %
Cos phi - power factor:	0.88-0.82
Rated speed:	2910-2920 rpm
Efficiency:	IE3 90,1%
Motor efficiency at full load:	90.1-90.4 %
Motor efficiency at 3/4 load:	90.8 %
Motor efficiency at 1/2 load:	90.8 %
Number of poles:	2





Company name:

Created by:

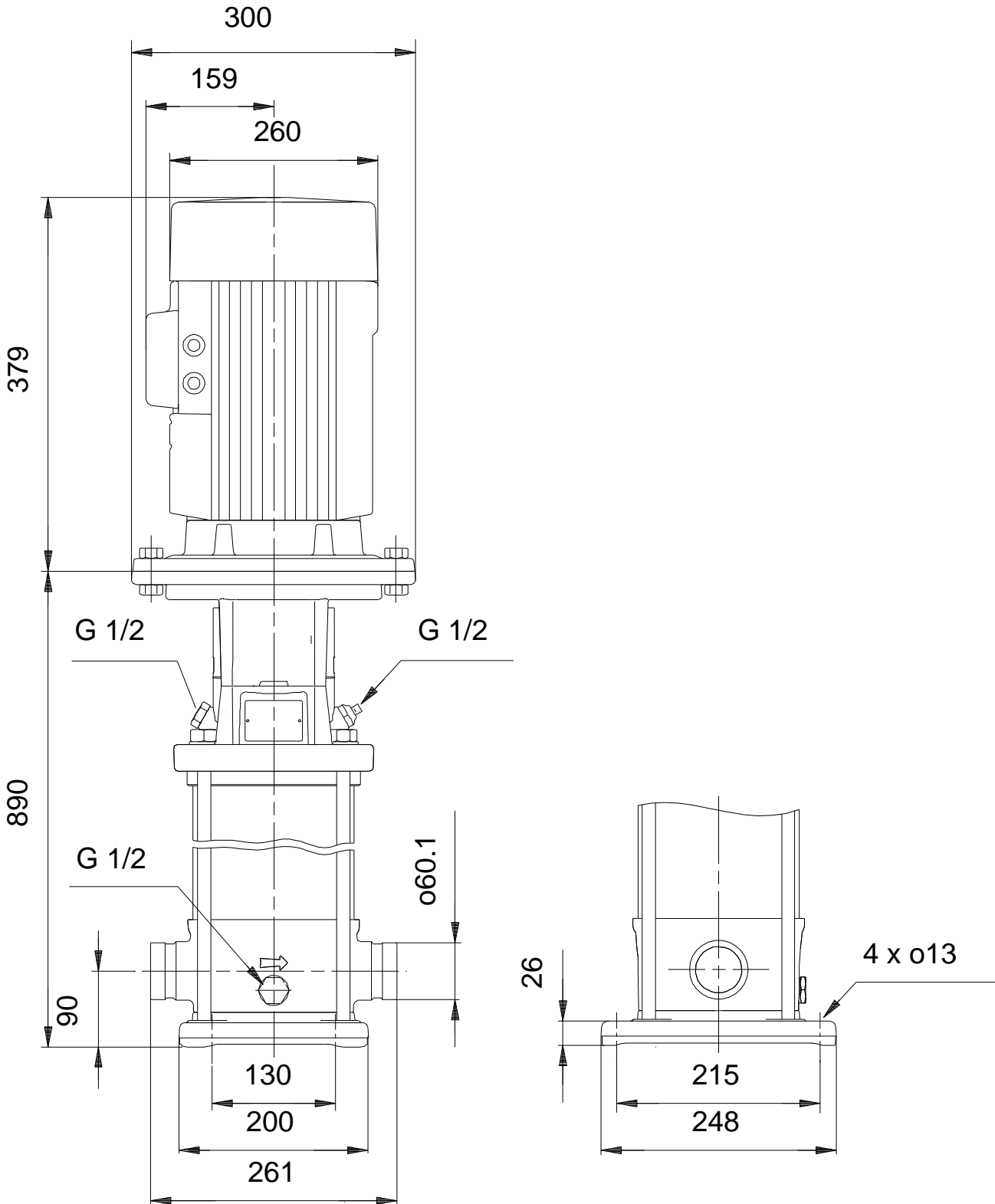
Phone:

Date:

19/01/2021

Description	Value
Enclosure class (IEC 34-5):	55 Dust/Jetting
Insulation class (IEC 85):	F
Motor protec:	PTC
Motor No:	85U17522
<b>Others:</b>	
Minimum efficiency index, MEI %:	0.7
Net weight:	102 kg
Gross weight:	112 kg

## 96117233 CRT 8-18 A-P-A-E-AUUE 50 Hz



Note! All units are in [mm] unless others are stated.  
Disclaimer: This simplified dimensional drawing does not show all details.

## 96117233 CRT 8-18 A-P-A-E-AUUE 50 Hz



IEC TP211 THERMALLY PROTECTED WHEN THE THERMISTORS ARE  
CONNECTED TO AMPLIFIER RELAY FOR CONTROL OF MAIN SUPPLY  
THERMISTORS PTC ACCORDING TO DIN 44082

Note! All units are in [mm] unless others are stated.