
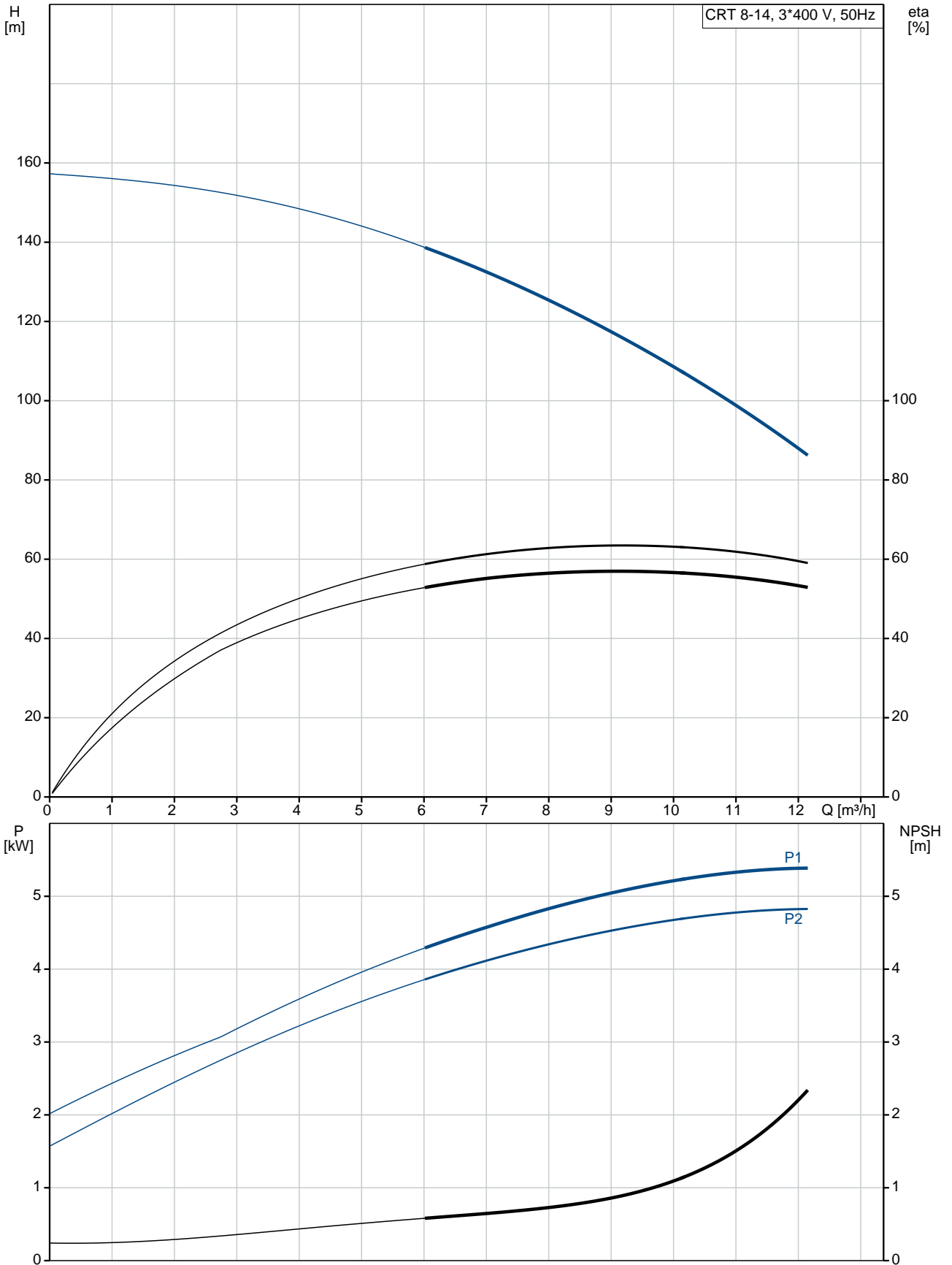


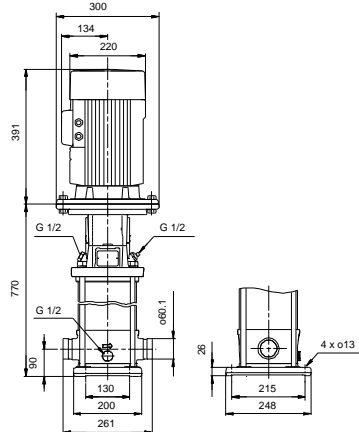
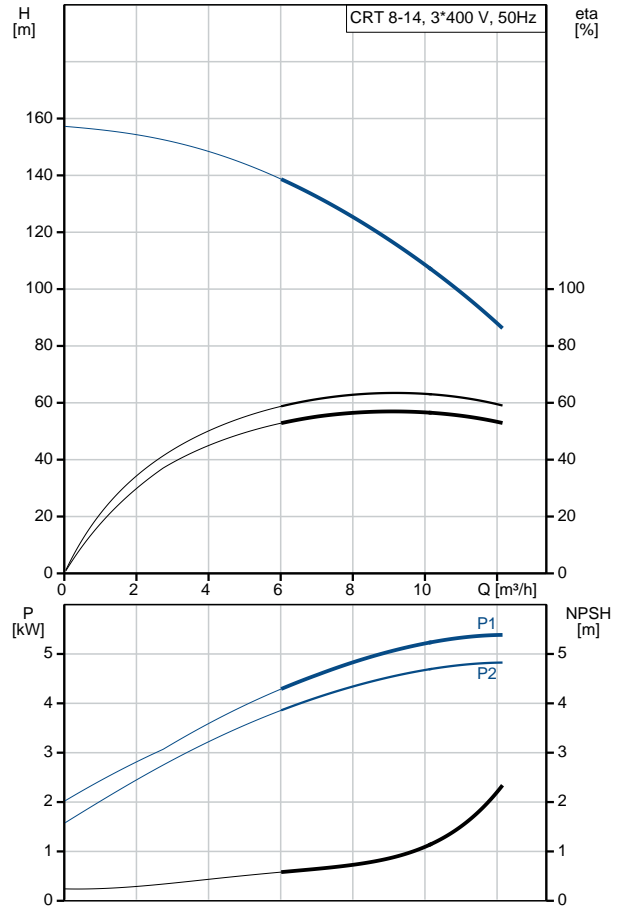
Qty.	Description
1	<p data-bbox="199 338 491 367">CRT 8-14 A-P-A-E-AUUE</p>  <p data-bbox="199 660 466 689">Product No.: 96117231</p> <p data-bbox="199 689 724 779">Vertical, non-self-priming, multistage, in-line, centrifugal pump for installation in pipe systems and mounting on a foundation.</p> <p data-bbox="199 808 679 837">The pump has the following characteristics:</p> <ul data-bbox="236 837 759 866" style="list-style-type: none"> - Impellers, intermediate chambers and outer <p data-bbox="199 866 887 896">Impeller: sleeve are made of Titanium.</p> <p data-bbox="199 896 1131 925">Pump housing: - Pump head cover and base are made of Titanium.</p> <ul data-bbox="236 925 668 954" style="list-style-type: none"> - The shaft seal has assembly length <p data-bbox="199 954 462 983">according to EN 12756.</p> <ul data-bbox="236 983 713 1048" style="list-style-type: none"> - Power transmission is via cast iron split coupling. <p data-bbox="199 1048 927 1106">Flange standard: - Pipework connection is via PJE flanges/couplings.</p> <p data-bbox="199 1135 940 1164">Phase: The motor is a 3-phase AC motor.</p> <p data-bbox="199 1193 277 1223">Liquid:</p> <p data-bbox="199 1223 635 1252">Pumped liquid: Water</p> <p data-bbox="199 1252 707 1281">Liquid temperature range: -20 .. 120 °C</p> <p data-bbox="199 1281 632 1310">Selected liquid temperature: 20 °C</p> <p data-bbox="199 1310 699 1339">Density: 998.2 kg/m³</p> <p data-bbox="199 1368 319 1397">Technical:</p> <p data-bbox="199 1397 821 1426">Pump speed on which pump data are based: 2900 rpm</p> <p data-bbox="199 1426 660 1456">Rated flow: 9.5 m³/h</p> <p data-bbox="199 1456 636 1485">Rated head: 116 m</p> <p data-bbox="199 1485 636 1514">Primary shaft seal: AUUE</p> <p data-bbox="199 1514 641 1543">Approvals on nameplate: CE,TR</p> <p data-bbox="199 1543 764 1572">Curve tolerance: ISO9906:2012 3B</p> <p data-bbox="199 1601 312 1630">Materials:</p> <p data-bbox="199 1630 708 1695">Pump housing: Titanium ASTM B 265</p> <p data-bbox="199 1695 708 1760">Impeller: Titanium ASTM B 265</p> <p data-bbox="199 1760 639 1789">Bush material: NONE</p> <p data-bbox="199 1818 330 1848">Installation:</p> <p data-bbox="199 1848 632 1877">Maximum ambient temperature: 60 °C</p> <p data-bbox="199 1877 734 1942">Max pressure at stated temp: 25 bar / 120 °C 25 bar / -20 °C</p> <p data-bbox="199 1942 614 1971">Flange standard: PJE</p> <p data-bbox="199 1971 665 2000">Pipe connection: 60,3 mm</p> <p data-bbox="199 2000 639 2029">Flange size for motor: FF265</p> <p data-bbox="199 2058 367 2087">Electrical data:</p>

Qty.	Description
	<p>Motor type: 132SC</p> <p>IE Efficiency class: IE3</p> <p>Rated power - P2: 5.5 kW</p> <p>Power (P2) required by pump: 5.5 kW</p> <p>Mains frequency: 50 Hz</p> <p>Rated voltage: 3 x 380-415D V</p> <p>Rated current: 11 A</p> <p>Starting current: 1080-1180 %</p> <p>Cos phi - power factor: 0.87-0.82</p> <p>Rated speed: 2920-2940 rpm</p> <p>Efficiency: IE3 89,2%</p> <p>Motor efficiency at full load: 89.2 %</p> <p>Motor efficiency at 3/4 load: 90.0 %</p> <p>Motor efficiency at 1/2 load: 89.6 %</p> <p>Number of poles: 2</p> <p>Enclosure class (IEC 34-5): 55 Dust/Jetting</p> <p>Insulation class (IEC 85): F</p> <p>Motor No: 85U17417</p> <p>Others:</p> <p>Minimum efficiency index, MEI $\hat{\alpha}\%$: 0.7</p> <p>Net weight: 82 kg</p> <p>Gross weight: 92 kg</p>

96117231 CRT 8-14 A-P-A-E-AUUE 50 Hz



Description	Value
General information:	
Product name:	CRT 8-14 A-P-A-E-AUUE
Product No:	96117231
EAN number:	5700396595849
Price:	
Technical:	
Pump speed on which pump data are based:	2900 rpm
Rated flow:	9.5 m ³ /h
Rated head:	116 m
Maximum head:	154.1 m
Head max:	154.1 m
Stages:	14
Impellers:	14
Primary shaft seal:	AUUE
Approvals on nameplate:	CE,TR
Curve tolerance:	ISO9906:2012 3B
Pump version:	A
Model:	A
Materials:	
Pump housing:	Titanium
Pump housing:	ASTM B 265
Impeller:	Titanium
Impeller:	ASTM B 265
Material code:	A
Code for rubber:	E
Bush material:	NONE
Installation:	
Maximum ambient temperature:	60 °C
Max pressure at stated temp:	25 bar / 120 °C
Max pressure at stated temp:	25 bar / -20 °C
Flange standard:	PJE
Pipe connection:	60,3 mm
Flange size for motor:	FF265
Connect code:	P
Liquid:	
Pumped liquid:	Water
Liquid temperature range:	-20 .. 120 °C
Selected liquid temperature:	20 °C
Density:	998.2 kg/m ³
Electrical data:	
Motor type:	132SC
IE Efficiency class:	IE3
Rated power - P2:	5.5 kW
Power (P2) required by pump:	5.5 kW
Power (P2) required by pump:	5.5 kW
Mains frequency:	50 Hz
Rated voltage:	3 x 380-415D V
Rated current:	11 A
Starting current:	1080-1180 %
Cos phi - power factor:	0.87-0.82
Rated speed:	2920-2940 rpm
Efficiency:	IE3 89,2%
Motor efficiency at full load:	89.2 %
Motor efficiency at 3/4 load:	90.0 %
Motor efficiency at 1/2 load:	89.6 %
Number of poles:	2
Enclosure class (IEC 34-5):	55 Dust/Jetting





Company name:

Created by:

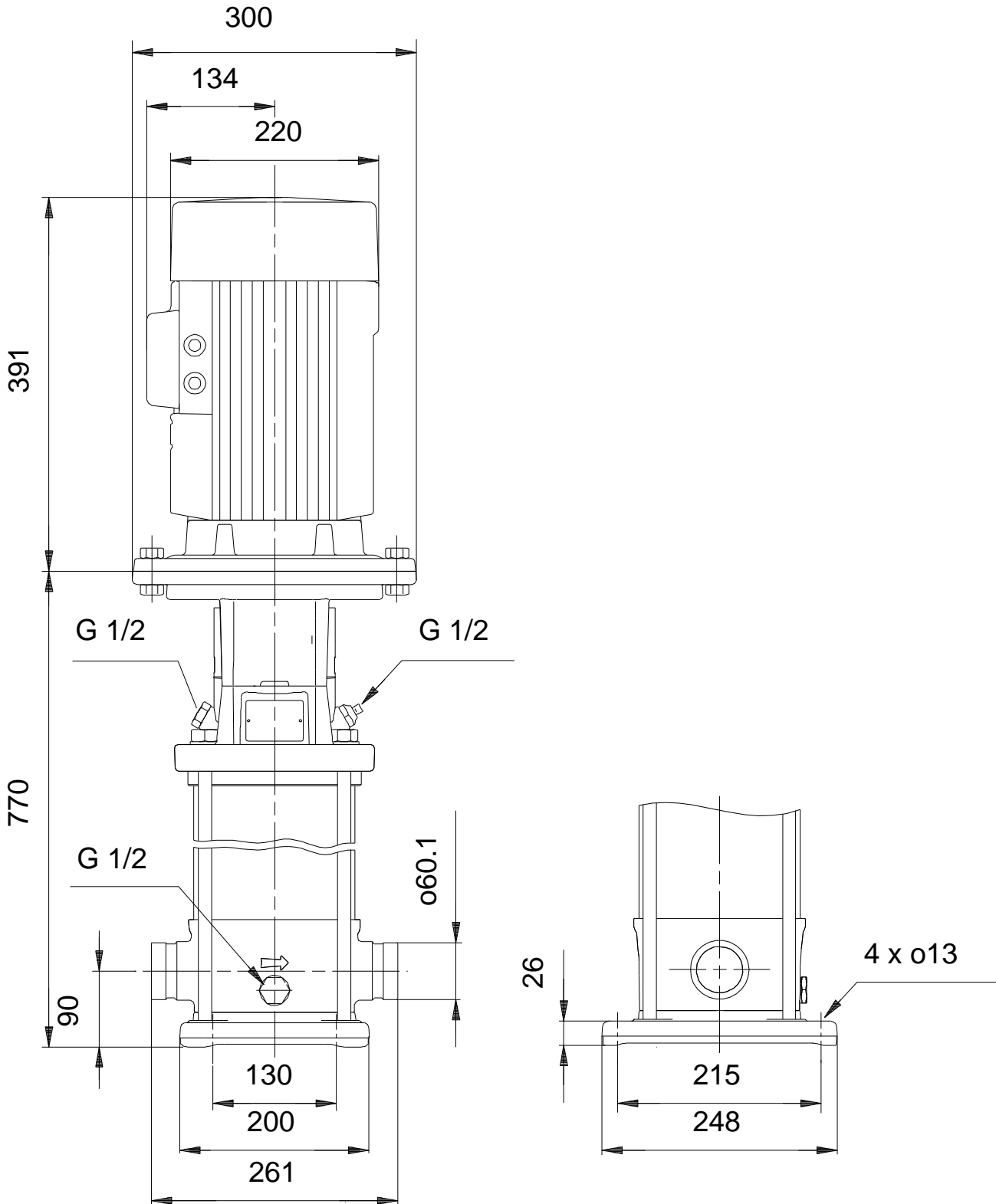
Phone:

Date:

19/01/2021

Description	Value
Insulation class (IEC 85):	F
Motor protec:	PTC
Motor No:	85U17417
Others:	
Minimum efficiency index, MEI %:	0.7
Net weight:	82 kg
Gross weight:	92 kg

96117231 CRT 8-14 A-P-A-E-AUUE 50 Hz



Note! All units are in [mm] unless others are stated.
Disclaimer: This simplified dimensional drawing does not show all details.

96117231 CRT 8-14 A-P-A-E-AUUE 50 Hz



Note! All units are in [mm] unless others are stated.