
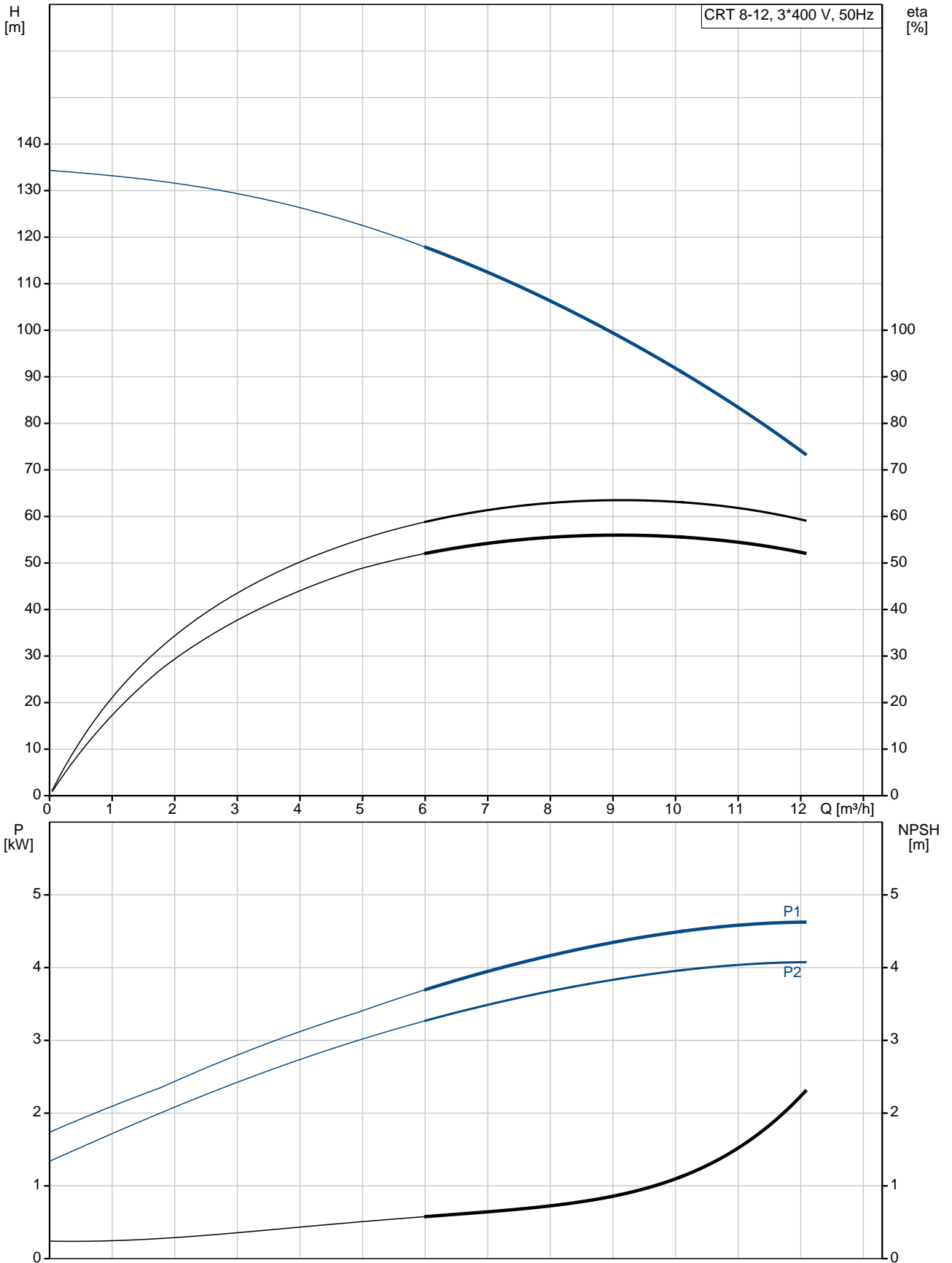


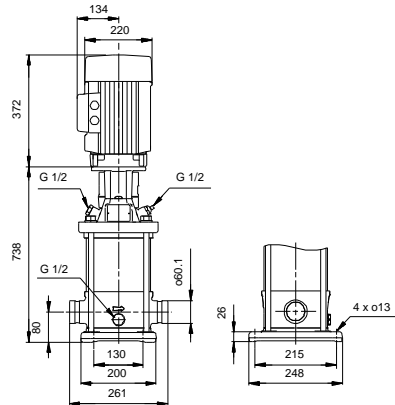
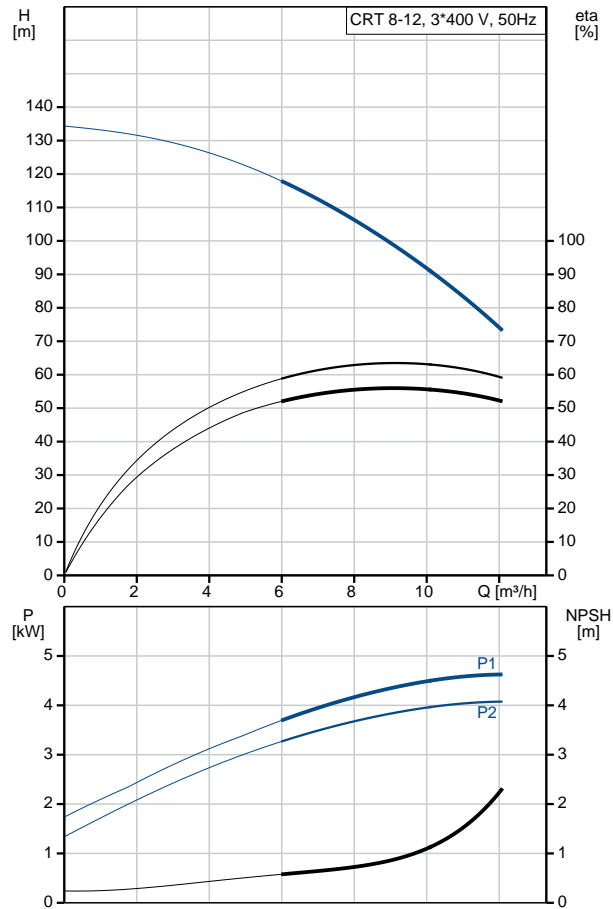
Qty.	Description
1	<p data-bbox="199 338 491 367">CRT 8-12 A-P-A-E-AUUE</p>  <p data-bbox="199 660 469 689">Product No.: 96117230</p> <p data-bbox="199 689 724 779">Vertical, non-self-priming, multistage, in-line, centrifugal pump for installation in pipe systems and mounting on a foundation.</p> <p data-bbox="199 808 679 837">The pump has the following characteristics:</p> <ul data-bbox="236 837 759 866" style="list-style-type: none"> - Impellers, intermediate chambers and outer <p data-bbox="199 866 887 896">Impeller: sleeve are made of Titanium.</p> <p data-bbox="199 896 1133 925">Pump housing: - Pump head cover and base are made of Titanium.</p> <ul data-bbox="236 925 670 954" style="list-style-type: none"> - The shaft seal has assembly length <p data-bbox="199 954 462 983">according to EN 12756.</p> <ul data-bbox="236 983 713 1046" style="list-style-type: none"> - Power transmission is via cast iron split coupling. <p data-bbox="199 1046 927 1108">Flange standard: - Pipework connection is via PJE flanges/couplings.</p> <p data-bbox="199 1133 940 1162">Phase: The motor is a 3-phase AC motor.</p> <p data-bbox="199 1193 277 1223">Liquid:</p> <p data-bbox="199 1223 635 1252">Pumped liquid: Water</p> <p data-bbox="199 1252 707 1281">Liquid temperature range: -20 .. 120 °C</p> <p data-bbox="199 1281 632 1310">Selected liquid temperature: 20 °C</p> <p data-bbox="199 1310 700 1339">Density: 998.2 kg/m³</p> <p data-bbox="199 1370 319 1400">Technical:</p> <p data-bbox="199 1400 823 1429">Pump speed on which pump data are based: 2900 rpm</p> <p data-bbox="199 1429 660 1458">Rated flow: 9.5 m³/h</p> <p data-bbox="199 1458 644 1487">Rated head: 98.9 m</p> <p data-bbox="199 1487 636 1516">Primary shaft seal: AUUE</p> <p data-bbox="199 1516 641 1545">Approvals on nameplate: CE,TR</p> <p data-bbox="199 1545 764 1574">Curve tolerance: ISO9906:2012 3B</p> <p data-bbox="199 1606 312 1635">Materials:</p> <p data-bbox="199 1635 708 1697">Pump housing: Titanium ASTM B 265</p> <p data-bbox="199 1697 708 1760">Impeller: Titanium ASTM B 265</p> <p data-bbox="199 1760 639 1789">Bush material: NONE</p> <p data-bbox="199 1821 330 1850">Installation:</p> <p data-bbox="199 1850 632 1879">Maximum ambient temperature: 60 °C</p> <p data-bbox="199 1879 735 1942">Max pressure at stated temp: 25 bar / 120 °C 25 bar / -20 °C</p> <p data-bbox="199 1942 616 1971">Flange standard: PJE</p> <p data-bbox="199 1971 665 2000">Pipe connection: 60,3 mm</p> <p data-bbox="199 2000 639 2029">Flange size for motor: FT130</p> <p data-bbox="199 2060 367 2089">Electrical data:</p>

Qty.	Description
	<p>Motor type: 112MC</p> <p>IE Efficiency class: IE3</p> <p>Rated power - P2: 4 kW</p> <p>Power (P2) required by pump: 4 kW</p> <p>Mains frequency: 50 Hz</p> <p>Rated voltage: 3 x 380-415D V</p> <p>Rated current: 7.9 A</p> <p>Starting current: 1000-1110 %</p> <p>Cos phi - power factor: 0.87-0.87</p> <p>Rated speed: 2920-2940 rpm</p> <p>Efficiency: IE3 88,1%</p> <p>Motor efficiency at full load: 88.1 %</p> <p>Motor efficiency at 3/4 load: 88.6 %</p> <p>Motor efficiency at 1/2 load: 85.2 %</p> <p>Number of poles: 2</p> <p>Enclosure class (IEC 34-5): 55 Dust/Jetting</p> <p>Insulation class (IEC 85): F</p> <p>Motor No: 85U15413</p> <p>Others:</p> <p>Minimum efficiency index, MEI $\hat{\alpha}\%$: 0.7</p> <p>Net weight: 61 kg</p> <p>Gross weight: 71 kg</p>

96117230 CRT 8-12 A-P-A-E-AUUE 50 Hz



Description	Value
General information:	
Product name:	CRT 8-12 A-P-A-E-AUUE
Product No:	96117230
EAN number:	5700396595832
Price:	
Technical:	
Pump speed on which pump data are based:	2900 rpm
Rated flow:	9.5 m ³ /h
Rated head:	98.9 m
Maximum head:	131.2 m
Head max:	131.2 m
Stages:	14
Impellers:	12
Primary shaft seal:	AUUE
Approvals on nameplate:	CE,TR
Curve tolerance:	ISO9906:2012 3B
Pump version:	A
Model:	A
Materials:	
Pump housing:	Titanium
Pump housing:	ASTM B 265
Impeller:	Titanium
Impeller:	ASTM B 265
Material code:	A
Code for rubber:	E
Bush material:	NONE
Installation:	
Maximum ambient temperature:	60 °C
Max pressure at stated temp:	25 bar / 120 °C
Max pressure at stated temp:	25 bar / -20 °C
Flange standard:	PJE
Pipe connection:	60,3 mm
Flange size for motor:	FT130
Connect code:	P
Liquid:	
Pumped liquid:	Water
Liquid temperature range:	-20 .. 120 °C
Selected liquid temperature:	20 °C
Density:	998.2 kg/m ³
Electrical data:	
Motor type:	112MC
IE Efficiency class:	IE3
Rated power - P2:	4 kW
Power (P2) required by pump:	4 kW
Power (P2) required by pump:	4 kW
Mains frequency:	50 Hz
Rated voltage:	3 x 380-415D V
Rated current:	7.9 A
Starting current:	1000-1110 %
Cos phi - power factor:	0.87-0.87
Rated speed:	2920-2940 rpm
Efficiency:	IE3 88,1%
Motor efficiency at full load:	88.1 %
Motor efficiency at 3/4 load:	88.6 %
Motor efficiency at 1/2 load:	85.2 %
Number of poles:	2
Enclosure class (IEC 34-5):	55 Dust/Jetting





Company name:

Created by:

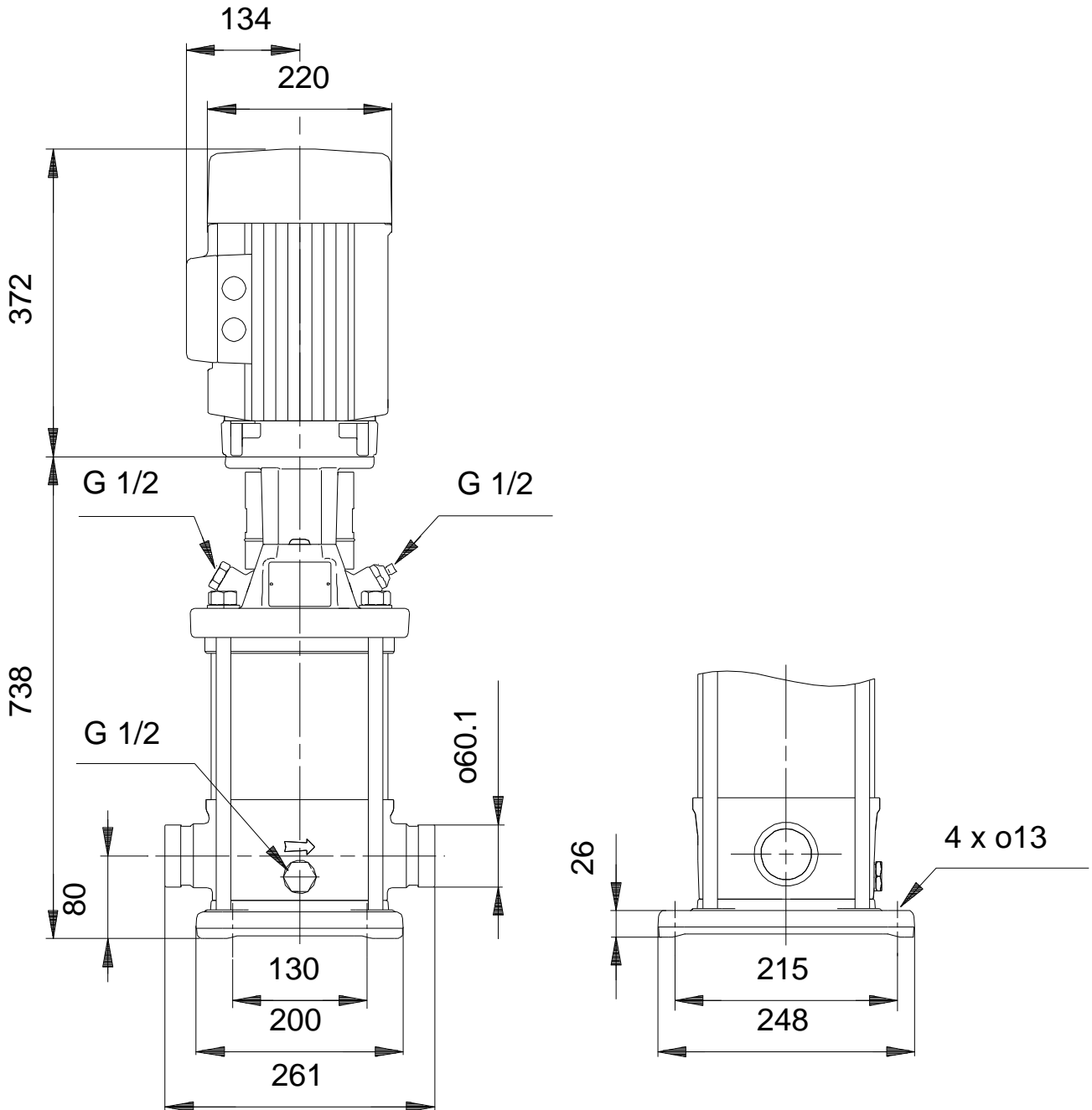
Phone:

Date:

19/01/2021

Description	Value
Insulation class (IEC 85):	F
Motor protec:	PTC
Motor No:	85U15413
Others:	
Minimum efficiency index, MEI %:	0.7
Net weight:	61 kg
Gross weight:	71 kg

96117230 CRT 8-12 A-P-A-E-AUUE 50 Hz



Note! All units are in [mm] unless others are stated.
Disclaimer: This simplified dimensional drawing does not show all details.

96117230 CRT 8-12 A-P-A-E-AUUE 50 Hz



Note! All units are in [mm] unless others are stated.