
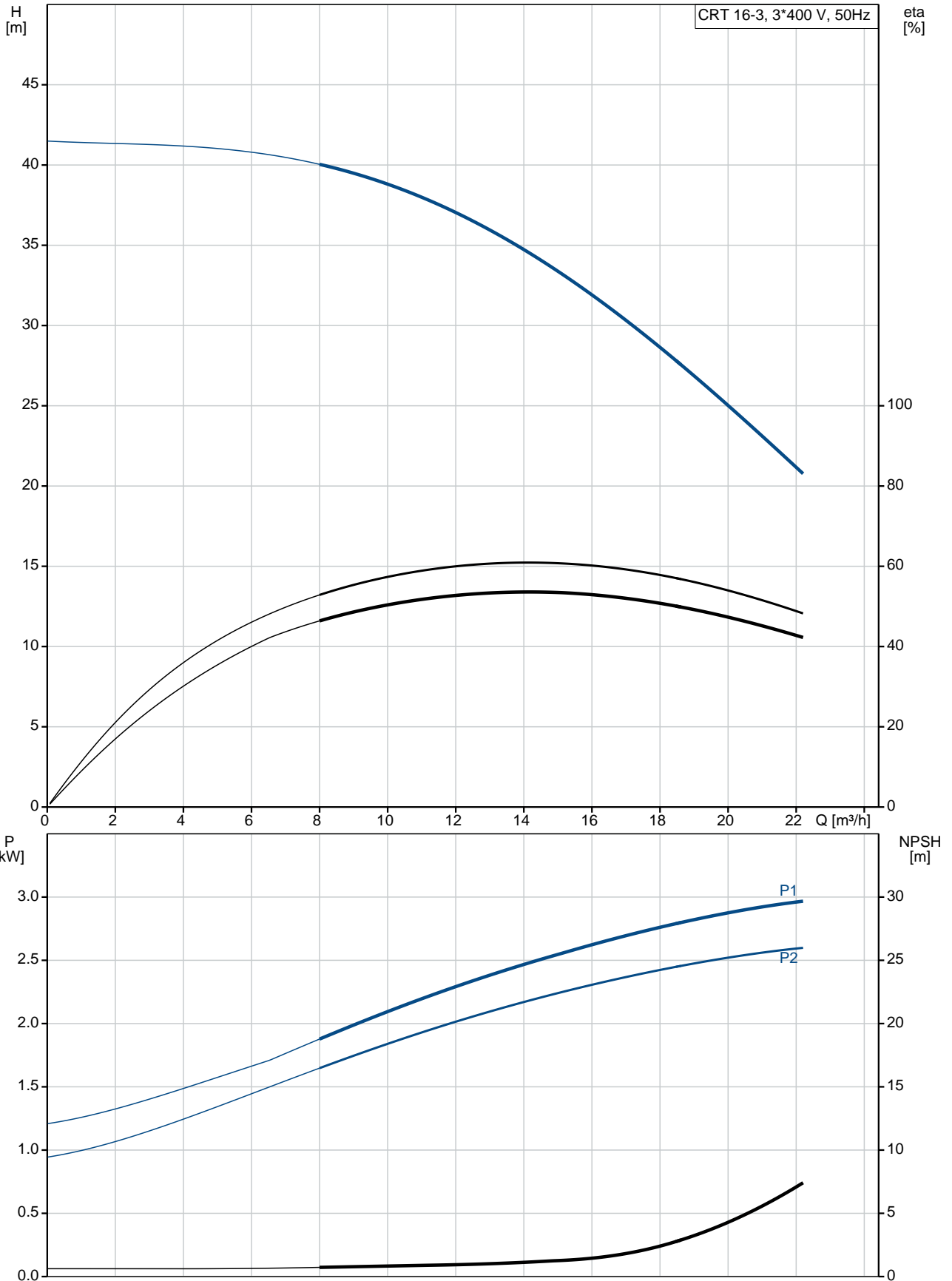


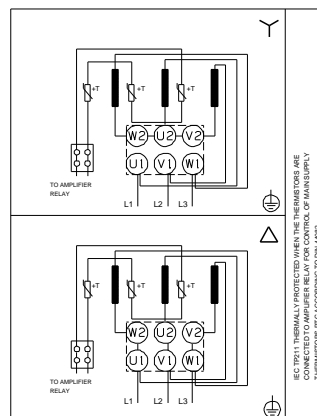
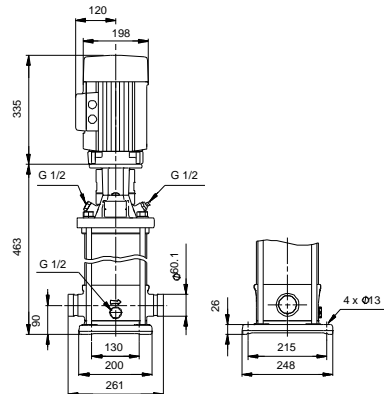
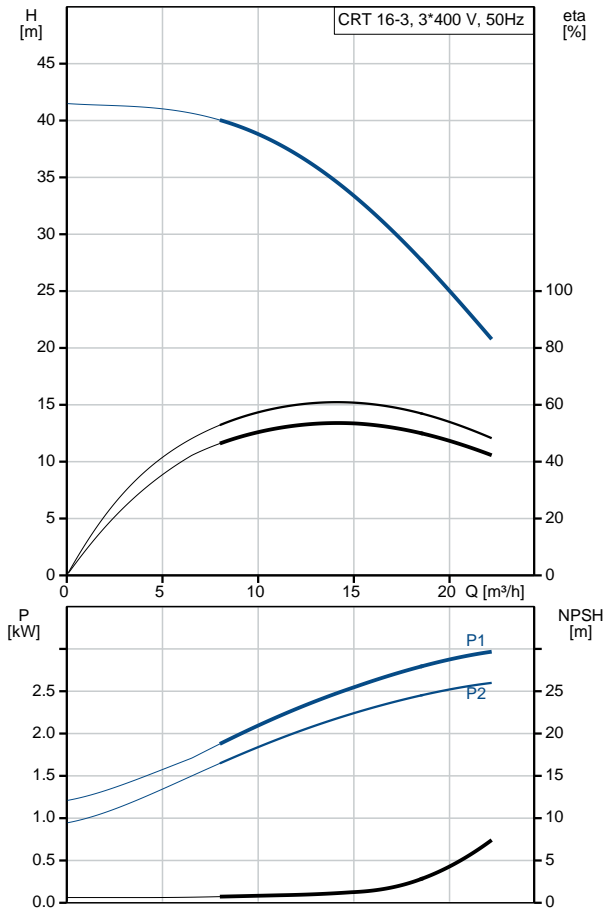
Qty.	Description
1	<p data-bbox="199 336 494 369">CRT 16-3 A-P-A-E-AUUE</p>  <p data-bbox="199 660 478 683">Product No.: 96108345</p> <p data-bbox="199 689 726 772">Vertical, non-self-priming, multistage, in-line, centrifugal pump for installation in pipe systems and mounting on a foundation.</p> <p data-bbox="199 806 678 828">The pump has the following characteristics:</p> <ul data-bbox="231 840 758 862" style="list-style-type: none"> - Impellers, intermediate chambers and outer <p data-bbox="199 869 885 891">Impeller: sleeve are made of Titanium.</p> <p data-bbox="199 898 1133 920">Pump housing: - Pump head cover and base are made of Titanium.</p> <ul data-bbox="231 927 670 949" style="list-style-type: none"> - The shaft seal has assembly length <p data-bbox="199 956 462 978">according to EN 12756.</p> <ul data-bbox="231 985 710 1008" style="list-style-type: none"> - Power transmission is via cast iron split <p data-bbox="199 1014 303 1037">coupling.</p> <p data-bbox="199 1043 925 1066">Flange standard: - Pipework connection is via PJE</p> <p data-bbox="199 1072 399 1095">flanges/couplings.</p> <p data-bbox="199 1128 941 1151">Phase: The motor is a 3-phase AC motor.</p> <p data-bbox="199 1193 279 1216">Liquid:</p> <p data-bbox="199 1223 630 1245">Pumped liquid: Water</p> <p data-bbox="199 1252 710 1274">Liquid temperature range: -20 .. 120 °C</p> <p data-bbox="199 1281 630 1303">Selected liquid temperature: 20 °C</p> <p data-bbox="199 1310 702 1332">Density: 998.2 kg/m³</p> <p data-bbox="199 1366 319 1388">Technical:</p> <p data-bbox="199 1395 821 1417">Pump speed on which pump data are based: 2900 rpm</p> <p data-bbox="199 1424 654 1447">Rated flow: 16 m³/h</p> <p data-bbox="199 1453 646 1476">Rated head: 32.3 m</p> <p data-bbox="199 1482 638 1505">Primary shaft seal: AUUE</p> <p data-bbox="199 1512 646 1534">Approvals on nameplate: CE,TR</p> <p data-bbox="199 1541 766 1563">Curve tolerance: ISO9906:2012 3B</p> <p data-bbox="199 1597 311 1619">Materials:</p> <p data-bbox="199 1626 710 1648">Pump housing: Titanium</p> <p data-bbox="558 1655 710 1677">ASTM B 265</p> <p data-bbox="199 1684 710 1706">Impeller: Titanium</p> <p data-bbox="558 1713 710 1736">ASTM B 265</p> <p data-bbox="199 1742 638 1765">Bush material: NONE</p> <p data-bbox="199 1798 327 1821">Installation:</p> <p data-bbox="199 1827 630 1850">Maximum ambient temperature: 60 °C</p> <p data-bbox="199 1856 734 1879">Max pressure at stated temp: 25 bar / 120 °C</p> <p data-bbox="558 1886 734 1908">25 bar / -20 °C</p> <p data-bbox="199 1915 614 1937">Flange standard: PJE</p> <p data-bbox="199 1944 662 1966">Pipe connection: 60,3 mm</p> <p data-bbox="199 1973 638 1995">Flange size for motor: FT130</p> <p data-bbox="199 2029 367 2051">Electrical data:</p>

Qty.	Description
	<p>Motor type: 100LC IE Efficiency class: IE3 Rated power - P2: 3 kW Power (P2) required by pump: 3 kW 3 kW Mains frequency: 50 Hz Rated voltage: 3 x 220-240D/380-415Y V Rated current: 11.0/6.30 A Starting current: 840-920 % Cos phi - power factor: 0.87-0.82 Rated speed: 2900-2920 rpm Efficiency: IE3 87,1% Motor efficiency at full load: 87.1 % Motor efficiency at 3/4 load: 88.0 % Motor efficiency at 1/2 load: 87.7 % Number of poles: 2 Enclosure class (IEC 34-5): 55 Dust/Jetting Insulation class (IEC 85): F Motor No: 85U05510</p> <p>Others: Minimum efficiency index, MEI $\hat{\alpha}\%$: 0.69 Net weight: 42 kg Gross weight: 52 kg</p>

96108345 CRT 16-3 A-P-A-E-AUUE 50 Hz



Description	Value
General information:	
Product name:	CRT 16-3 A-P-A-E-AUUE
Product No:	96108345
EAN number:	5700396403151
Price:	
Technical:	
Pump speed on which pump data are based:	2900 rpm
Rated flow:	16 m ³ /h
Rated head:	32.3 m
Maximum head:	43.1 m
Head max:	43.1 m
Stages:	3
Impellers:	3
Primary shaft seal:	AUUE
Approvals on nameplate:	CE, TR
Curve tolerance:	ISO9906:2012 3B
Pump version:	A
Model:	A
Materials:	
Pump housing:	Titanium
Pump housing:	ASTM B 265
Impeller:	Titanium
Impeller:	ASTM B 265
Material code:	A
Code for rubber:	E
Bush material:	NONE
Installation:	
Maximum ambient temperature:	60 °C
Max pressure at stated temp:	25 bar / 120 °C
Max pressure at stated temp:	25 bar / -20 °C
Flange standard:	PJE
Pipe connection:	60,3 mm
Flange size for motor:	FT130
Connect code:	P
Liquid:	
Pumped liquid:	Water
Liquid temperature range:	-20 .. 120 °C
Selected liquid temperature:	20 °C
Density:	998.2 kg/m ³
Electrical data:	
Motor type:	100LC
IE Efficiency class:	IE3
Rated power - P2:	3 kW
Power (P2) required by pump:	3 kW
Power (P2) required by pump:	3 kW
Mains frequency:	50 Hz
Rated voltage:	3 x 220-240D/380-415Y V
Rated current:	11.0/6.30 A
Starting current:	840-920 %
Cos phi - power factor:	0.87-0.82
Rated speed:	2900-2920 rpm
Efficiency:	IE3 87,1%
Motor efficiency at full load:	87.1 %
Motor efficiency at 3/4 load:	88.0 %
Motor efficiency at 1/2 load:	87.7 %
Number of poles:	2





Company name:

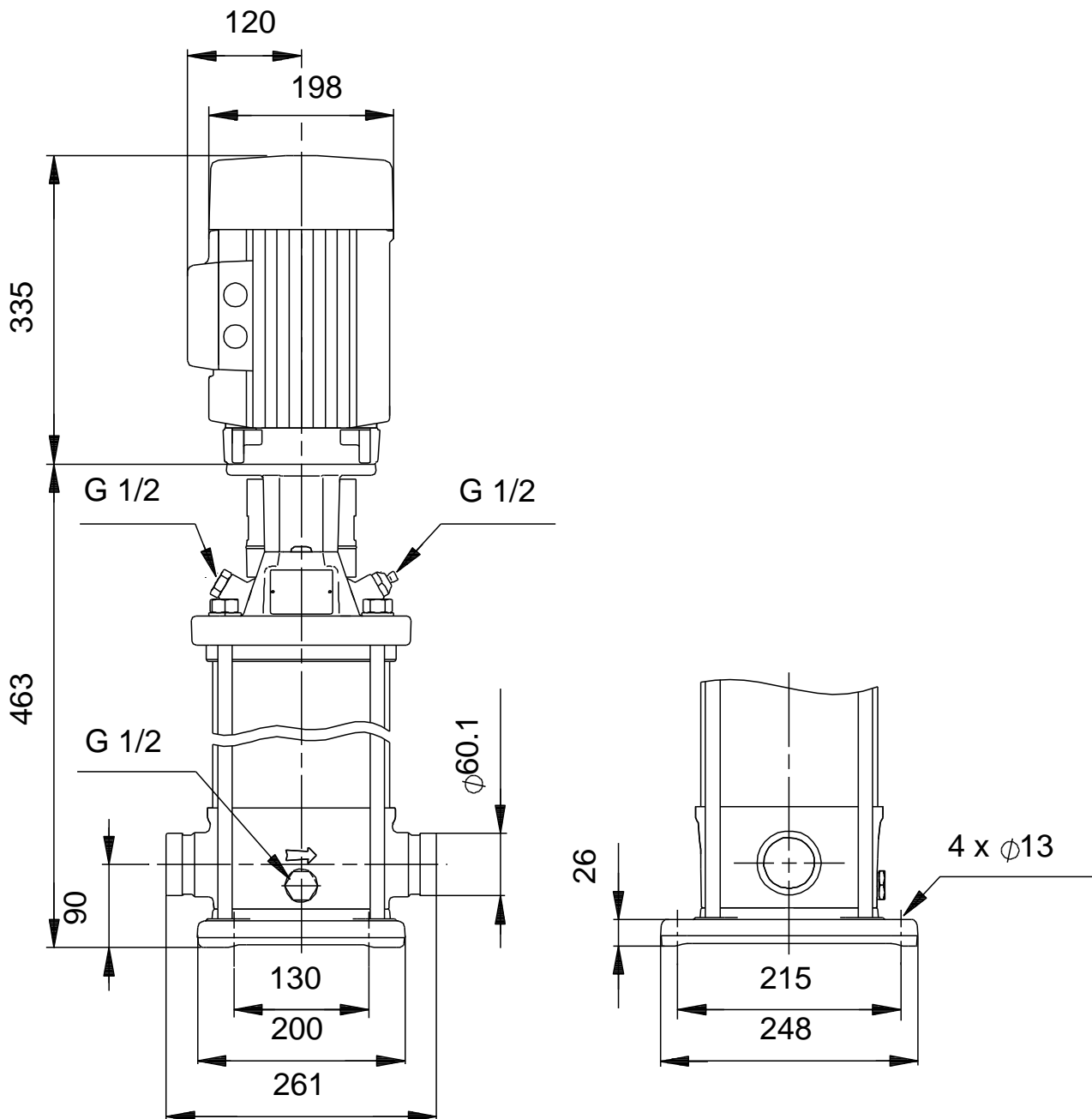
Created by:

Phone:

Date: 19/01/2021

Description	Value
Enclosure class (IEC 34-5):	55 Dust/Jetting
Insulation class (IEC 85):	F
Motor protec:	PTC
Motor No:	85U05510
Others:	
Minimum efficiency index, MEI %:	0.69
Net weight:	42 kg
Gross weight:	52 kg

96108345 CRT 16-3 A-P-A-E-AUUE 50 Hz



Note! All units are in [mm] unless others are stated.
Disclaimer: This simplified dimensional drawing does not show all details.

96108345 CRT 16-3 A-P-A-E-AUUE 50 Hz



IEC TP211 THERMALLY PROTECTED WHEN THE THERMISTORS ARE
CONNECTED TO AMPLIFIER RELAY FOR CONTROL OF MAIN SUPPLY
THERMISTORS PTC ACCORDING TO DIN 44082

Note! All units are in [mm] unless others are stated.