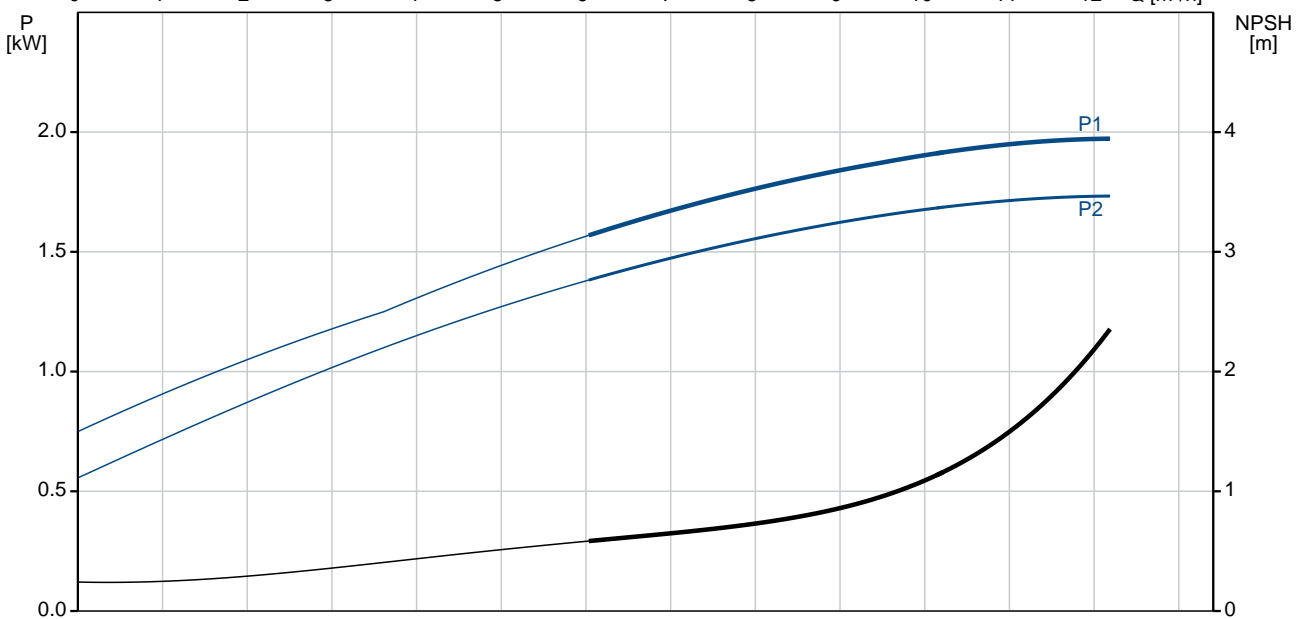
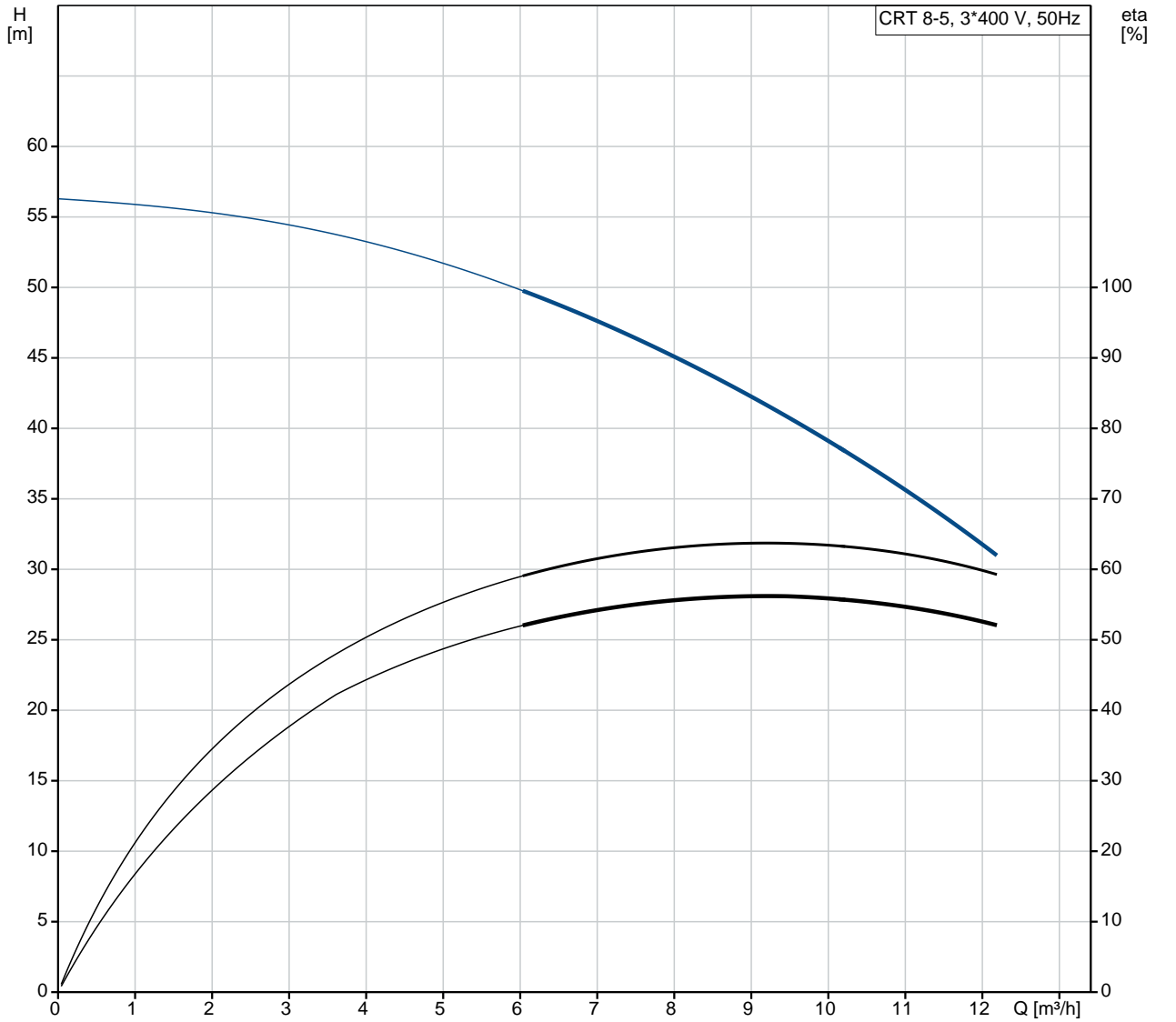


Qty.	Description
1	<p data-bbox="199 338 478 367">CRT 8-5 A-P-A-E-AUUE</p>  <p data-bbox="199 660 470 689">Product No.: 96108243</p> <p data-bbox="199 689 726 779">Vertical, non-self-priming, multistage, in-line, centrifugal pump for installation in pipe systems and mounting on a foundation.</p> <p data-bbox="199 806 678 835">The pump has the following characteristics:</p> <ul data-bbox="239 835 758 864" style="list-style-type: none"> - Impellers, intermediate chambers and outer <p data-bbox="199 864 885 896">Impeller: sleeve are made of Titanium.</p> <p data-bbox="199 896 1133 925">Pump housing: - Pump head cover and base are made of Titanium.</p> <ul data-bbox="239 925 670 954" style="list-style-type: none"> - The shaft seal has assembly length <p data-bbox="199 954 462 983">according to EN 12756.</p> <ul data-bbox="239 983 710 1043" style="list-style-type: none"> - Power transmission is via cast iron split coupling. <p data-bbox="199 1043 925 1104">Flange standard: - Pipework connection is via PJE flanges/couplings.</p> <p data-bbox="199 1131 941 1160">Phase: The motor is a 3-phase AC motor.</p> <p data-bbox="199 1193 279 1223">Liquid:</p> <p data-bbox="199 1223 630 1252">Pumped liquid: Water</p> <p data-bbox="199 1252 710 1281">Liquid temperature range: -20 .. 120 °C</p> <p data-bbox="199 1281 630 1310">Selected liquid temperature: 20 °C</p> <p data-bbox="199 1310 702 1339">Density: 998.2 kg/m³</p> <p data-bbox="199 1373 319 1402">Technical:</p> <p data-bbox="199 1402 821 1431">Pump speed on which pump data are based: 2900 rpm</p> <p data-bbox="199 1431 662 1460">Rated flow: 9.5 m³/h</p> <p data-bbox="199 1460 646 1489">Rated head: 40.6 m</p> <p data-bbox="199 1489 630 1518">Primary shaft seal: AUUE</p> <p data-bbox="199 1518 646 1547">Approvals on nameplate: CE,TR</p> <p data-bbox="199 1547 766 1576">Curve tolerance: ISO9906:2012 3B</p> <p data-bbox="199 1610 311 1639">Materials:</p> <p data-bbox="199 1639 710 1700">Pump housing: Titanium ASTM B 265</p> <p data-bbox="199 1700 710 1760">Impeller: Titanium ASTM B 265</p> <p data-bbox="199 1760 638 1792">Bush material: NONE</p> <p data-bbox="199 1816 327 1845">Installation:</p> <p data-bbox="199 1845 630 1874">Maximum ambient temperature: 60 °C</p> <p data-bbox="199 1874 734 1935">Max pressure at stated temp: 25 bar / 120 °C 25 bar / -20 °C</p> <p data-bbox="199 1935 614 1964">Flange standard: PJE</p> <p data-bbox="199 1964 662 1993">Pipe connection: 60,3 mm</p> <p data-bbox="199 1993 638 2022">Flange size for motor: FT115</p> <p data-bbox="199 2056 367 2085">Electrical data:</p>

Qty.	Description
	<p>Motor type: 90LE</p> <p>IE Efficiency class: IE3</p> <p>Rated power - P2: 2.2 kW</p> <p>Power (P2) required by pump: 2.2 kW</p> <p>Mains frequency: 50 Hz</p> <p>Rated voltage: 3 x 220-240D/380-415Y V</p> <p>Rated current: 8.00/4.60 A</p> <p>Starting current: 840-920 %</p> <p>Cos phi - power factor: 0.86-0.80</p> <p>Rated speed: 2890-2910 rpm</p> <p>Efficiency: IE3 85,9%</p> <p>Motor efficiency at full load: 85.9-85.9 %</p> <p>Motor efficiency at 3/4 load: 88.2 %</p> <p>Motor efficiency at 1/2 load: 88.0 %</p> <p>Number of poles: 2</p> <p>Enclosure class (IEC 34-5): 55 Dust/Jetting</p> <p>Insulation class (IEC 85): F</p> <p>Motor No: 85U01908</p> <p>Others:</p> <p>Minimum efficiency index, MEI $\hat{\alpha}\%$: 0.7</p> <p>Net weight: 39 kg</p> <p>Gross weight: 49 kg</p>

96108243 CRT 8-5 A-P-A-E-AUUE 50 Hz





Company name:

Created by:

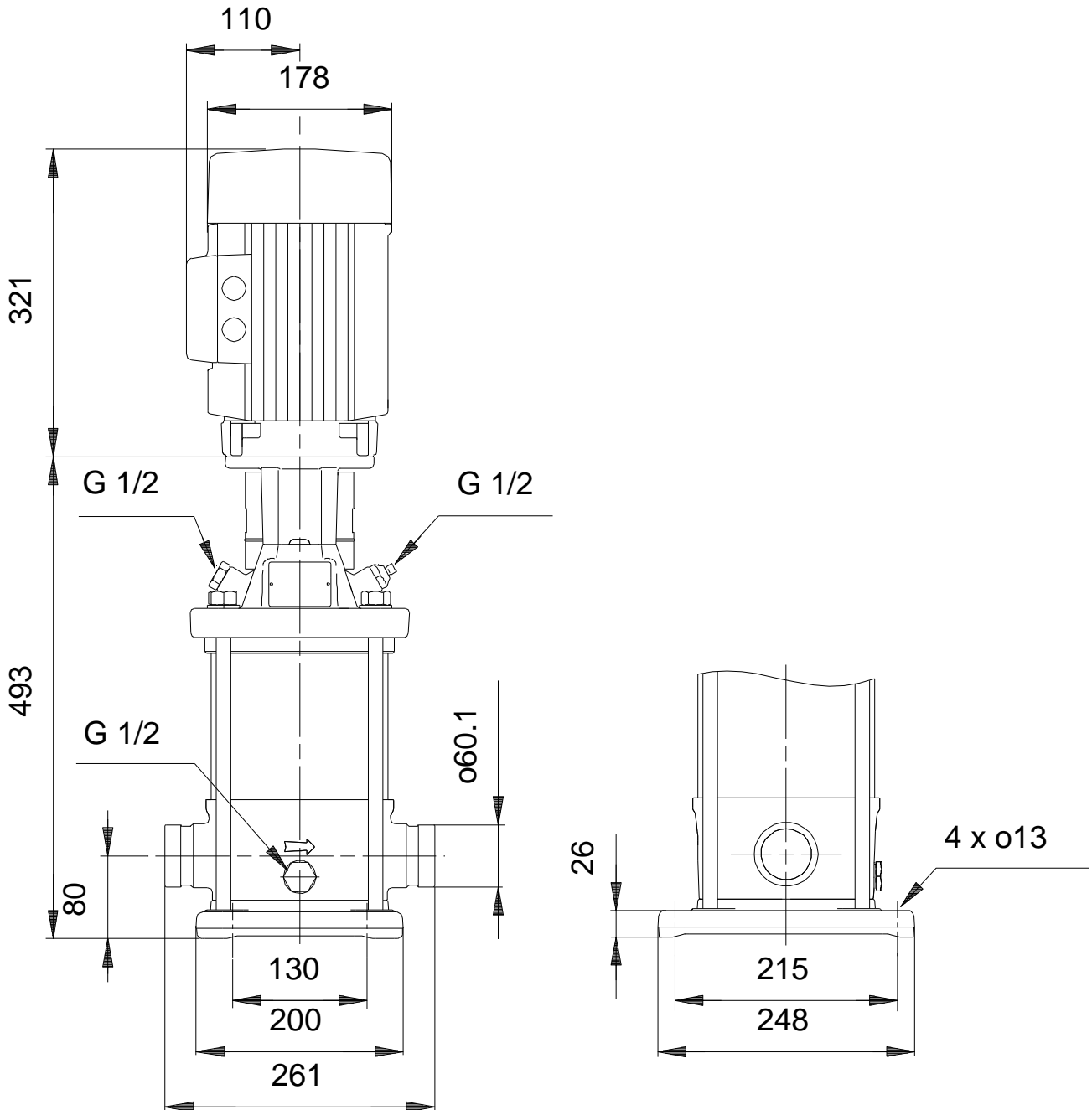
Phone:

Date:

19/01/2021

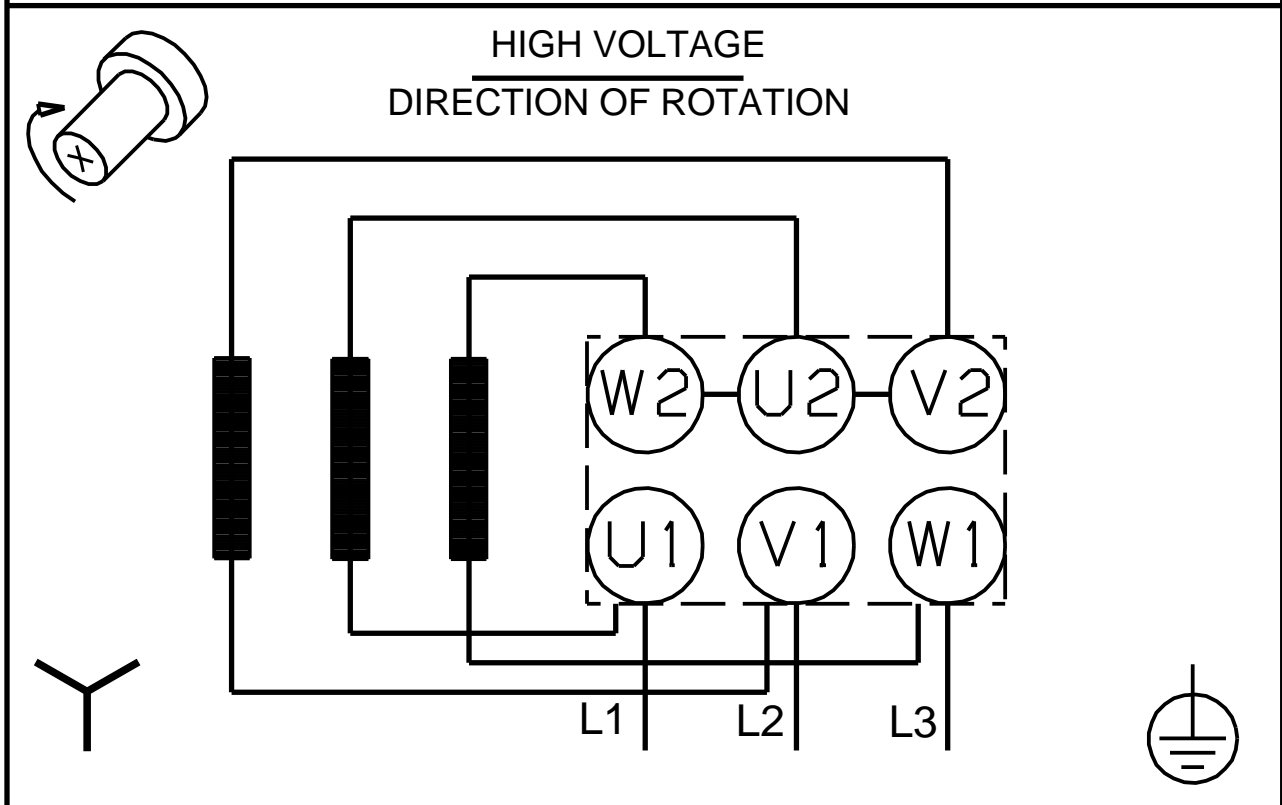
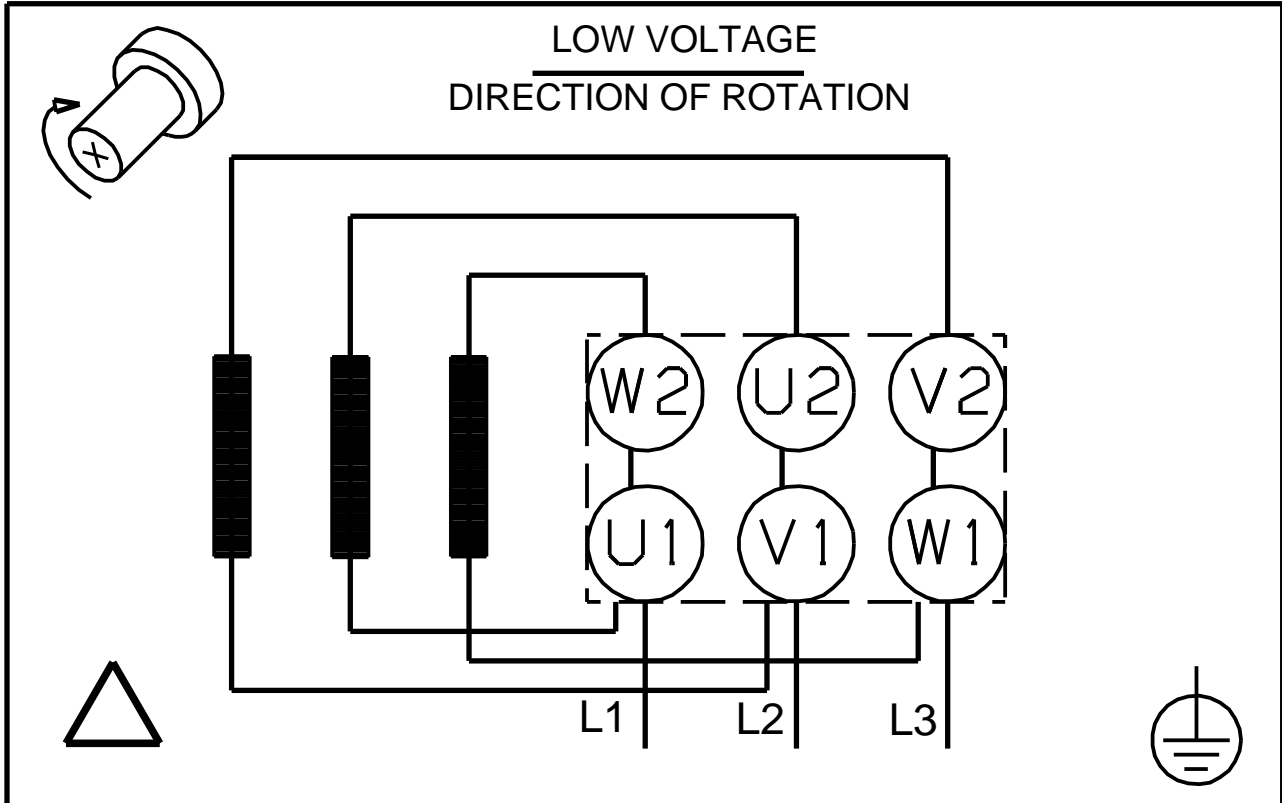
Description	Value
Enclosure class (IEC 34-5):	55 Dust/Jetting
Insulation class (IEC 85):	F
Motor protec:	NONE
Motor No:	85U01908
Others:	
Minimum efficiency index, MEI %:	0.7
Net weight:	39 kg
Gross weight:	49 kg

96108243 CRT 8-5 A-P-A-E-AUUE 50 Hz



Note! All units are in [mm] unless others are stated.
Disclaimer: This simplified dimensional drawing does not show all details.

96108243 CRT 8-5 A-P-A-E-AUUE 50 Hz



Note! All units are in [mm] unless others are stated.