

Qty. Description

1 CRT 8-1 A-P-A-E-AUUE



Product No.: [96108239](#)

Vertical, non-self-priming, multistage, in-line, centrifugal pump for installation in pipe systems and mounting on a foundation.

The pump has the following characteristics:

- Impellers, intermediate chambers and outer

Impeller: sleeve are made of Titanium.

Pump housing: - Pump head cover and base are made of Titanium.

- The shaft seal has assembly length

according to EN 12756.

- Power transmission is via cast iron split coupling.

Flange standard: - Pipework connection is via PJE flanges/couplings.

Phase: The motor is a 3-phase AC motor.

Liquid:

Pumped liquid: Water

Liquid temperature range: -20 .. 120 °C

Selected liquid temperature: 20 °C

Density: 998.2 kg/m³

Technical:

Pump speed on which pump data are based: 2900 rpm

Rated flow: 9.5 m³/h

Rated head: 8 m

Primary shaft seal: AUUE

Approvals on nameplate: CE,TR

Curve tolerance: ISO9906:2012 3B

Materials:

Pump housing: Titanium
ASTM B 265

Impeller: Titanium
ASTM B 265

Bush material: NONE

Installation:

Maximum ambient temperature: 40 °C

Max pressure at stated temp: 25 bar / 120 °C
25 bar / -20 °C

Flange standard: PJE

Pipe connection: 60,3 mm

Flange size for motor: FT85

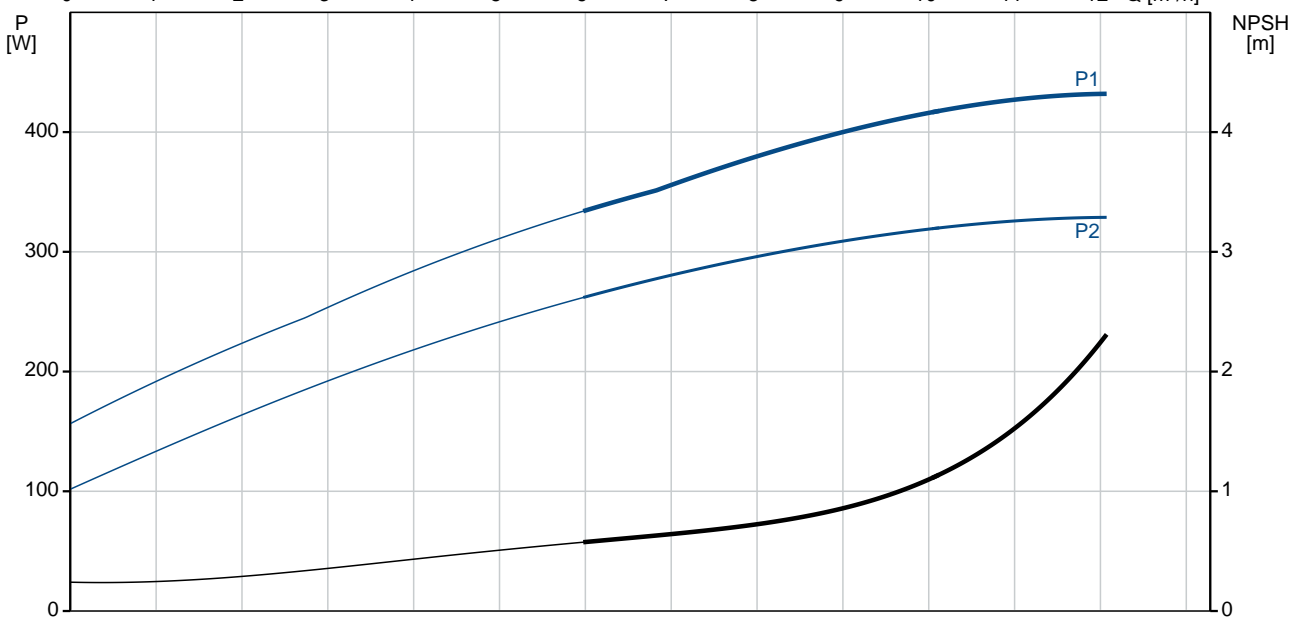
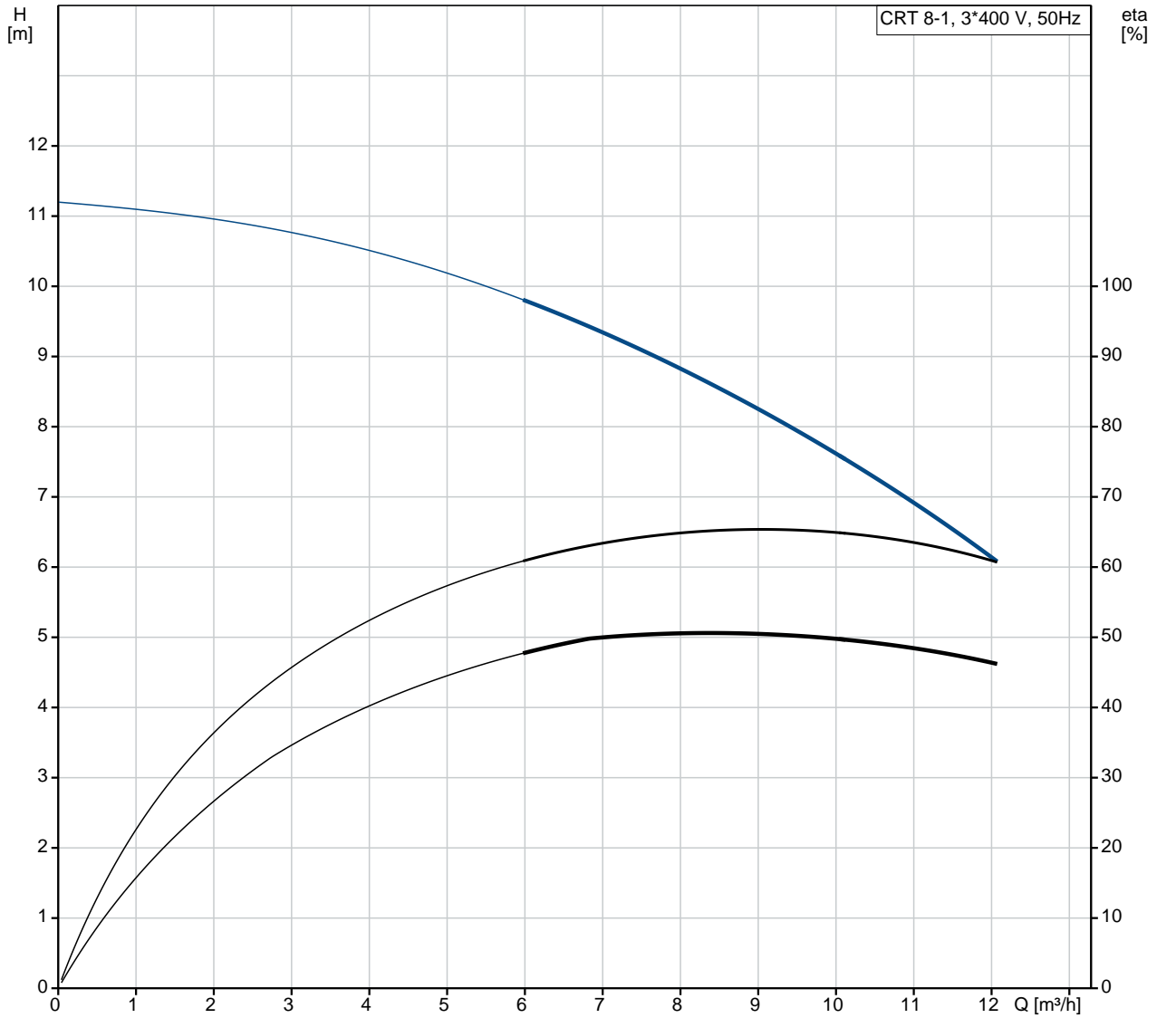
Electrical data:

Qty. Description

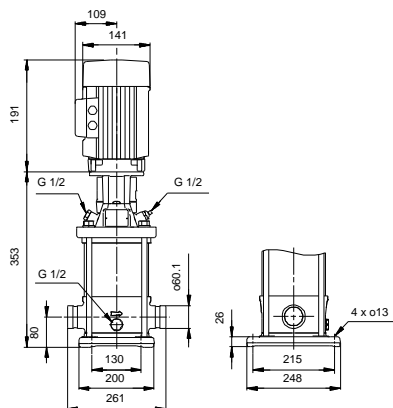
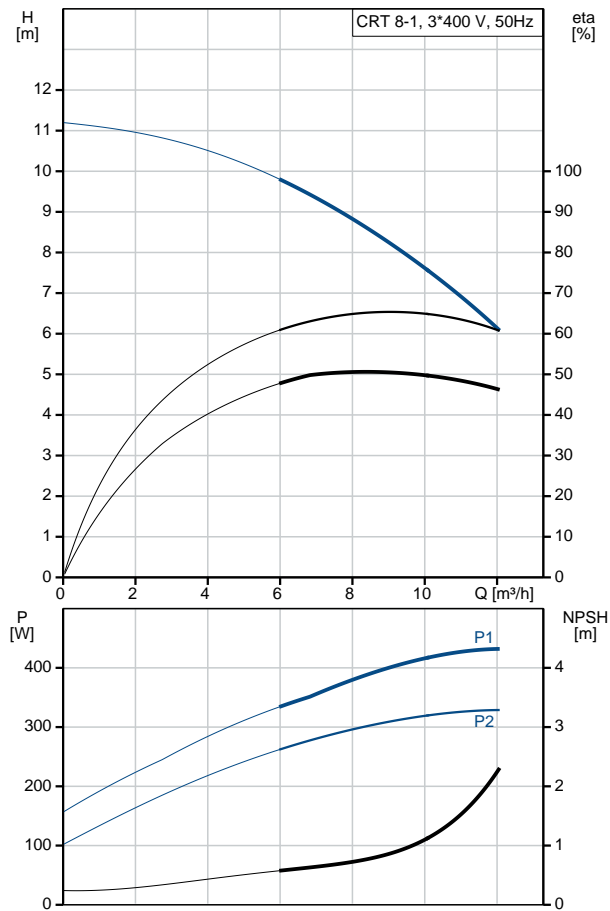
Motor type: 71A
IE Efficiency class: IE3
Rated power - P2: 0.37 kW
Power (P2) required by pump: 0.37 kW
0.37 kW
Mains frequency: 50 Hz
Rated voltage: 3 x 220-240D/380-415Y V
Rated current: 1.74/1.00 A
Starting current: 490-530 %
Cos phi - power factor: 0.80-0.70
Rated speed: 2850-2880 rpm
Efficiency: IE3 73,8%
Motor efficiency at full load: 73.8 %
Motor efficiency at 3/4 load: 79.0 %
Motor efficiency at 1/2 load: 75.5 %
Number of poles: 2
Enclosure class (IEC 34-5): 55 Dust/Jetting
Insulation class (IEC 85): F
Motor No: 85805102

Others:
Minimum efficiency index, MEI $\hat{\alpha}\%$: 0.7
Net weight: 23 kg
Gross weight: 33 kg

96108239 CRT 8-1 A-P-A-E-AUUE 50 Hz



Description	Value
General information:	
Product name:	CRT 8-1 A-P-A-E-AUUE
Product No:	96108239
EAN number:	5700396401133
Price:	
Technical:	
Pump speed on which pump data are based:	2900 rpm
Rated flow:	9.5 m ³ /h
Rated head:	8 m
Maximum head:	10.8 m
Head max:	10.8 m
Stages:	2
Impellers:	1
Primary shaft seal:	AUUE
Approvals on nameplate:	CE,TR
Curve tolerance:	ISO9906:2012 3B
Pump version:	A
Model:	A
Materials:	
Pump housing:	Titanium
Pump housing:	ASTM B 265
Impeller:	Titanium
Impeller:	ASTM B 265
Material code:	A
Code for rubber:	E
Bush material:	NONE
Installation:	
Maximum ambient temperature:	40 °C
Max pressure at stated temp:	25 bar / 120 °C
Max pressure at stated temp:	25 bar / -20 °C
Flange standard:	PJE
Pipe connection:	60,3 mm
Flange size for motor:	FT85
Connect code:	P
Liquid:	
Pumped liquid:	Water
Liquid temperature range:	-20 .. 120 °C
Selected liquid temperature:	20 °C
Density:	998.2 kg/m ³
Electrical data:	
Motor type:	71A
IE Efficiency class:	IE3
Rated power - P2:	0.37 kW
Power (P2) required by pump:	0.37 kW
Power (P2) required by pump:	0.37 kW
Mains frequency:	50 Hz
Rated voltage:	3 x 220-240D/380-415Y V
Rated current:	1.74/1.00 A
Starting current:	490-530 %
Cos phi - power factor:	0.80-0.70
Rated speed:	2850-2880 rpm
Efficiency:	IE3 73,8%
Motor efficiency at full load:	73.8 %
Motor efficiency at 3/4 load:	79.0 %
Motor efficiency at 1/2 load:	75.5 %
Number of poles:	2





Company name:

Created by:

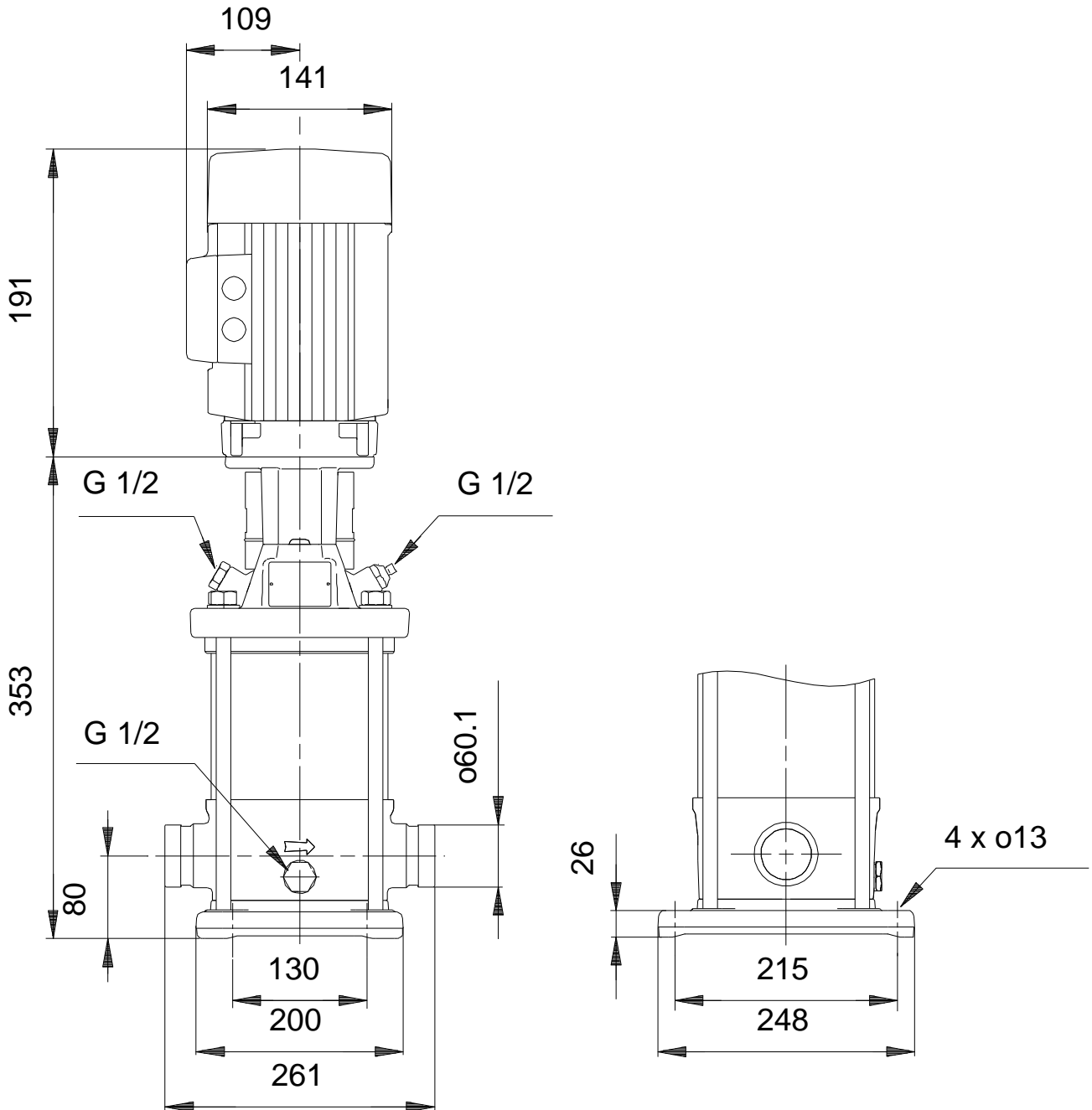
Phone:

Date:

19/01/2021

Description	Value
Enclosure class (IEC 34-5):	55 Dust/Jetting
Insulation class (IEC 85):	F
Motor protec:	NONE
Motor No:	85805102
Others:	
Minimum efficiency index, MEI %:	0.7
Net weight:	23 kg
Gross weight:	33 kg

96108239 CRT 8-1 A-P-A-E-AUUE 50 Hz



Note! All units are in [mm] unless others are stated.
Disclaimer: This simplified dimensional drawing does not show all details.

96108239 CRT 8-1 A-P-A-E-AUUE 50 Hz



98.3169

Note! All units are in [mm] unless others are stated.