
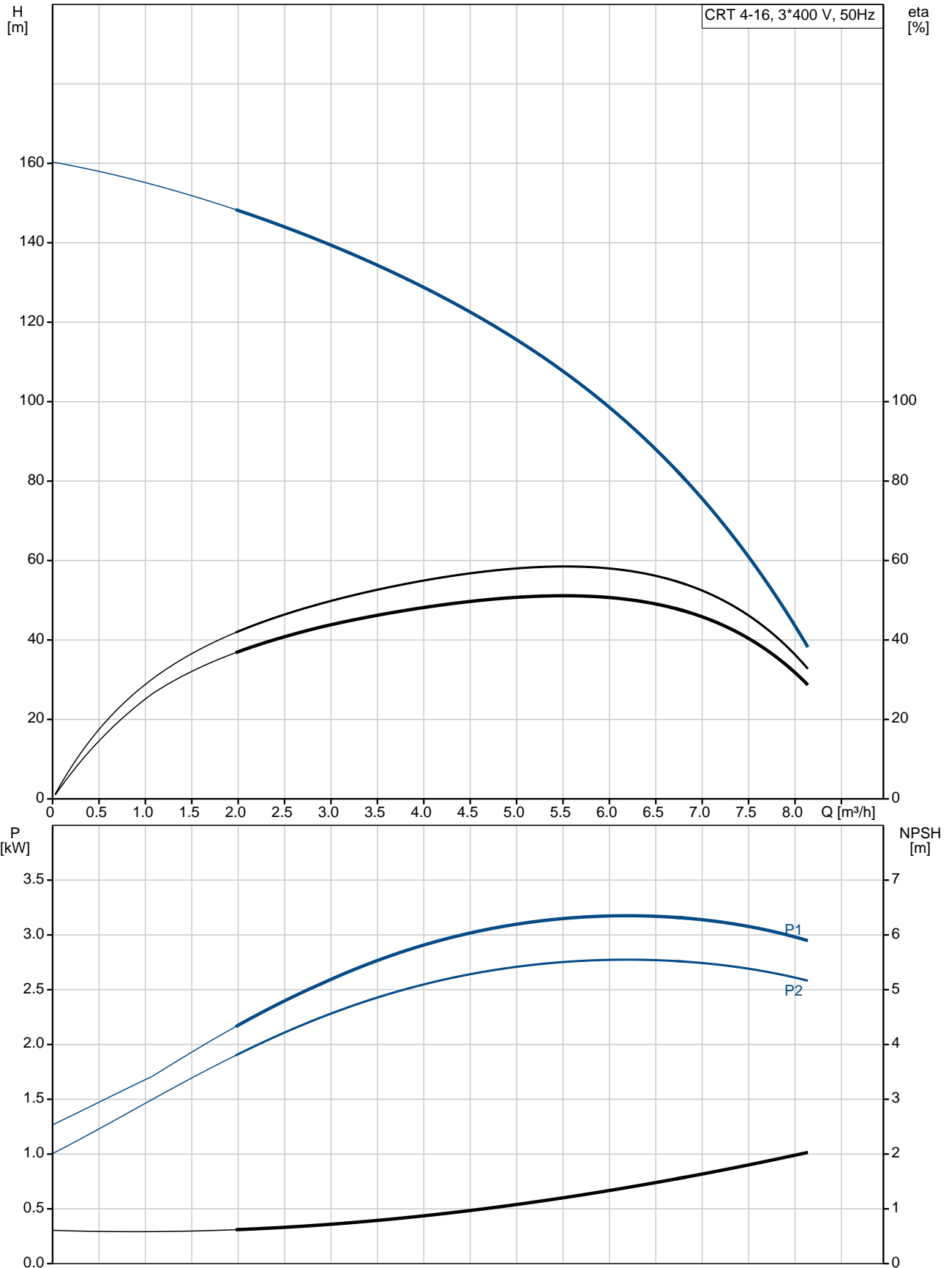


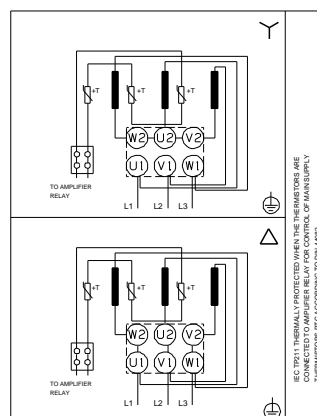
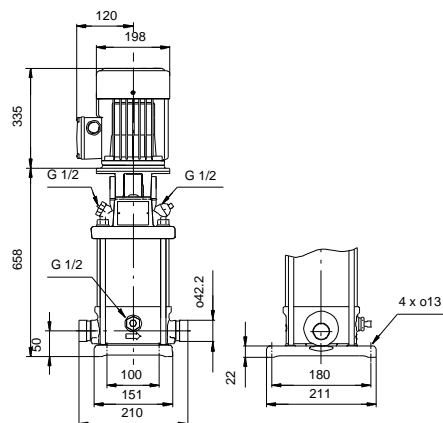
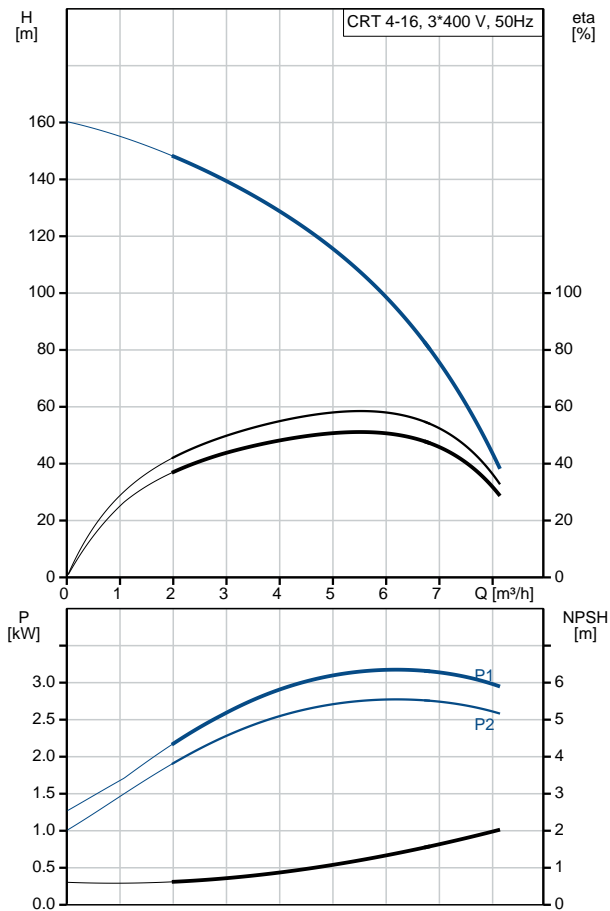
Qty.	Description
1	<p data-bbox="199 340 486 362">CRT 4-16 A-P-A-E-AUUE</p>  <p data-bbox="199 660 470 683">Product No.: 96100805</p> <p data-bbox="199 689 726 772">Vertical, non-self-priming, multistage, in-line, centrifugal pump for installation in pipe systems and mounting on a foundation.</p> <p data-bbox="199 806 678 828">The pump has the following characteristics:</p> <ul data-bbox="239 840 758 862" style="list-style-type: none"> - Impellers, intermediate chambers and outer <p data-bbox="199 869 885 891">Impeller: sleeve are made of Titanium.</p> <p data-bbox="199 898 1133 920">Pump housing: - Pump head cover and base are made of Titanium.</p> <ul data-bbox="239 929 670 952" style="list-style-type: none"> - The shaft seal has assembly length <p data-bbox="199 958 462 981">according to EN 12756.</p> <ul data-bbox="239 990 710 1012" style="list-style-type: none"> - Power transmission is via cast iron split <p data-bbox="199 1019 303 1041">coupling.</p> <p data-bbox="199 1048 925 1070">Flange standard: - Pipework connection is via PJE</p> <p data-bbox="199 1077 399 1099">flanges/couplings.</p> <p data-bbox="199 1137 941 1160">Phase: The motor is a 3-phase AC motor.</p> <p data-bbox="199 1198 279 1220">Liquid:</p> <p data-bbox="199 1227 630 1249">Pumped liquid: Water</p> <p data-bbox="199 1256 710 1279">Liquid temperature range: -20 .. 120 °C</p> <p data-bbox="199 1285 630 1308">Selected liquid temperature: 20 °C</p> <p data-bbox="199 1314 694 1337">Density: 998.2 kg/m³</p> <p data-bbox="199 1375 319 1397">Technical:</p> <p data-bbox="199 1404 821 1426">Pump speed on which pump data are based: 2900 rpm</p> <p data-bbox="199 1433 638 1456">Rated flow: 6 m³/h</p> <p data-bbox="199 1462 654 1485">Rated head: 101.5 m</p> <p data-bbox="199 1491 630 1514">Primary shaft seal: AUUE</p> <p data-bbox="199 1520 638 1543">Approvals on nameplate: CE,TR</p> <p data-bbox="199 1550 758 1572">Curve tolerance: ISO9906:2012 3B</p> <p data-bbox="199 1612 311 1635">Materials:</p> <p data-bbox="199 1641 710 1664">Pump housing: Titanium</p> <p data-bbox="566 1671 710 1693">ASTM B 265</p> <p data-bbox="199 1700 710 1722">Impeller: Titanium</p> <p data-bbox="566 1729 710 1751">ASTM B 265</p> <p data-bbox="199 1758 638 1780">Bush material: NONE</p> <p data-bbox="199 1818 327 1841">Installation:</p> <p data-bbox="199 1848 630 1870">Maximum ambient temperature: 60 °C</p> <p data-bbox="199 1877 734 1899">Max pressure at stated temp: 25 bar / 120 °C</p> <p data-bbox="566 1906 726 1928">25 bar / -20 °C</p> <p data-bbox="199 1935 614 1957">Flange standard: PJE</p> <p data-bbox="199 1964 662 1986">Pipe connection: 42,4 mm</p> <p data-bbox="199 1993 638 2016">Flange size for motor: FT130</p> <p data-bbox="199 2054 367 2076">Electrical data:</p>

Qty.	Description
	<p>Motor type: 100LC</p> <p>IE Efficiency class: IE3</p> <p>Rated power - P2: 3 kW</p> <p>Power (P2) required by pump: 3 kW</p> <p>3 kW</p> <p>Mains frequency: 50 Hz</p> <p>Rated voltage: 3 x 220-240D/380-415Y V</p> <p>Rated current: 11.0/6.30 A</p> <p>Starting current: 840-920 %</p> <p>Cos phi - power factor: 0.87-0.82</p> <p>Rated speed: 2900-2920 rpm</p> <p>Efficiency: IE3 87,1%</p> <p>Motor efficiency at full load: 87.1 %</p> <p>Motor efficiency at 3/4 load: 88.0 %</p> <p>Motor efficiency at 1/2 load: 87.7 %</p> <p>Number of poles: 2</p> <p>Enclosure class (IEC 34-5): 55 Dust/Jetting</p> <p>Insulation class (IEC 85): F</p> <p>Motor No: 85U05510</p> <p>Others:</p> <p>Minimum efficiency index, MEI $\hat{\alpha}\%$: 0.7</p> <p>Net weight: 38.1 kg</p> <p>Gross weight: 43.1 kg</p>

96100805 CRT 4-16 A-P-A-E-AUUE 50 Hz



Description	Value
General information:	
Product name:	CRT 4-16 A-P-A-E-AUUE
Product No:	96100805
EAN number:	5700395849301
Price:	
Technical:	
Pump speed on which pump data are based:	2900 rpm
Rated flow:	6 m³/h
Rated head:	101.5 m
Maximum head:	162 m
Head max:	162 m
Stages:	16
Impellers:	16
Primary shaft seal:	AUUE
Approvals on nameplate:	CE,TR
Curve tolerance:	ISO9906:2012 3B
Pump version:	A
Model:	A
Materials:	
Pump housing:	Titanium
Pump housing:	ASTM B 265
Impeller:	Titanium
Impeller:	ASTM B 265
Material code:	A
Code for rubber:	E
Bush material:	NONE
Installation:	
Maximum ambient temperature:	60 °C
Max pressure at stated temp:	25 bar / 120 °C
Max pressure at stated temp:	25 bar / -20 °C
Flange standard:	PJE
Pipe connection:	42,4 mm
Flange size for motor:	FT130
Connect code:	P
Liquid:	
Pumped liquid:	Water
Liquid temperature range:	-20 .. 120 °C
Selected liquid temperature:	20 °C
Density:	998.2 kg/m³
Electrical data:	
Motor type:	100LC
IE Efficiency class:	IE3
Rated power - P2:	3 kW
Power (P2) required by pump:	3 kW
Power (P2) required by pump:	3 kW
Mains frequency:	50 Hz
Rated voltage:	3 x 220-240D/380-415Y V
Rated current:	11.0/6.30 A
Starting current:	840-920 %
Cos phi - power factor:	0.87-0.82
Rated speed:	2900-2920 rpm
Efficiency:	IE3 87,1%
Motor efficiency at full load:	87.1 %
Motor efficiency at 3/4 load:	88.0 %
Motor efficiency at 1/2 load:	87.7 %
Number of poles:	2





Company name:

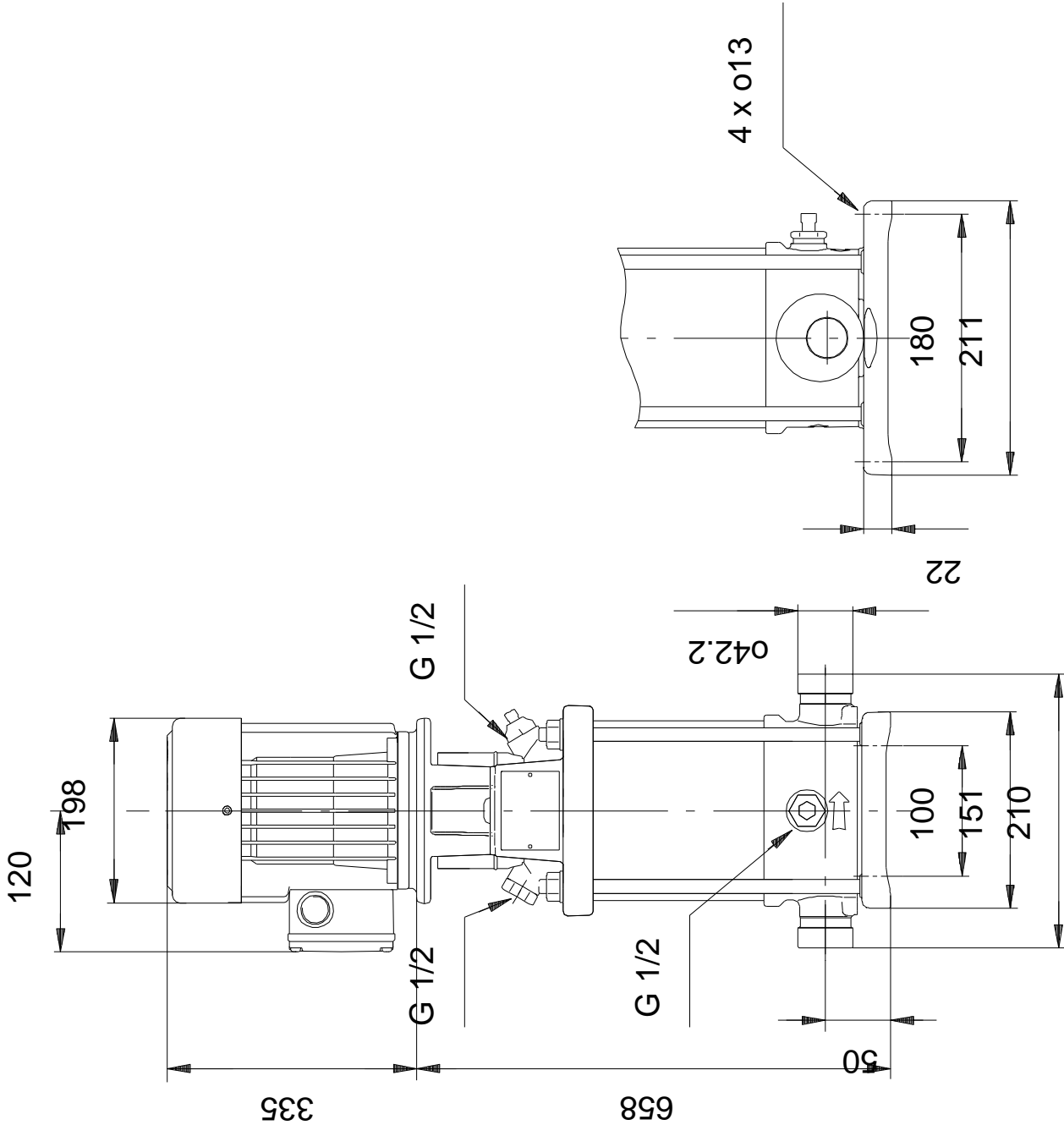
Created by:

Phone:

Date: 19/01/2021

Description	Value
Enclosure class (IEC 34-5):	55 Dust/Jetting
Insulation class (IEC 85):	F
Motor protec:	PTC
Motor No:	85U05510
Others:	
Minimum efficiency index, MEI %:	0.7
Net weight:	38.1 kg
Gross weight:	43.1 kg

96100805 CRT 4-16 A-P-A-E-AUUE 50 Hz



Note! All units are in [mm] unless others are stated.
Disclaimer: This simplified dimensional drawing does not show all details.

96100805 CRT 4-16 A-P-A-E-AUUE 50 Hz



IEC TP211 THERMALLY PROTECTED WHEN THE THERMISTORS ARE
CONNECTED TO AMPLIFIER RELAY FOR CONTROL OF MAIN SUPPLY
THERMISTORS PTC ACCORDING TO DIN 44082

Note! All units are in [mm] unless others are stated.