
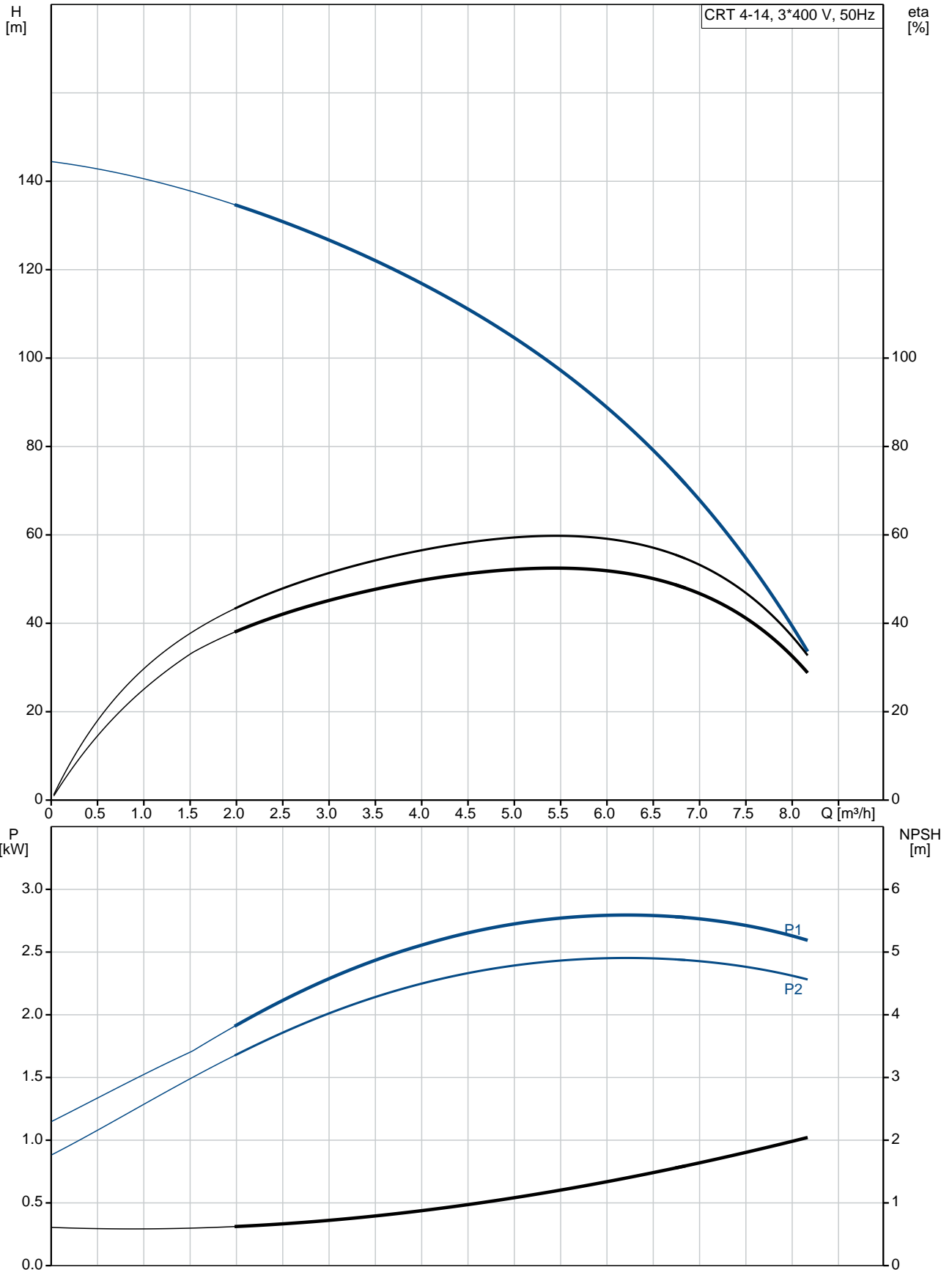


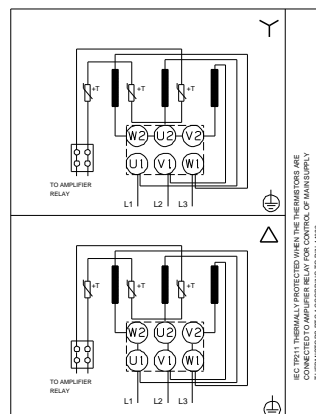
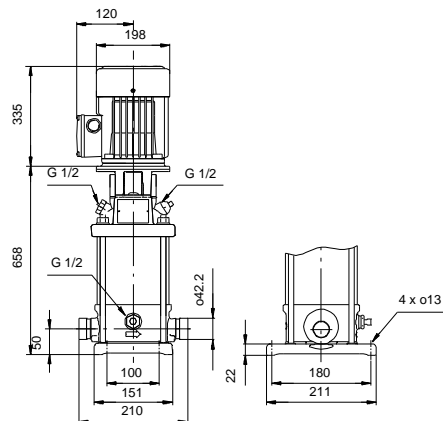
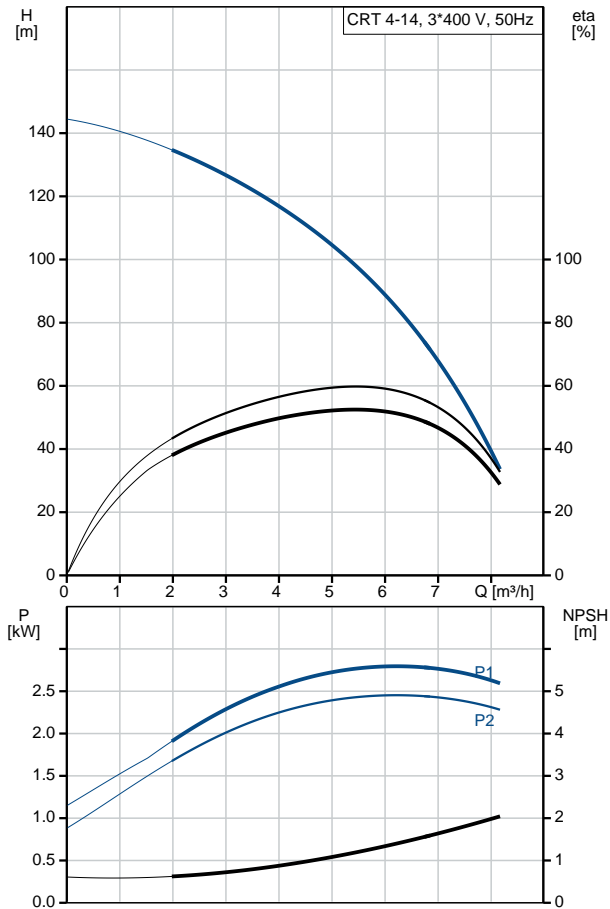
Qty.	Description
1	<p data-bbox="199 338 491 367">CRT 4-14 A-P-A-E-AUUE</p>  <p data-bbox="199 663 469 689">Product No.: 96100804</p> <p data-bbox="199 692 724 779">Vertical, non-self-priming, multistage, in-line, centrifugal pump for installation in pipe systems and mounting on a foundation.</p> <p data-bbox="199 808 679 837">The pump has the following characteristics:</p> <ul data-bbox="236 840 759 869" style="list-style-type: none"> - Impellers, intermediate chambers and outer <p data-bbox="199 871 884 900">Impeller: sleeve are made of Titanium.</p> <p data-bbox="199 902 1131 931">Pump housing: - Pump head cover and base are made of Titanium.</p> <ul data-bbox="236 934 668 963" style="list-style-type: none"> - The shaft seal has assembly length <p data-bbox="199 965 464 994">according to EN 12756.</p> <ul data-bbox="236 996 711 1048" style="list-style-type: none"> - Power transmission is via cast iron split coupling. <p data-bbox="199 1050 927 1106">Flange standard: - Pipework connection is via PJE flanges/couplings.</p> <p data-bbox="199 1135 940 1164">Phase: The motor is a 3-phase AC motor.</p> <p data-bbox="199 1193 277 1223">Liquid:</p> <p data-bbox="199 1225 635 1254">Pumped liquid: Water</p> <p data-bbox="199 1256 707 1285">Liquid temperature range: -20 .. 120 °C</p> <p data-bbox="199 1288 632 1317">Selected liquid temperature: 20 °C</p> <p data-bbox="199 1319 699 1348">Density: 998.2 kg/m³</p> <p data-bbox="199 1377 319 1406">Technical:</p> <p data-bbox="199 1408 820 1438">Pump speed on which pump data are based: 2900 rpm</p> <p data-bbox="199 1440 636 1469">Rated flow: 6 m³/h</p> <p data-bbox="199 1471 643 1500">Rated head: 90.5 m</p> <p data-bbox="199 1503 636 1532">Primary shaft seal: AUUE</p> <p data-bbox="199 1534 639 1563">Approvals on nameplate: CE,TR</p> <p data-bbox="199 1565 764 1594">Curve tolerance: ISO9906:2012 3B</p> <p data-bbox="199 1624 312 1653">Materials:</p> <p data-bbox="199 1655 708 1711">Pump housing: Titanium ASTM B 265</p> <p data-bbox="199 1713 708 1769">Impeller: Titanium ASTM B 265</p> <p data-bbox="199 1771 639 1800">Bush material: NONE</p> <p data-bbox="199 1830 330 1859">Installation:</p> <p data-bbox="199 1861 632 1890">Maximum ambient temperature: 60 °C</p> <p data-bbox="199 1892 734 1926">Max pressure at stated temp: 25 bar / 120 °C</p> <p data-bbox="564 1928 730 1957">25 bar / -20 °C</p> <p data-bbox="199 1960 614 1989">Flange standard: PJE</p> <p data-bbox="199 1991 663 2020">Pipe connection: 42,4 mm</p> <p data-bbox="199 2022 639 2051">Flange size for motor: FT130</p> <p data-bbox="199 2080 368 2110">Electrical data:</p>

Qty.	Description
	Motor type: 100LC
	IE Efficiency class: IE3
	Rated power - P2: 3 kW
	Power (P2) required by pump: 3 kW
	3 kW
	Mains frequency: 50 Hz
	Rated voltage: 3 x 220-240D/380-415Y V
	Rated current: 11.0/6.30 A
	Starting current: 840-920 %
	Cos phi - power factor: 0.87-0.82
	Rated speed: 2900-2920 rpm
	Efficiency: IE3 87,1%
	Motor efficiency at full load: 87.1 %
	Motor efficiency at 3/4 load: 88.0 %
	Motor efficiency at 1/2 load: 87.7 %
	Number of poles: 2
	Enclosure class (IEC 34-5): 55 Dust/Jetting
	Insulation class (IEC 85): F
	Motor No: 85U05510
	Others:
	Minimum efficiency index, MEI $\hat{\alpha}\%$: 0.7
	Net weight: 37.2 kg
	Gross weight: 42.2 kg

96100804 CRT 4-14 A-P-A-E-AUUE 50 Hz



Description	Value
General information:	
Product name:	CRT 4-14 A-P-A-E-AUUE
Product No:	96100804
EAN number:	5700395849295
Price:	
Technical:	
Pump speed on which pump data are based:	2900 rpm
Rated flow:	6 m ³ /h
Rated head:	90.5 m
Maximum head:	142 m
Head max:	142 m
Stages:	16
Impellers:	14
Primary shaft seal:	AUUE
Approvals on nameplate:	CE, TR
Curve tolerance:	ISO9906:2012 3B
Pump version:	A
Model:	A
Materials:	
Pump housing:	Titanium
Pump housing:	ASTM B 265
Impeller:	Titanium
Impeller:	ASTM B 265
Material code:	A
Code for rubber:	E
Bush material:	NONE
Installation:	
Maximum ambient temperature:	60 °C
Max pressure at stated temp:	25 bar / 120 °C
Max pressure at stated temp:	25 bar / -20 °C
Flange standard:	PJE
Pipe connection:	42,4 mm
Flange size for motor:	FT130
Connect code:	P
Liquid:	
Pumped liquid:	Water
Liquid temperature range:	-20 .. 120 °C
Selected liquid temperature:	20 °C
Density:	998.2 kg/m ³
Electrical data:	
Motor type:	100LC
IE Efficiency class:	IE3
Rated power - P2:	3 kW
Power (P2) required by pump:	3 kW
Power (P2) required by pump:	3 kW
Mains frequency:	50 Hz
Rated voltage:	3 x 220-240D/380-415Y V
Rated current:	11.0/6.30 A
Starting current:	840-920 %
Cos phi - power factor:	0.87-0.82
Rated speed:	2900-2920 rpm
Efficiency:	IE3 87,1%
Motor efficiency at full load:	87.1 %
Motor efficiency at 3/4 load:	88.0 %
Motor efficiency at 1/2 load:	87.7 %
Number of poles:	2





Company name:

Created by:

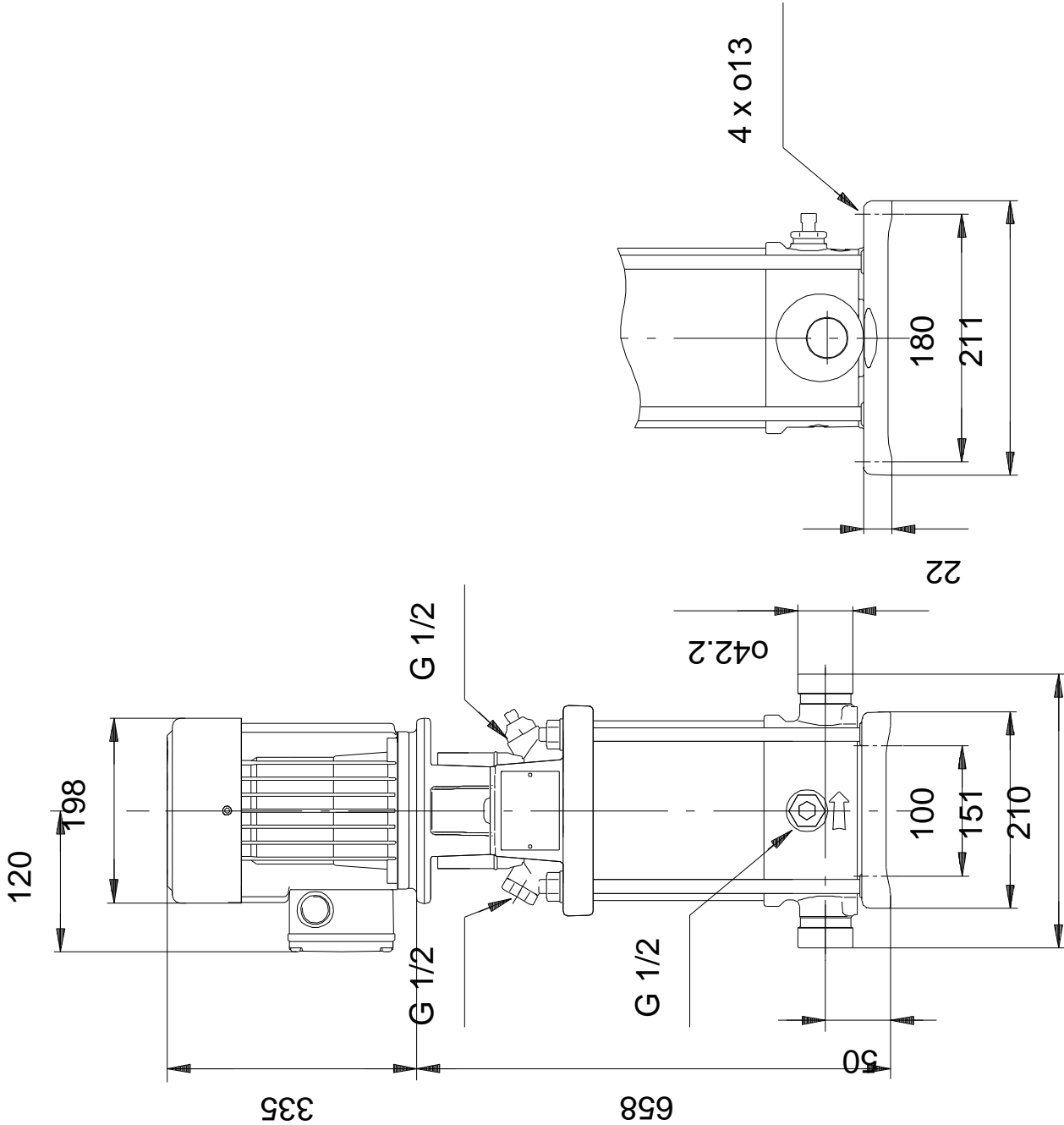
Phone:

Date:

19/01/2021

Description	Value
Enclosure class (IEC 34-5):	55 Dust/Jetting
Insulation class (IEC 85):	F
Motor protec:	PTC
Motor No:	85U05510
Others:	
Minimum efficiency index, MEI %:	0.7
Net weight:	37.2 kg
Gross weight:	42.2 kg

96100804 CRT 4-14 A-P-A-E-AUUE 50 Hz



Note! All units are in [mm] unless others are stated.
Disclaimer: This simplified dimensional drawing does not show all details.

96100804 CRT 4-14 A-P-A-E-AUUE 50 Hz



IEC TP211 THERMALLY PROTECTED WHEN THE THERMISTORS ARE
CONNECTED TO AMPLIFIER RELAY FOR CONTROL OF MAIN SUPPLY
THERMISTORS PTC ACCORDING TO DIN 44082

Note! All units are in [mm] unless others are stated.