

Qty. Description

1 CRT 4-12 A-P-A-E-AUUE



Product No.: [96100803](#)

Vertical, non-self-priming, multistage, in-line, centrifugal pump for installation in pipe systems and mounting on a foundation.

The pump has the following characteristics:

- Impellers, intermediate chambers and outer

Impeller: sleeve are made of Titanium.

Pump housing: - Pump head cover and base are made of Titanium.

- The shaft seal has assembly length

according to EN 12756.

- Power transmission is via cast iron split coupling.

Flange standard: - Pipework connection is via PJE flanges/couplings.

Phase: The motor is a 3-phase AC motor.

Liquid:

Pumped liquid: Water

Liquid temperature range: -20 .. 120 °C

Selected liquid temperature: 20 °C

Density: 998.2 kg/m³

Technical:

Pump speed on which pump data are based: 2900 rpm

Rated flow: 6 m³/h

Rated head: 75.1 m

Primary shaft seal: AUUE

Approvals on nameplate: CE,TR

Curve tolerance: ISO9906:2012 3B

Materials:

Pump housing: Titanium
ASTM B 265

Impeller: Titanium
ASTM B 265

Bush material: NONE

Installation:

Maximum ambient temperature: 60 °C

Max pressure at stated temp: 25 bar / 120 °C
25 bar / -20 °C

Flange standard: PJE

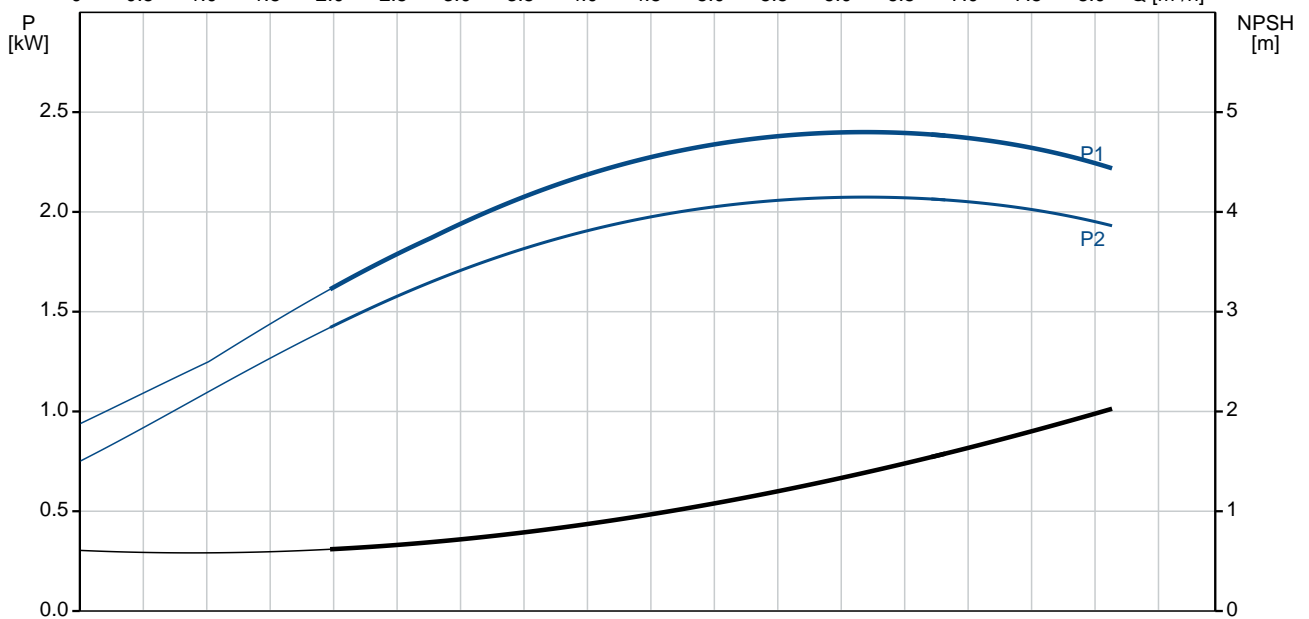
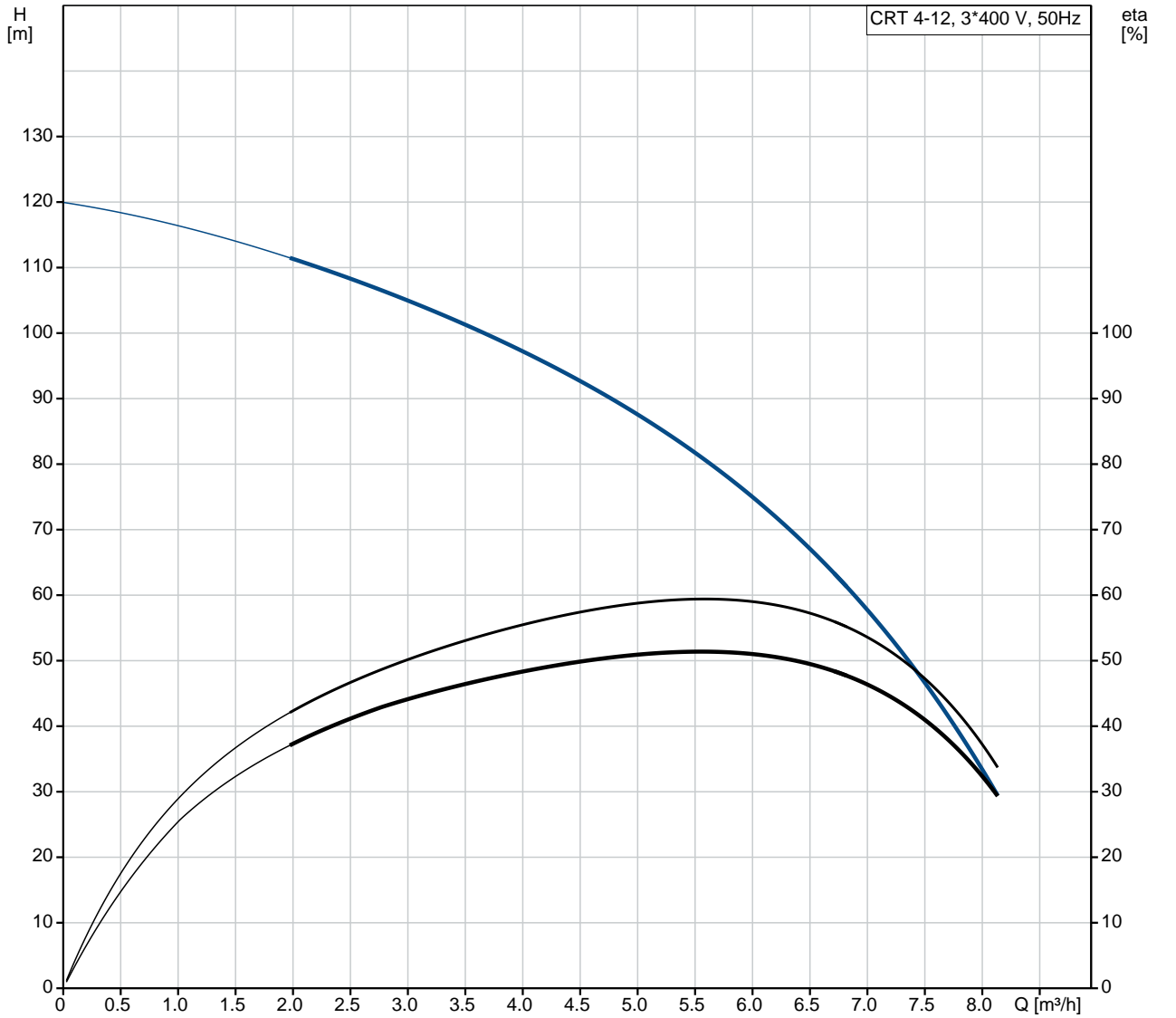
Pipe connection: 42,4 mm

Flange size for motor: FT115

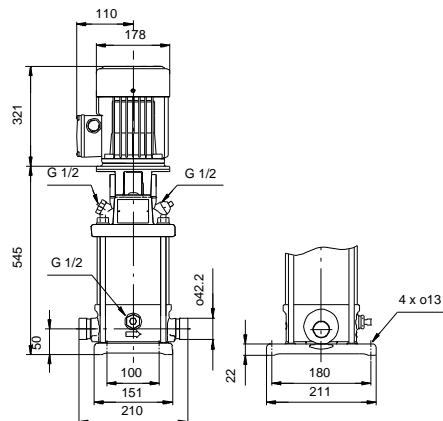
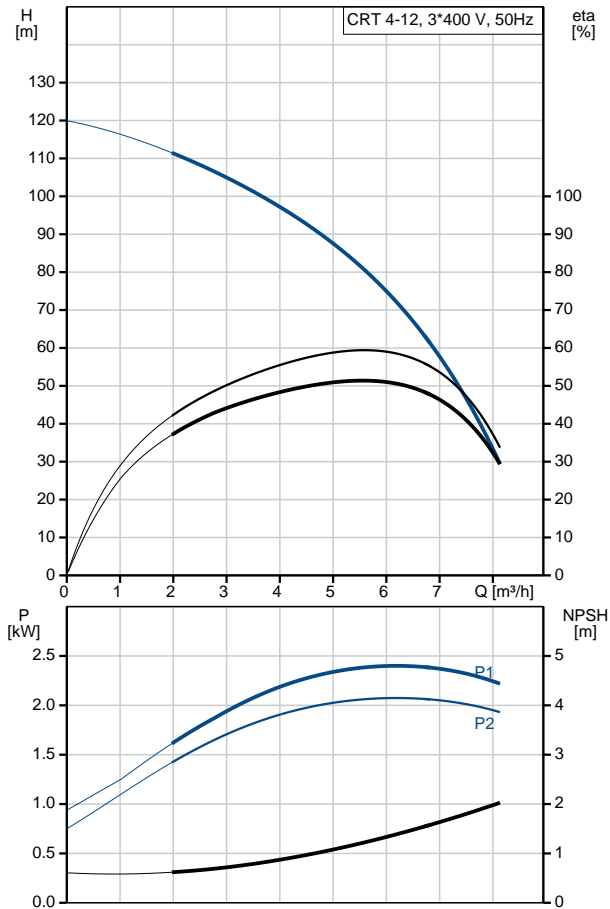
Electrical data:

Qty.	Description
	<p>Motor type: 90LE</p> <p>IE Efficiency class: IE3</p> <p>Rated power - P2: 2.2 kW</p> <p>Power (P2) required by pump: 2.2 kW</p> <p>Mains frequency: 50 Hz</p> <p>Rated voltage: 3 x 220-240D/380-415Y V</p> <p>Rated current: 8.00/4.60 A</p> <p>Starting current: 840-920 %</p> <p>Cos phi - power factor: 0.86-0.80</p> <p>Rated speed: 2890-2910 rpm</p> <p>Efficiency: IE3 85,9%</p> <p>Motor efficiency at full load: 85.9-85.9 %</p> <p>Motor efficiency at 3/4 load: 88.2 %</p> <p>Motor efficiency at 1/2 load: 88.0 %</p> <p>Number of poles: 2</p> <p>Enclosure class (IEC 34-5): 55 Dust/Jetting</p> <p>Insulation class (IEC 85): F</p> <p>Motor No: 85U01908</p> <p>Others:</p> <p>Minimum efficiency index, MEI $\hat{\alpha}\%$: 0.7</p> <p>Net weight: 36.6 kg</p> <p>Gross weight: 41.6 kg</p>

96100803 CRT 4-12 A-P-A-E-AUUE 50 Hz



Description	Value
General information:	
Product name:	CRT 4-12 A-P-A-E-AUUE
Product No:	96100803
EAN number:	5700395849288
Price:	
Technical:	
Pump speed on which pump data are based:	2900 rpm
Rated flow:	6 m ³ /h
Rated head:	75.1 m
Maximum head:	121 m
Head max:	121 m
Stages:	12
Impellers:	12
Primary shaft seal:	AUUE
Approvals on nameplate:	CE,TR
Curve tolerance:	ISO9906:2012 3B
Pump version:	A
Model:	A
Materials:	
Pump housing:	Titanium
Pump housing:	ASTM B 265
Impeller:	Titanium
Impeller:	ASTM B 265
Material code:	A
Code for rubber:	E
Bush material:	NONE
Installation:	
Maximum ambient temperature:	60 °C
Max pressure at stated temp:	25 bar / 120 °C
Max pressure at stated temp:	25 bar / -20 °C
Flange standard:	PJE
Pipe connection:	42,4 mm
Flange size for motor:	FT115
Connect code:	P
Liquid:	
Pumped liquid:	Water
Liquid temperature range:	-20 .. 120 °C
Selected liquid temperature:	20 °C
Density:	998.2 kg/m ³
Electrical data:	
Motor type:	90LE
IE Efficiency class:	IE3
Rated power - P2:	2.2 kW
Power (P2) required by pump:	2.2 kW
Power (P2) required by pump:	2.2 kW
Mains frequency:	50 Hz
Rated voltage:	3 x 220-240D/380-415Y V
Rated current:	8.00/4.60 A
Starting current:	840-920 %
Cos phi - power factor:	0.86-0.80
Rated speed:	2890-2910 rpm
Efficiency:	IE3 85,9%
Motor efficiency at full load:	85.9-85.9 %
Motor efficiency at 3/4 load:	88.2 %
Motor efficiency at 1/2 load:	88.0 %
Number of poles:	2





Company name:

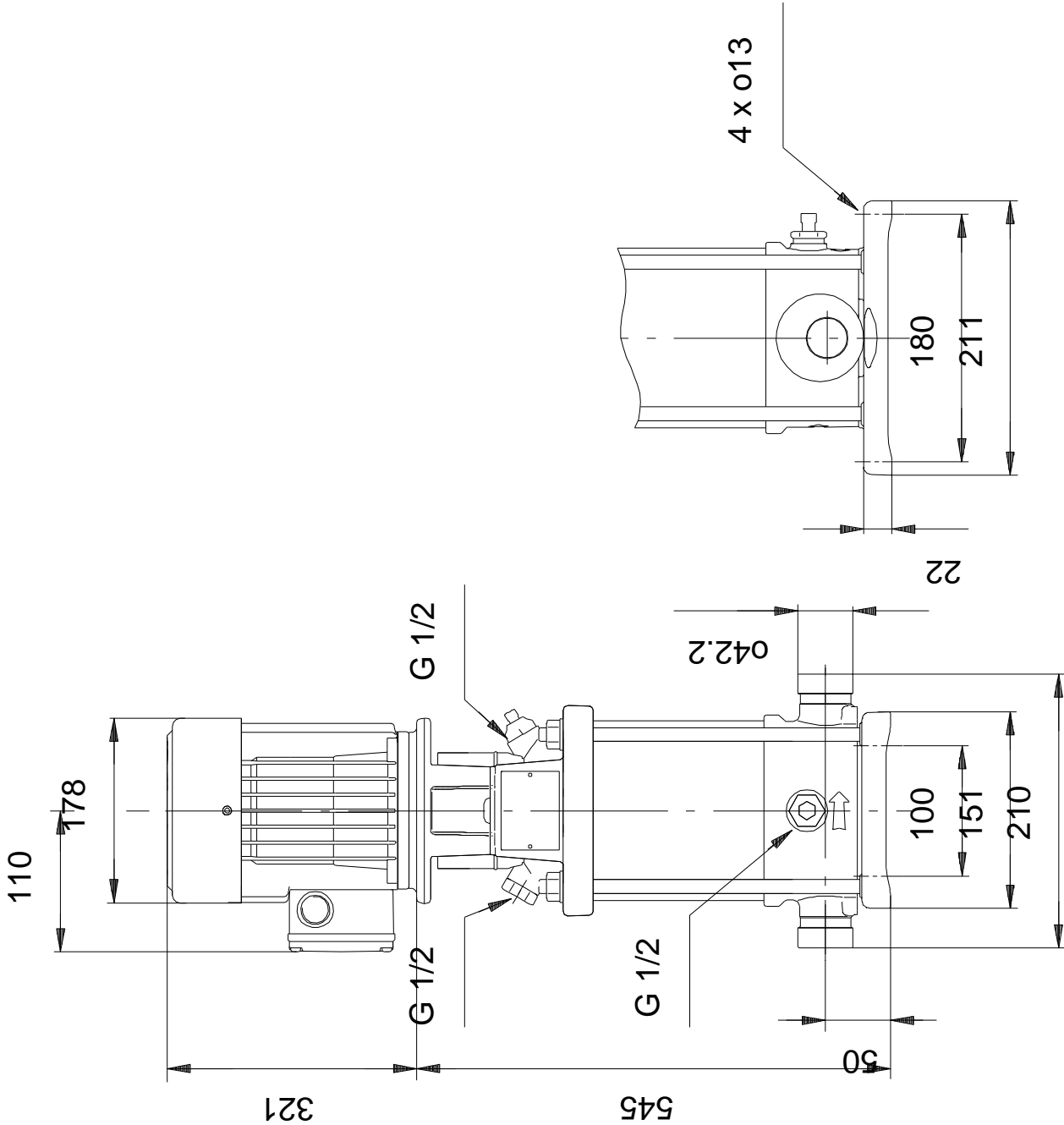
Created by:

Phone:

Date: 19/01/2021

Description	Value
Enclosure class (IEC 34-5):	55 Dust/Jetting
Insulation class (IEC 85):	F
Motor protec:	NONE
Motor No:	85U01908
Others:	
Minimum efficiency index, MEI %:	0.7
Net weight:	36.6 kg
Gross weight:	41.6 kg

96100803 CRT 4-12 A-P-A-E-AUUE 50 Hz



Note! All units are in [mm] unless others are stated.
Disclaimer: This simplified dimensional drawing does not show all details.

96100803 CRT 4-12 A-P-A-E-AUUE 50 Hz



Note! All units are in [mm] unless others are stated.