
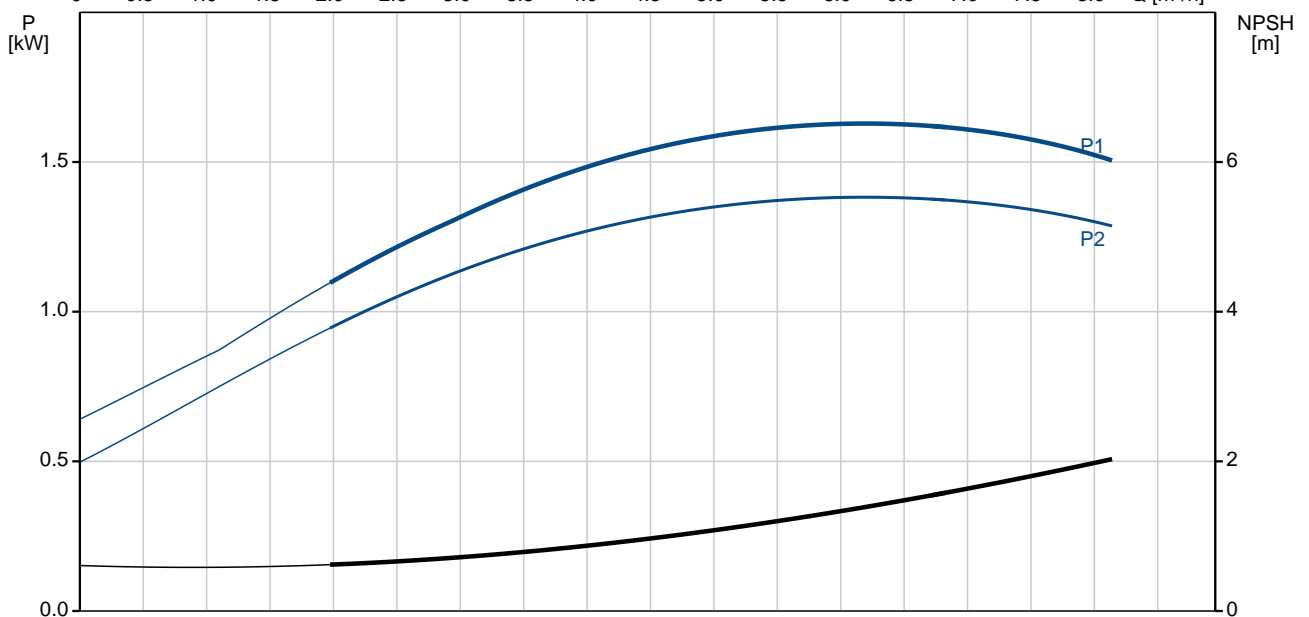
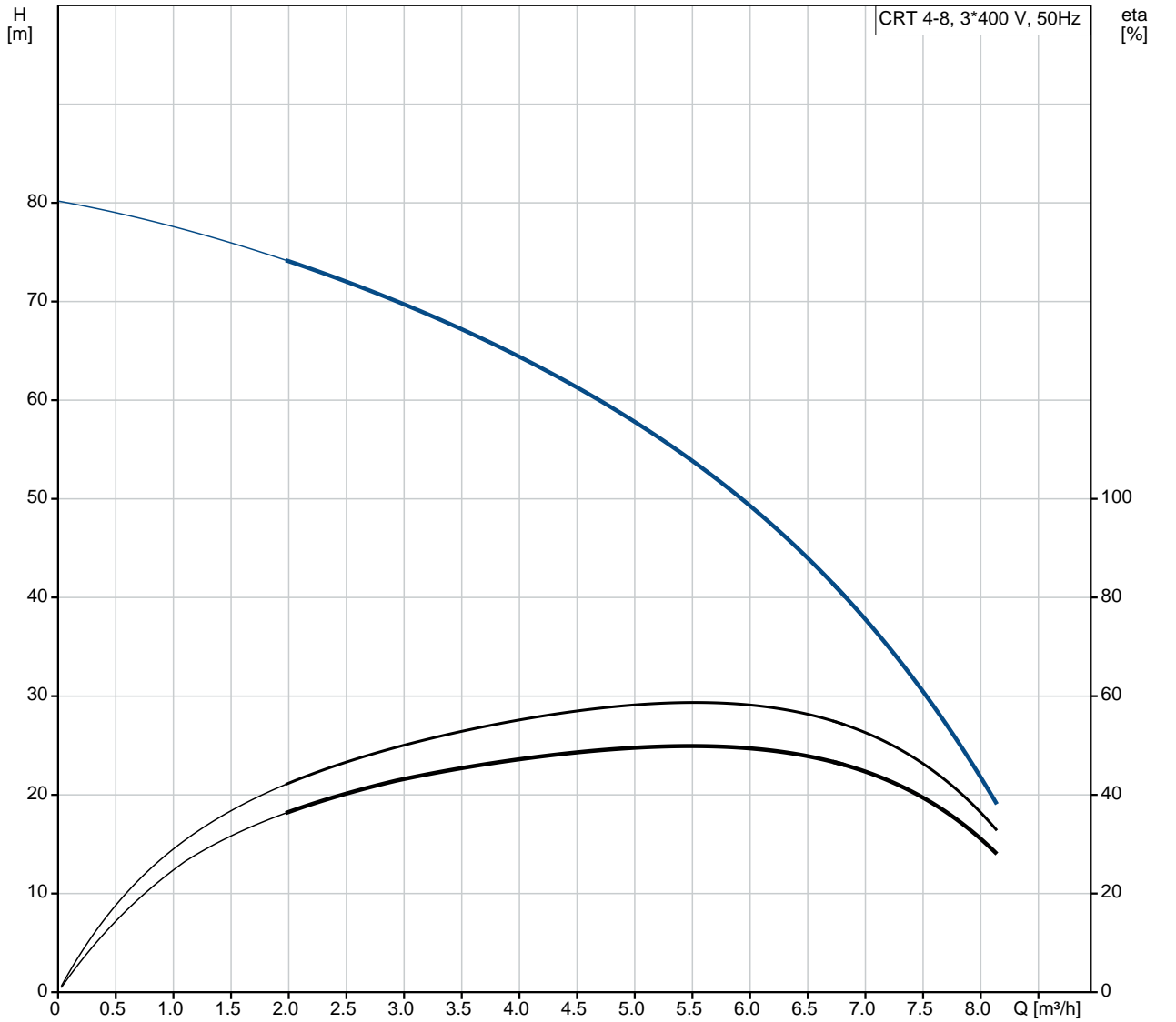


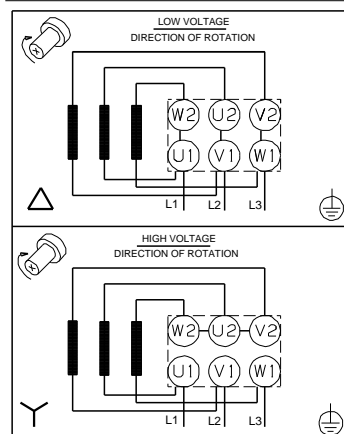
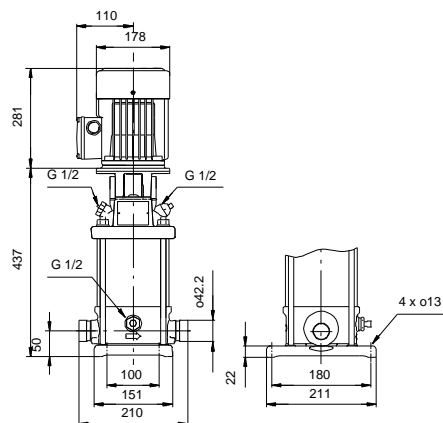
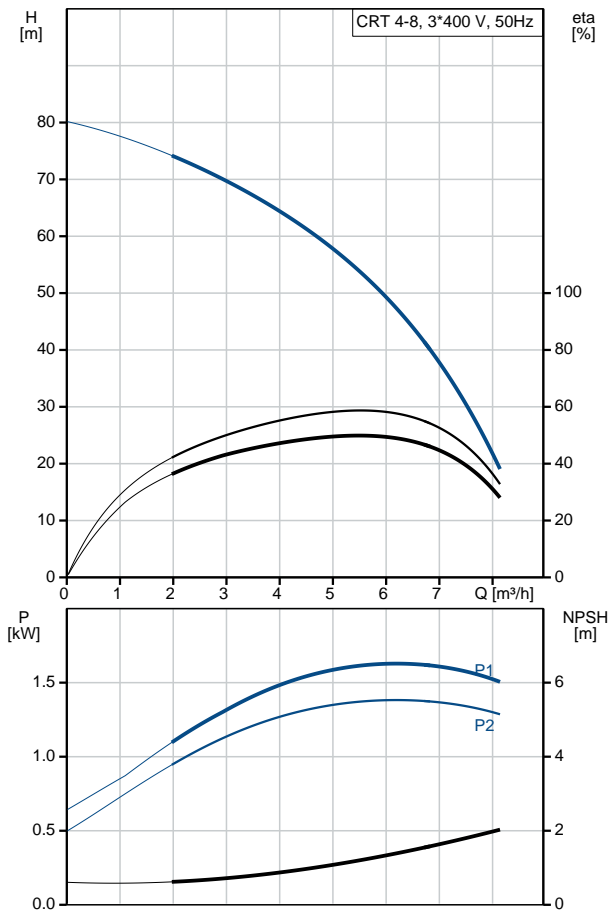
| Qty. | Description   |
|------|---|
| 1    | <p data-bbox="199 338 478 369"><b>CRT 4-8 A-P-A-E-AUUE</b></p>  <p data-bbox="199 660 470 689">Product No.: <a href="#">96100801</a></p> <p data-bbox="199 689 726 779">Vertical, non-self-priming, multistage, in-line, centrifugal pump for installation in pipe systems and mounting on a foundation.</p> <p data-bbox="199 808 678 837">The pump has the following characteristics:</p> <ul data-bbox="236 837 758 866" style="list-style-type: none"> <li>- Impellers, intermediate chambers and outer</li> </ul> <p data-bbox="199 866 885 896">Impeller: sleeve are made of Titanium.</p> <p data-bbox="199 896 1133 925">Pump housing: - Pump head cover and base are made of Titanium.</p> <ul data-bbox="236 925 670 954" style="list-style-type: none"> <li>- The shaft seal has assembly length</li> </ul> <p data-bbox="199 954 462 983">according to EN 12756.</p> <ul data-bbox="236 983 710 1048" style="list-style-type: none"> <li>- Power transmission is via cast iron split coupling.</li> </ul> <p data-bbox="199 1048 925 1113">Flange standard: - Pipework connection is via PJE flanges/couplings.</p> <p data-bbox="199 1135 941 1164">Phase: The motor is a 3-phase AC motor.</p> <p data-bbox="199 1193 279 1223">Liquid:</p> <p data-bbox="199 1223 630 1252">Pumped liquid: Water</p> <p data-bbox="199 1252 710 1281">Liquid temperature range: -20 .. 120 °C</p> <p data-bbox="199 1281 630 1310">Selected liquid temperature: 20 °C</p> <p data-bbox="199 1310 702 1339">Density: 998.2 kg/m<sup>3</sup></p> <p data-bbox="199 1370 319 1400">Technical:</p> <p data-bbox="199 1400 821 1429">Pump speed on which pump data are based: 2900 rpm</p> <p data-bbox="199 1429 638 1458">Rated flow: 6 m<sup>3</sup>/h</p> <p data-bbox="199 1458 646 1487">Rated head: 49.7 m</p> <p data-bbox="199 1487 638 1516">Primary shaft seal: AUUE</p> <p data-bbox="199 1516 646 1545">Approvals on nameplate: CE,TR</p> <p data-bbox="199 1545 766 1574">Curve tolerance: ISO9906:2012 3B</p> <p data-bbox="199 1606 311 1635">Materials:</p> <p data-bbox="199 1635 710 1700">Pump housing: Titanium<br/>ASTM B 265</p> <p data-bbox="199 1700 710 1765">Impeller: Titanium<br/>ASTM B 265</p> <p data-bbox="199 1765 638 1794">Bush material: NONE</p> <p data-bbox="199 1825 327 1854">Installation:</p> <p data-bbox="199 1854 630 1883">Maximum ambient temperature: 60 °C</p> <p data-bbox="199 1883 734 1946">Max pressure at stated temp: 25 bar / 120 °C<br/>25 bar / -20 °C</p> <p data-bbox="199 1946 614 1975">Flange standard: PJE</p> <p data-bbox="199 1975 662 2004">Pipe connection: 42,4 mm</p> <p data-bbox="199 2004 638 2033">Flange size for motor: FT115</p> <p data-bbox="199 2065 367 2094">Electrical data:</p> |

| Qty. | Description   |
|------|---|
|      | <p>Motor type: 90SD</p> <p>IE Efficiency class: IE3</p> <p>Rated power - P2: 1.5 kW</p> <p>Power (P2) required by pump: 1.5 kW</p> <p>Mains frequency: 50 Hz</p> <p>Rated voltage: 3 x 220-240D/380-415Y V</p> <p>Rated current: 5.70/3.30 A</p> <p>Starting current: 750-820 %</p> <p>Cos phi - power factor: 0.84-0.78</p> <p>Rated speed: 2890-2910 rpm</p> <p>Efficiency: IE3 84,2%</p> <p>Motor efficiency at full load: 84.2-84.2 %</p> <p>Motor efficiency at 3/4 load: 86.4 %</p> <p>Motor efficiency at 1/2 load: 86.0 %</p> <p>Number of poles: 2</p> <p>Enclosure class (IEC 34-5): 55 Dust/Jetting</p> <p>Insulation class (IEC 85): F</p> <p>Motor No: 85U01906</p> <p>Others:</p> <p>Minimum efficiency index, MEI <math>\hat{\alpha}\%</math>: 0.7</p> <p>Net weight: 30 kg</p> <p>Gross weight: 35 kg</p> |

## 96100801 CRT 4-8 A-P-A-E-AUUE 50 Hz



| Description                              | Value                      |
|--|----------------------------|
| <b>General information:</b>              |                            |
| Product name:                            | CRT 4-8<br>A-P-A-E-AUUE    |
| Product No:                              | 96100801                   |
| EAN number:                              | 5700395849264              |
| Price:                                   |                            |
| <b>Technical:</b>                        |                            |
| Pump speed on which pump data are based: | 2900 rpm                   |
| Rated flow:                              | 6 m <sup>3</sup> /h        |
| Rated head:                              | 49.7 m                     |
| Maximum head:                            | 80.9 m                     |
| Head max:                                | 80.9 m                     |
| Stages:                                  | 8                          |
| Impellers:                               | 8                          |
| Primary shaft seal:                      | AUUE                       |
| Approvals on nameplate:                  | CE,TR                      |
| Curve tolerance:                         | ISO9906:2012 3B            |
| Pump version:                            | A                          |
| Model:                                   | A                          |
| <b>Materials:</b>                        |                            |
| Pump housing:                            | Titanium                   |
| Pump housing:                            | ASTM B 265                 |
| Impeller:                                | Titanium                   |
| Impeller:                                | ASTM B 265                 |
| Material code:                           | A                          |
| Code for rubber:                         | E                          |
| Bush material:                           | NONE                       |
| <b>Installation:</b>                     |                            |
| Maximum ambient temperature:             | 60 °C                      |
| Max pressure at stated temp:             | 25 bar / 120 °C            |
| Max pressure at stated temp:             | 25 bar / -20 °C            |
| Flange standard:                         | PJE                        |
| Pipe connection:                         | 42,4 mm                    |
| Flange size for motor:                   | FT115                      |
| Connect code:                            | P                          |
| <b>Liquid:</b>                           |                            |
| Pumped liquid:                           | Water                      |
| Liquid temperature range:                | -20 .. 120 °C              |
| Selected liquid temperature:             | 20 °C                      |
| Density:                                 | 998.2 kg/m <sup>3</sup>    |
| <b>Electrical data:</b>                  |                            |
| Motor type:                              | 90SD                       |
| IE Efficiency class:                     | IE3                        |
| Rated power - P2:                        | 1.5 kW                     |
| Power (P2) required by pump:             | 1.5 kW                     |
| Power (P2) required by pump:             | 1.5 kW                     |
| Mains frequency:                         | 50 Hz                      |
| Rated voltage:                           | 3 x 220-240D/380-415Y<br>V |
| Rated current:                           | 5.70/3.30 A                |
| Starting current:                        | 750-820 %                  |
| Cos phi - power factor:                  | 0.84-0.78                  |
| Rated speed:                             | 2890-2910 rpm              |
| Efficiency:                              | IE3 84,2%                  |
| Motor efficiency at full load:           | 84.2-84.2 %                |
| Motor efficiency at 3/4 load:            | 86.4 %                     |
| Motor efficiency at 1/2 load:            | 86.0 %                     |
| Number of poles:                         | 2                          |





Company name:

Created by:

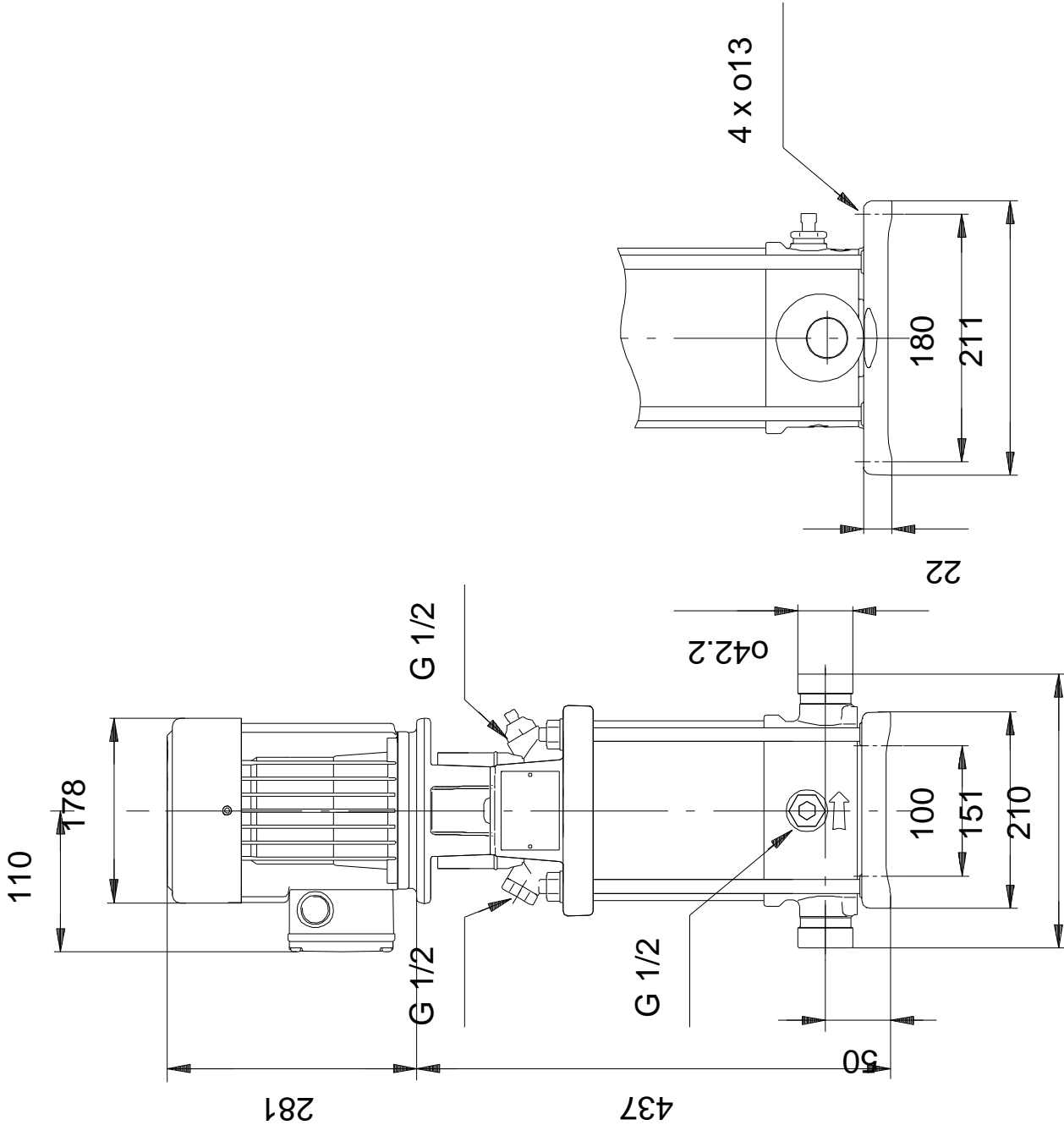
Phone:

Date:

19/01/2021

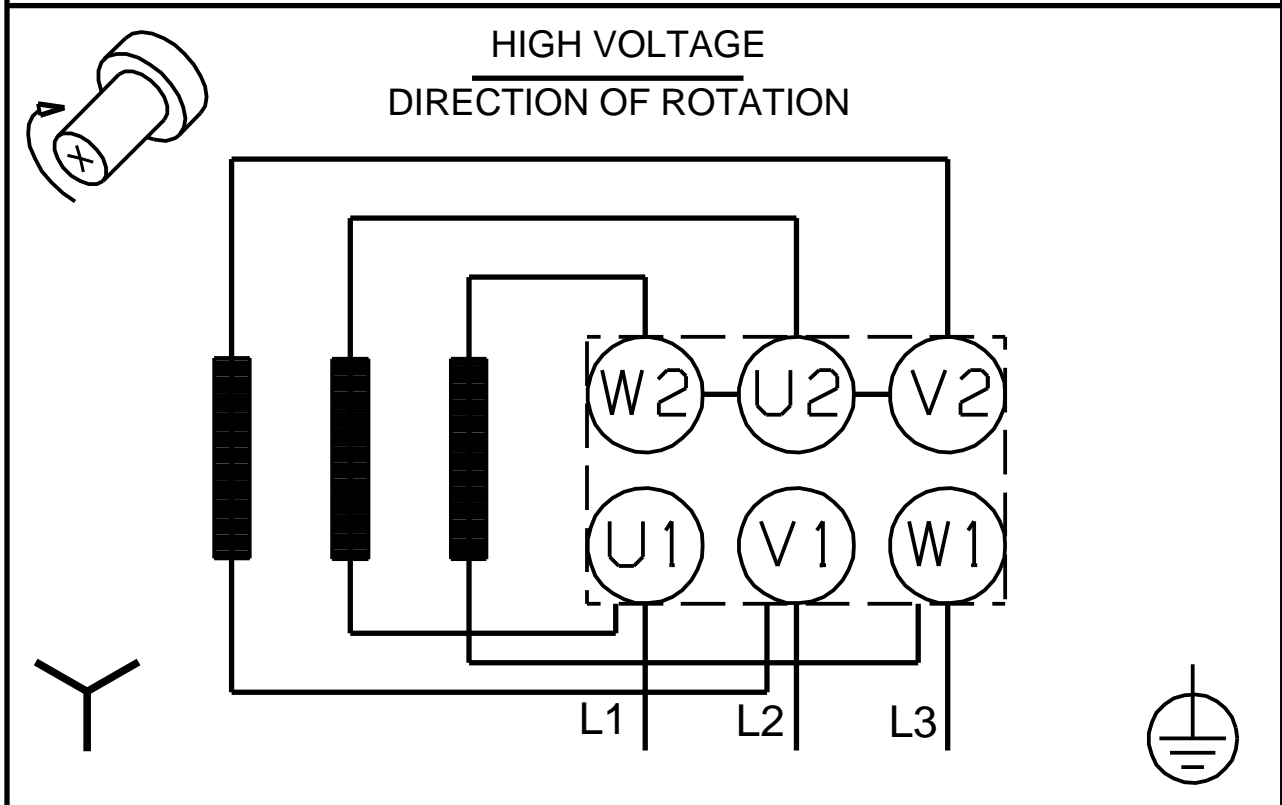
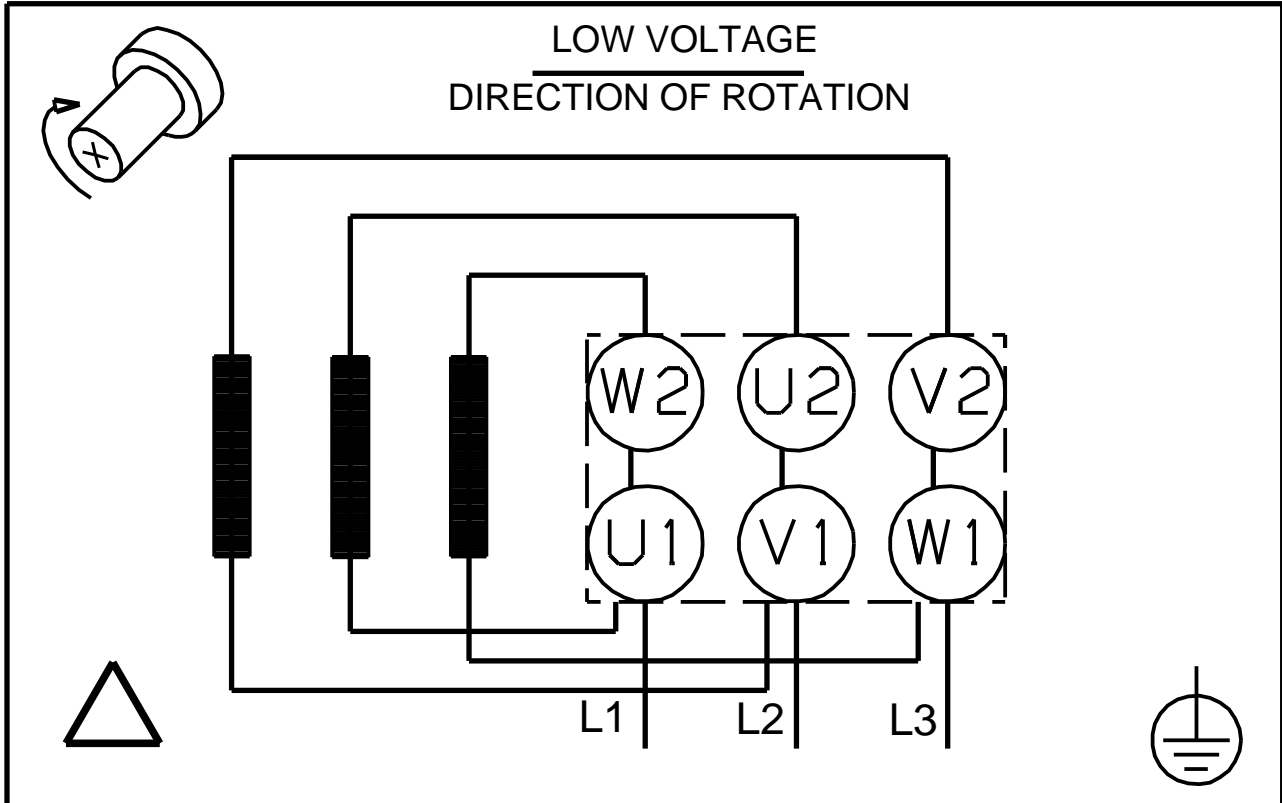
| Description                      | Value           |
|----------------------------------|-----------------|
| Enclosure class (IEC 34-5):      | 55 Dust/Jetting |
| Insulation class (IEC 85):       | F               |
| Motor protec:                    | NONE            |
| Motor No:                        | 85U01906        |
| <b>Others:</b>                   |                 |
| Minimum efficiency index, MEI %: | 0.7             |
| Net weight:                      | 30 kg           |
| Gross weight:                    | 35 kg           |

## 96100801 CRT 4-8 A-P-A-E-AUUE 50 Hz



Note! All units are in [mm] unless others are stated.  
Disclaimer: This simplified dimensional drawing does not show all details.

**96100801 CRT 4-8 A-P-A-E-AUUE 50 Hz**



Note! All units are in [mm] unless others are stated.