
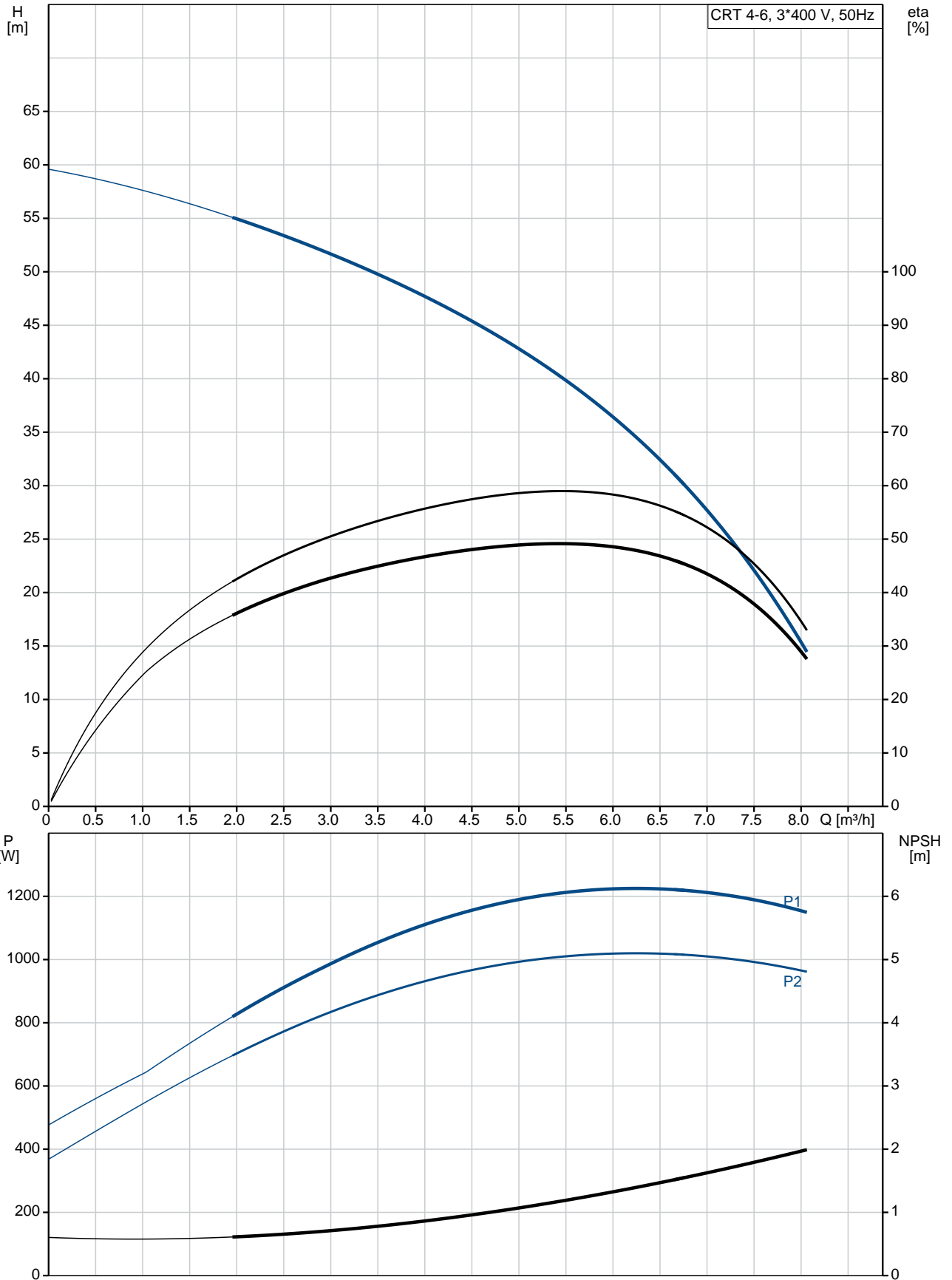


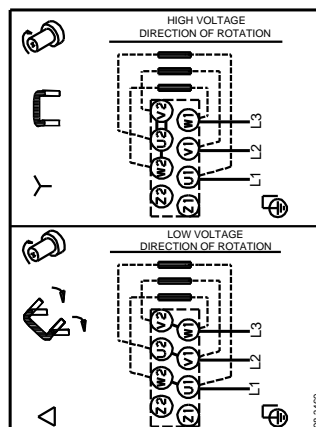
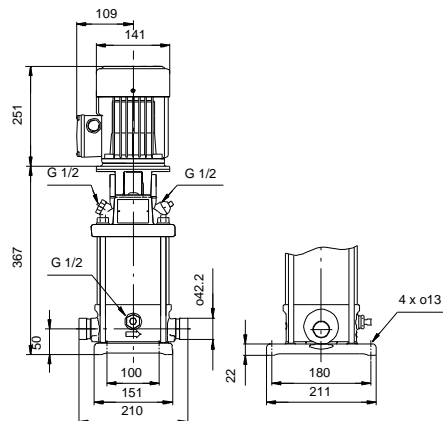
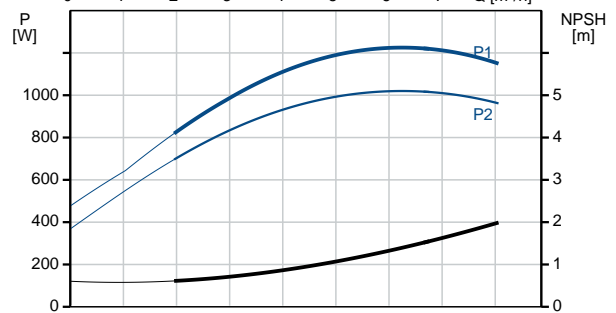
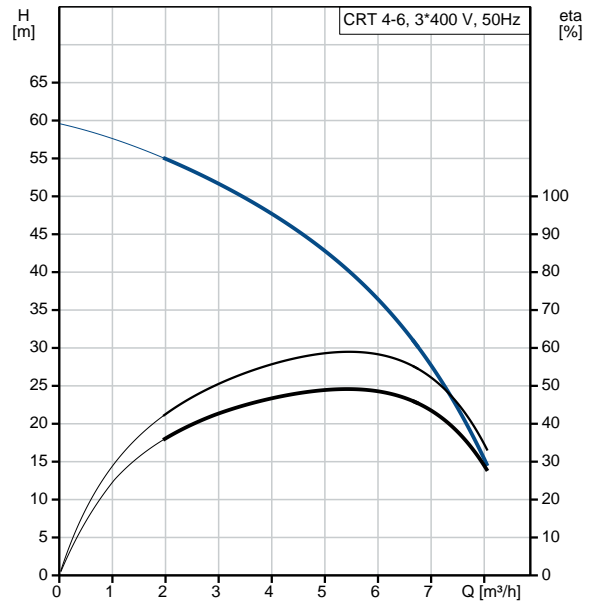
Qty.	Description
1	<p data-bbox="199 340 478 362">CRT 4-6 A-P-A-E-AUUE</p>  <p data-bbox="199 660 470 683">Product No.: 96100799</p> <p data-bbox="199 689 726 772">Vertical, non-self-priming, multistage, in-line, centrifugal pump for installation in pipe systems and mounting on a foundation.</p> <p data-bbox="199 806 678 828">The pump has the following characteristics:</p> <ul data-bbox="239 840 758 862" style="list-style-type: none"> - Impellers, intermediate chambers and outer <p data-bbox="199 869 885 891">Impeller: sleeve are made of Titanium.</p> <p data-bbox="199 898 1133 920">Pump housing: - Pump head cover and base are made of Titanium.</p> <ul data-bbox="239 927 670 949" style="list-style-type: none"> - The shaft seal has assembly length <p data-bbox="199 956 462 978">according to EN 12756.</p> <ul data-bbox="239 985 710 1008" style="list-style-type: none"> - Power transmission is via cast iron split <p data-bbox="199 1014 303 1037">coupling.</p> <p data-bbox="199 1043 925 1066">Flange standard: - Pipework connection is via PJE</p> <p data-bbox="199 1072 399 1095">flanges/couplings.</p> <p data-bbox="199 1131 941 1153">Phase: The motor is a 3-phase AC motor.</p> <p data-bbox="199 1189 279 1211">Liquid:</p> <p data-bbox="199 1218 630 1240">Pumped liquid: Water</p> <p data-bbox="199 1247 710 1270">Liquid temperature range: -22 .. 120 °C</p> <p data-bbox="199 1276 630 1299">Selected liquid temperature: 20 °C</p> <p data-bbox="199 1305 702 1328">Density: 998.2 kg/m³</p> <p data-bbox="199 1364 319 1386">Technical:</p> <p data-bbox="199 1393 821 1415">Pump speed on which pump data are based: 2900 rpm</p> <p data-bbox="199 1422 638 1444">Rated flow: 6 m³/h</p> <p data-bbox="199 1451 646 1473">Rated head: 36.8 m</p> <p data-bbox="199 1480 638 1503">Primary shaft seal: AUUE</p> <p data-bbox="199 1509 638 1532">Approvals on nameplate: CE,TR</p> <p data-bbox="199 1538 766 1561">Curve tolerance: ISO9906:2012 3B</p> <p data-bbox="199 1597 311 1619">Materials:</p> <p data-bbox="199 1626 710 1648">Pump housing: Titanium</p> <p data-bbox="566 1655 710 1677">ASTM B 265</p> <p data-bbox="199 1684 710 1706">Impeller: Titanium</p> <p data-bbox="566 1713 710 1736">ASTM B 265</p> <p data-bbox="199 1742 638 1765">Bush material: NONE</p> <p data-bbox="199 1800 327 1823">Installation:</p> <p data-bbox="199 1830 630 1852">Maximum ambient temperature: 60 °C</p> <p data-bbox="199 1859 734 1881">Max pressure at stated temp: 25 bar / 120 °C</p> <p data-bbox="566 1888 734 1910">25 bar / -22 °C</p> <p data-bbox="199 1917 614 1939">Flange standard: PJE</p> <p data-bbox="199 1946 662 1968">Pipe connection: 42,4 mm</p> <p data-bbox="199 1975 638 1998">Flange size for motor: FT100</p> <p data-bbox="199 2033 367 2056">Electrical data:</p>

Qty.	Description
	<p>Motor type: 80C IE Efficiency class: IE3 Rated power - P2: 1.1 kW Power (P2) required by pump: 1.1 kW 1.1 kW Mains frequency: 50 Hz Rated voltage: 3 x 220-240D/380-415Y V Rated current: 4.35/2.50 A Starting current: 450-500 % Cos phi - power factor: 0.83-0.76 Rated speed: 2840-2870 rpm Efficiency: IE3 82,7% Motor efficiency at full load: 82.7 % Motor efficiency at 3/4 load: 84.6 % Motor efficiency at 1/2 load: 85.4 % Number of poles: 2 Enclosure class (IEC 34-5): 55 Dust/Jetting Insulation class (IEC 85): F Motor No: 85U05105</p> <p>Others: Minimum efficiency index, MEI $\hat{\alpha}\%$: 0.7 Net weight: 20 kg Gross weight: 25 kg</p>

96100799 CRT 4-6 A-P-A-E-AUUE 50 Hz



Description	Value
General information:	
Product name:	CRT 4-6 A-P-A-E-AUUE
Product No:	96100799
EAN number:	5700395849240
Price:	
Technical:	
Pump speed on which pump data are based:	2900 rpm
Rated flow:	6 m ³ /h
Rated head:	36.8 m
Maximum head:	60.5 m
Head max:	60.5 m
Stages:	6
Impellers:	6
Primary shaft seal:	AUUE
Approvals on nameplate:	CE, TR
Curve tolerance:	ISO9906:2012 3B
Pump version:	A
Model:	A
Materials:	
Pump housing:	Titanium
Pump housing:	ASTM B 265
Impeller:	Titanium
Impeller:	ASTM B 265
Material code:	A
Code for rubber:	E
Bush material:	NONE
Installation:	
Maximum ambient temperature:	60 °C
Max pressure at stated temp:	25 bar / 120 °C
Max pressure at stated temp:	25 bar / -22 °C
Flange standard:	PJE
Pipe connection:	42,4 mm
Flange size for motor:	FT100
Connect code:	P
Liquid:	
Pumped liquid:	Water
Liquid temperature range:	-22 .. 120 °C
Selected liquid temperature:	20 °C
Density:	998.2 kg/m ³
Electrical data:	
Motor type:	80C
IE Efficiency class:	IE3
Rated power - P2:	1.1 kW
Power (P2) required by pump:	1.1 kW
Power (P2) required by pump:	1.1 kW
Mains frequency:	50 Hz
Rated voltage:	3 x 220-240D/380-415Y V
Rated current:	4.35/2.50 A
Starting current:	450-500 %
Cos phi - power factor:	0.83-0.76
Rated speed:	2840-2870 rpm
Efficiency:	IE3 82,7%
Motor efficiency at full load:	82.7 %
Motor efficiency at 3/4 load:	84.6 %
Motor efficiency at 1/2 load:	85.4 %
Number of poles:	2





Company name:

Created by:

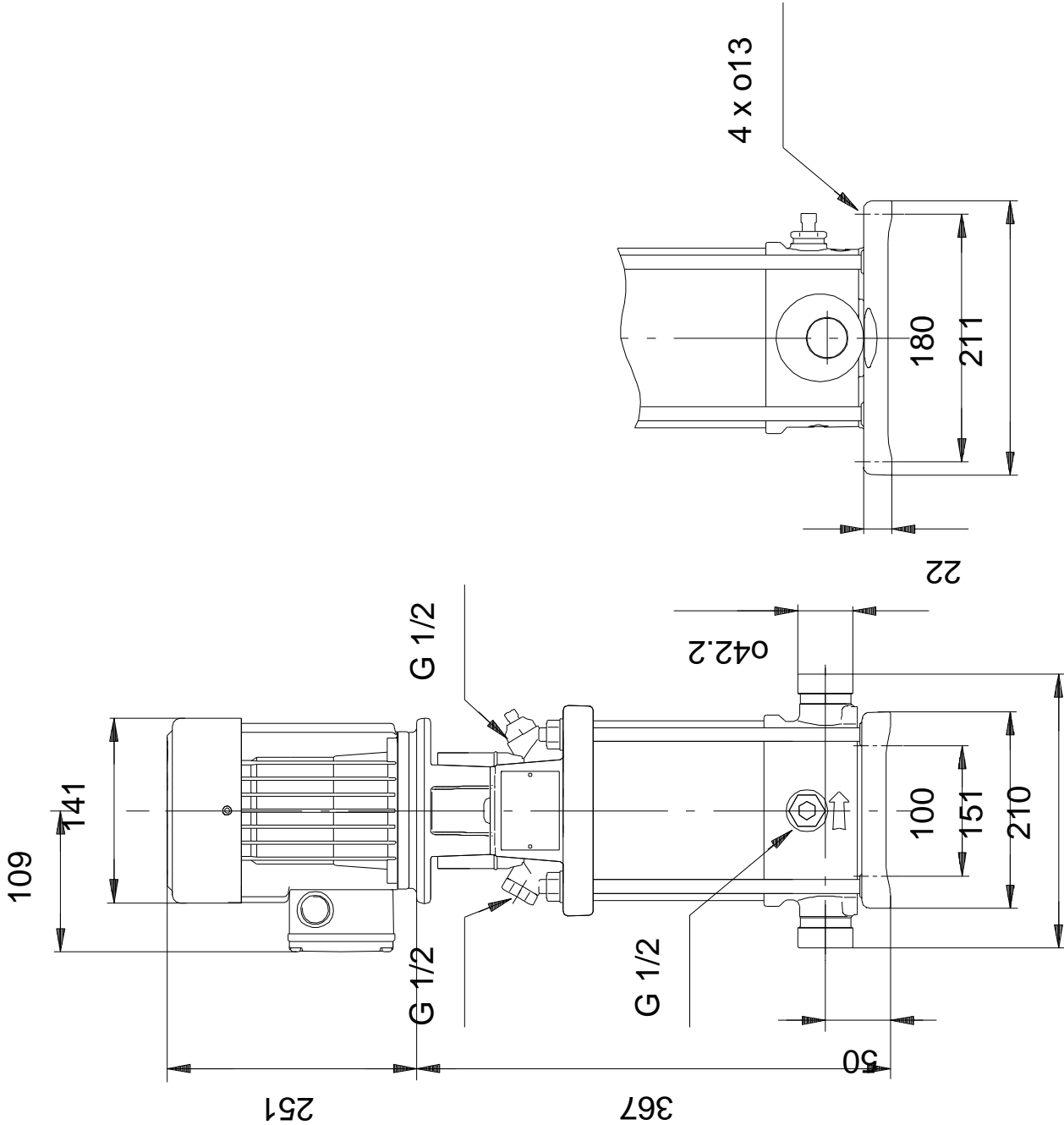
Phone:

Date:

19/01/2021

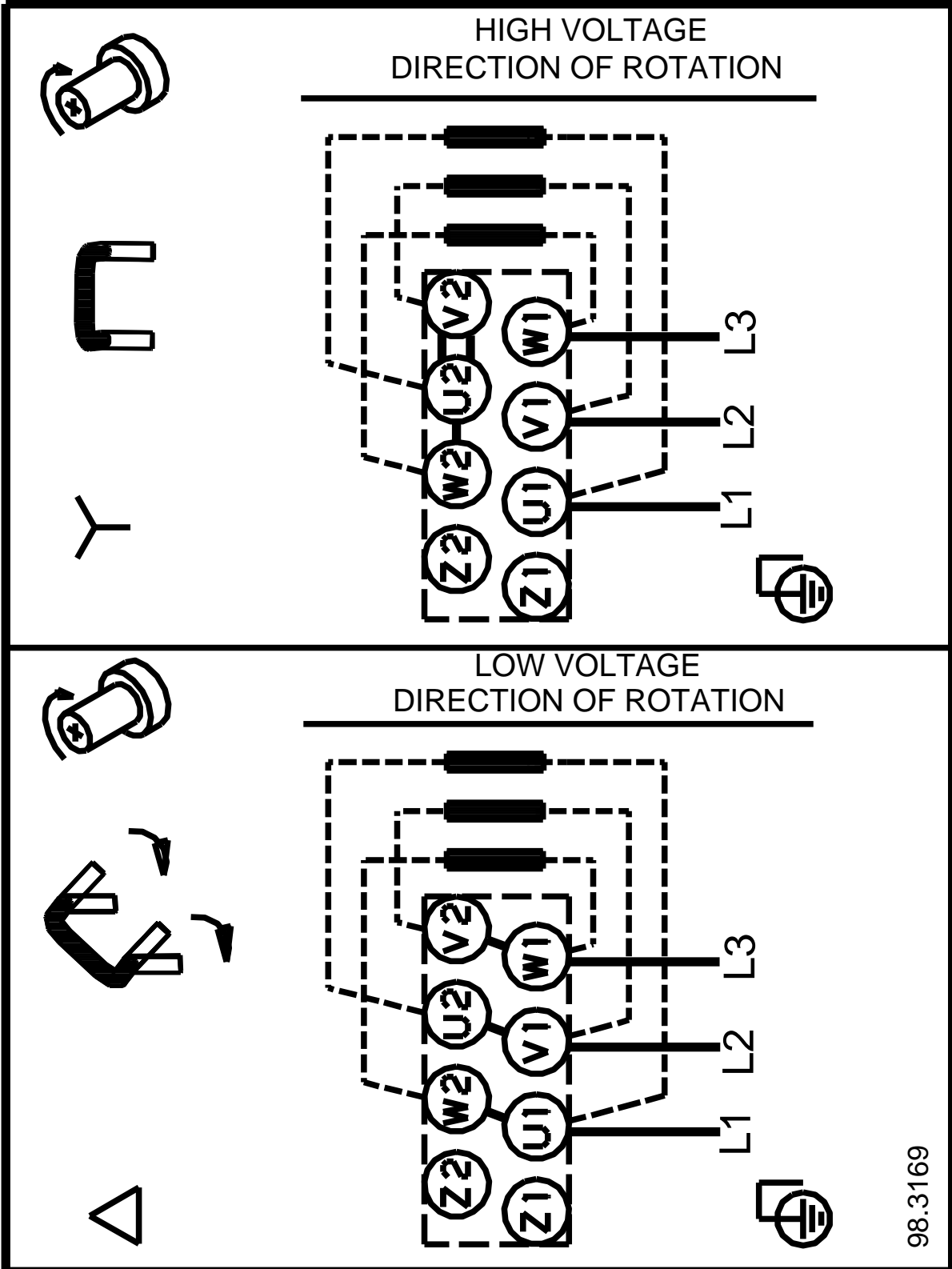
Description	Value
Enclosure class (IEC 34-5):	55 Dust/Jetting
Insulation class (IEC 85):	F
Motor protec:	NONE
Motor No:	85U05105
Others:	
Minimum efficiency index, MEI %:	0.7
Net weight:	20 kg
Gross weight:	25 kg

96100799 CRT 4-6 A-P-A-E-AUUE 50 Hz



Note! All units are in [mm] unless others are stated.
Disclaimer: This simplified dimensional drawing does not show all details.

96100799 CRT 4-6 A-P-A-E-AUUE 50 Hz



98.3169

Note! All units are in [mm] unless others are stated.