


| Qty. | Description |
|------|--|
| 1 | <p data-bbox="199 336 478 369">CRT 4-5 A-P-A-E-AUUE</p>  <p data-bbox="199 660 718 772">Product No.: 96100798 Vertical, non-self-priming, multistage, in-line, centrifugal pump for installation in pipe systems and mounting on a foundation.</p> <p data-bbox="199 806 1133 1041">The pump has the following characteristics: - Impellers, intermediate chambers and outer Impeller: sleeve are made of Titanium. Pump housing: - Pump head cover and base are made of Titanium. - The shaft seal has assembly length according to EN 12756. - Power transmission is via cast iron split coupling.</p> <p data-bbox="199 1041 925 1108">Flange standard: - Pipework connection is via PJE flanges/couplings.</p> <p data-bbox="199 1131 941 1164">Phase: The motor is a 3-phase AC motor.</p> <p data-bbox="199 1198 702 1344">Liquid: Pumped liquid: Water Liquid temperature range: -20 .. 120 °C Selected liquid temperature: 20 °C Density: 998.2 kg/m³</p> <p data-bbox="199 1377 821 1579">Technical: Pump speed on which pump data are based: 2900 rpm Rated flow: 6 m³/h Rated head: 30.6 m Primary shaft seal: AUUE Approvals on nameplate: CE,TR Curve tolerance: ISO9906:2012 3B</p> <p data-bbox="199 1612 710 1792">Materials: Pump housing: Titanium ASTM B 265 Impeller: Titanium ASTM B 265 Bush material: NONE</p> <p data-bbox="199 1825 734 1937">Installation: Maximum ambient temperature: 60 °C Max pressure at stated temp: 25 bar / 120 °C 25 bar / -20 °C</p> <p data-bbox="199 1937 662 2027">Flange standard: PJE Pipe connection: 42,4 mm Flange size for motor: FT100</p> <p data-bbox="199 2049 367 2083">Electrical data:</p> |



Company name:

Created by:

Phone:

Date:

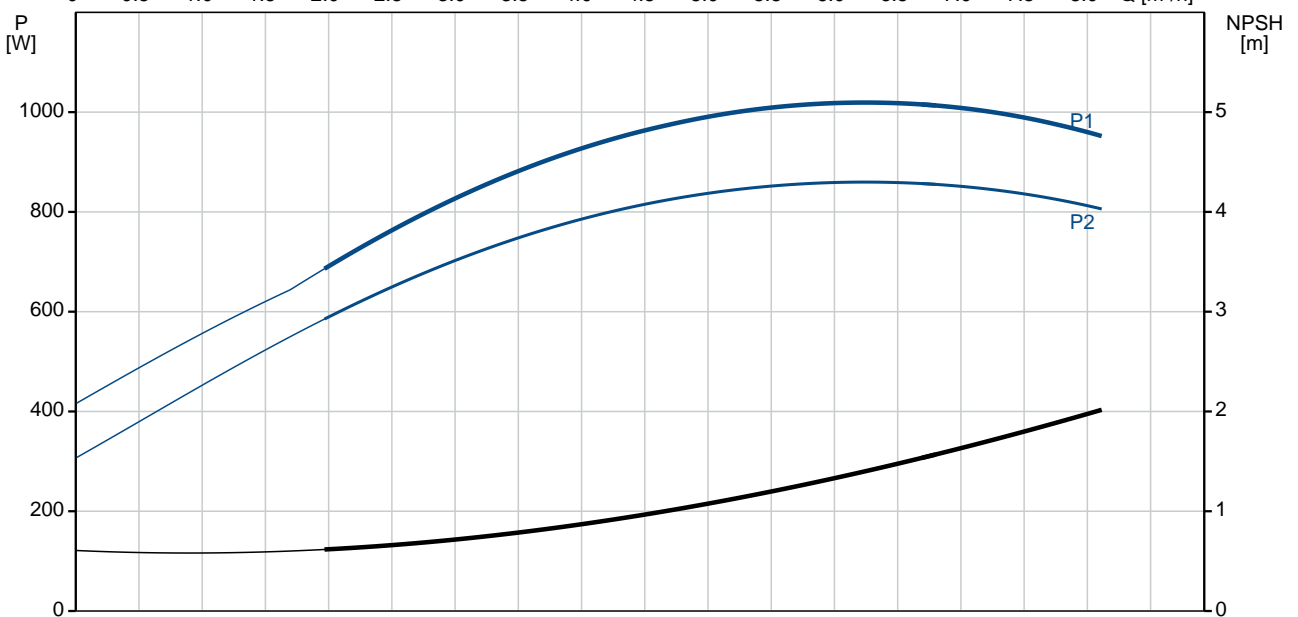
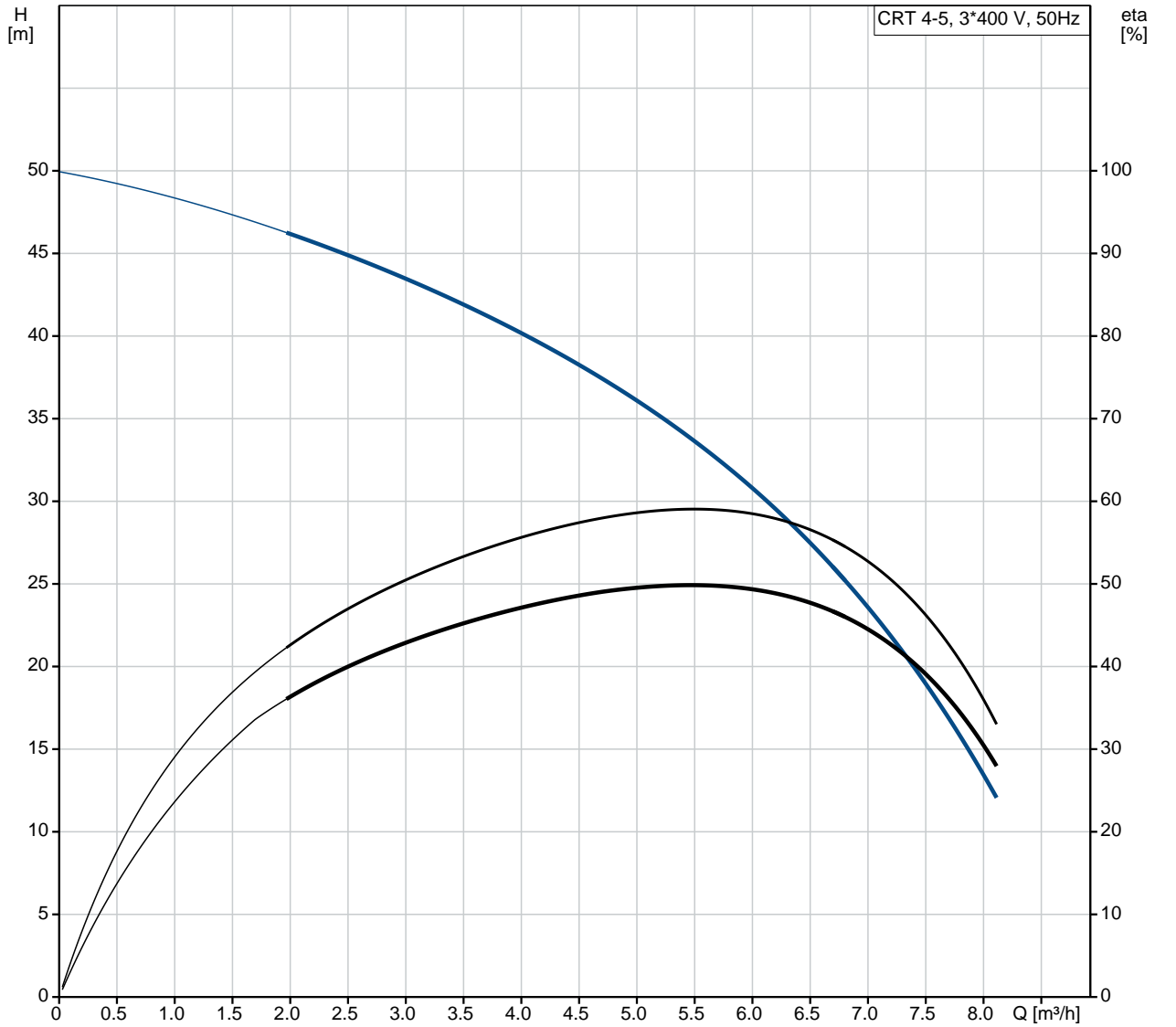
19/01/2021

Qty. Description

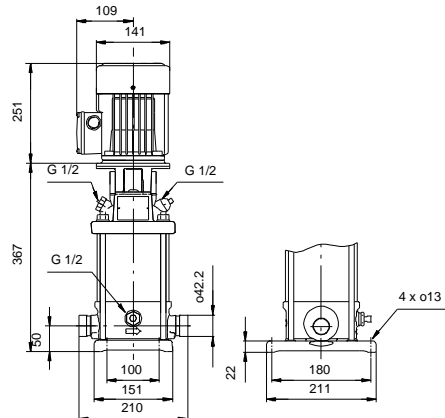
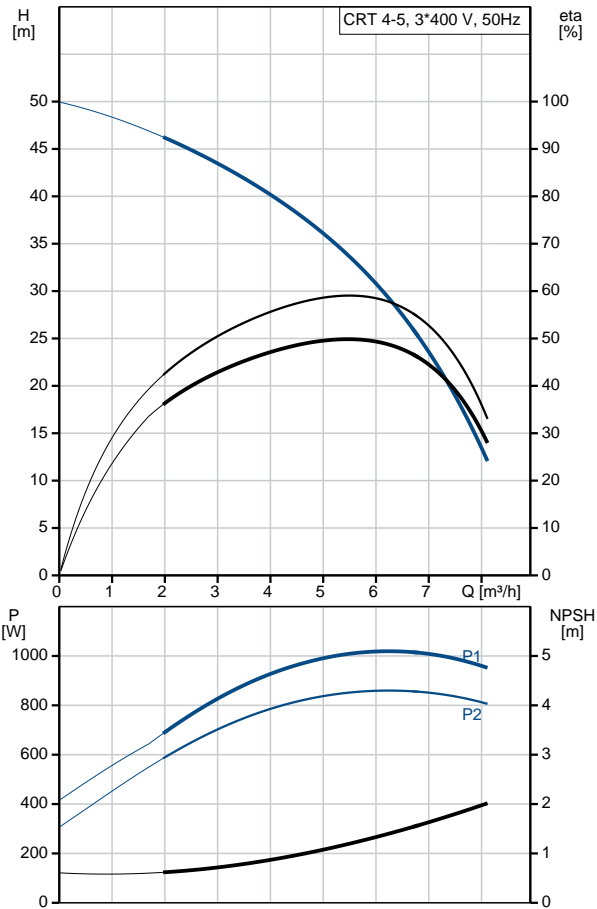
Motor type: 80C
IE Efficiency class: IE3
Rated power - P2: 1.1 kW
Power (P2) required by pump: 1.1 kW
Mains frequency: 50 Hz
Rated voltage: 3 x 220-240D/380-415Y V
Rated current: 4.35/2.50 A
Starting current: 450-500 %
Cos phi - power factor: 0.83-0.76
Rated speed: 2840-2870 rpm
Efficiency: IE3 82,7%
Motor efficiency at full load: 82.7 %
Motor efficiency at 3/4 load: 84.6 %
Motor efficiency at 1/2 load: 85.4 %
Number of poles: 2
Enclosure class (IEC 34-5): 55 Dust/Jetting
Insulation class (IEC 85): F
Motor No: 85U05105

Others:
Minimum efficiency index, MEI $\hat{\alpha}\%$: 0.7
Net weight: 19.7 kg
Gross weight: 24.7 kg

96100798 CRT 4-5 A-P-A-E-AUUE 50 Hz



| Description | Value |
|--|----------------------------|
| General information: | |
| Product name: | CRT 4-5 A-P-A-E-AUUE |
| Product No: | 96100798 |
| EAN number: | 5700395849233 |
| Price: | |
| Technical: | |
| Pump speed on which pump data are based: | 2900 rpm |
| Rated flow: | 6 m ³ /h |
| Rated head: | 30.6 m |
| Maximum head: | 50.7 m |
| Head max: | 50.7 m |
| Stages: | 6 |
| Impellers: | 5 |
| Primary shaft seal: | AUUE |
| Approvals on nameplate: | CE,TR |
| Curve tolerance: | ISO9906:2012 3B |
| Pump version: | A |
| Model: | A |
| Materials: | |
| Pump housing: | Titanium |
| Pump housing: | ASTM B 265 |
| Impeller: | Titanium |
| Impeller: | ASTM B 265 |
| Material code: | A |
| Code for rubber: | E |
| Bush material: | NONE |
| Installation: | |
| Maximum ambient temperature: | 60 °C |
| Max pressure at stated temp: | 25 bar / 120 °C |
| Max pressure at stated temp: | 25 bar / -20 °C |
| Flange standard: | PJE |
| Pipe connection: | 42,4 mm |
| Flange size for motor: | FT100 |
| Connect code: | P |
| Liquid: | |
| Pumped liquid: | Water |
| Liquid temperature range: | -20 .. 120 °C |
| Selected liquid temperature: | 20 °C |
| Density: | 998.2 kg/m ³ |
| Electrical data: | |
| Motor type: | 80C |
| IE Efficiency class: | IE3 |
| Rated power - P2: | 1.1 kW |
| Power (P2) required by pump: | 1.1 kW |
| Power (P2) required by pump: | 1.1 kW |
| Mains frequency: | 50 Hz |
| Rated voltage: | 3 x 220-240D/380-415Y V |
| Rated current: | 4.35/2.50 A |
| Starting current: | 450-500 % |
| Cos phi - power factor: | 0.83-0.76 |
| Rated speed: | 2840-2870 rpm |
| Efficiency: | IE3 82,7% |
| Motor efficiency at full load: | 82.7 % |
| Motor efficiency at 3/4 load: | 84.6 % |
| Motor efficiency at 1/2 load: | 85.4 % |
| Number of poles: | 2 |





Company name:

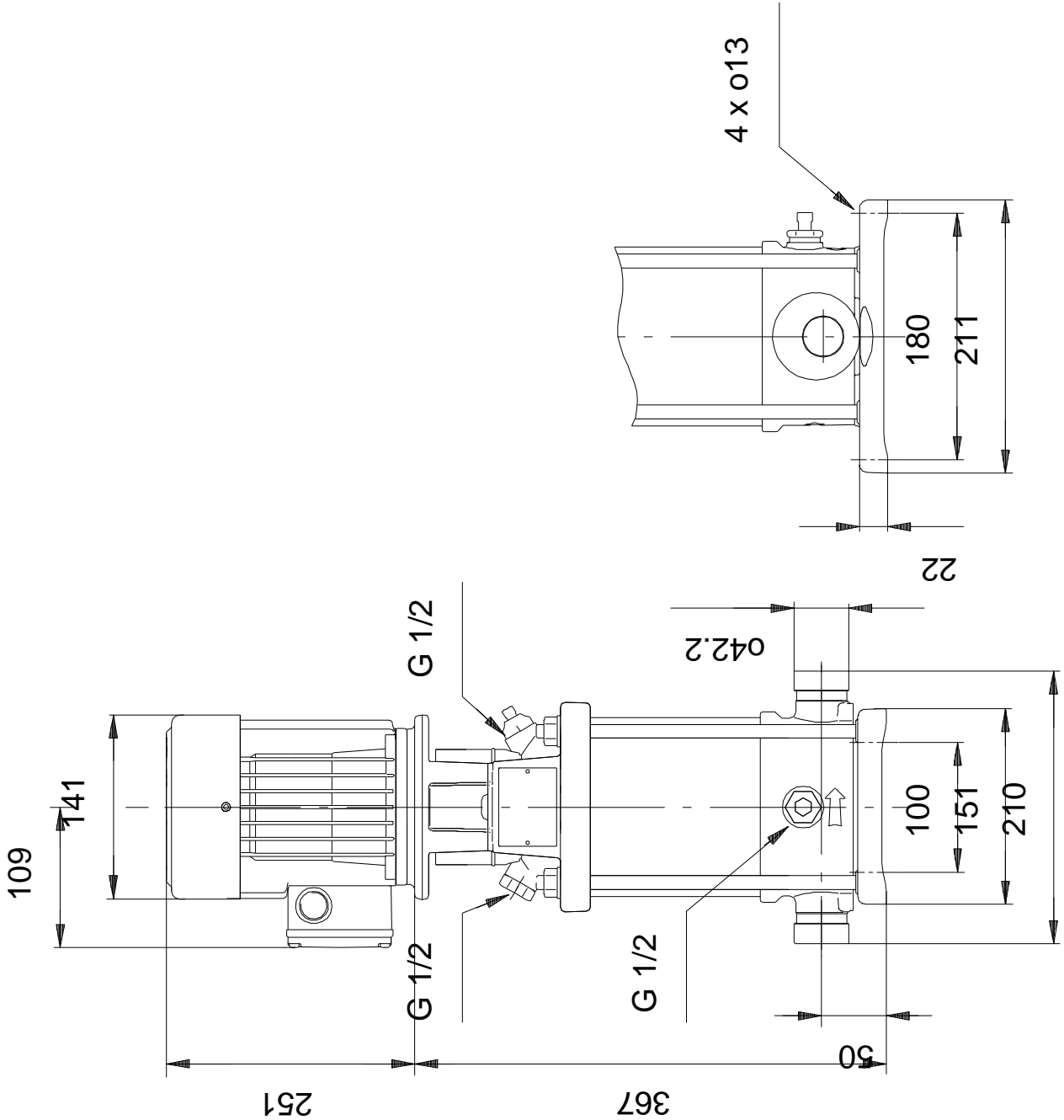
Created by:

Phone:

Date: 19/01/2021

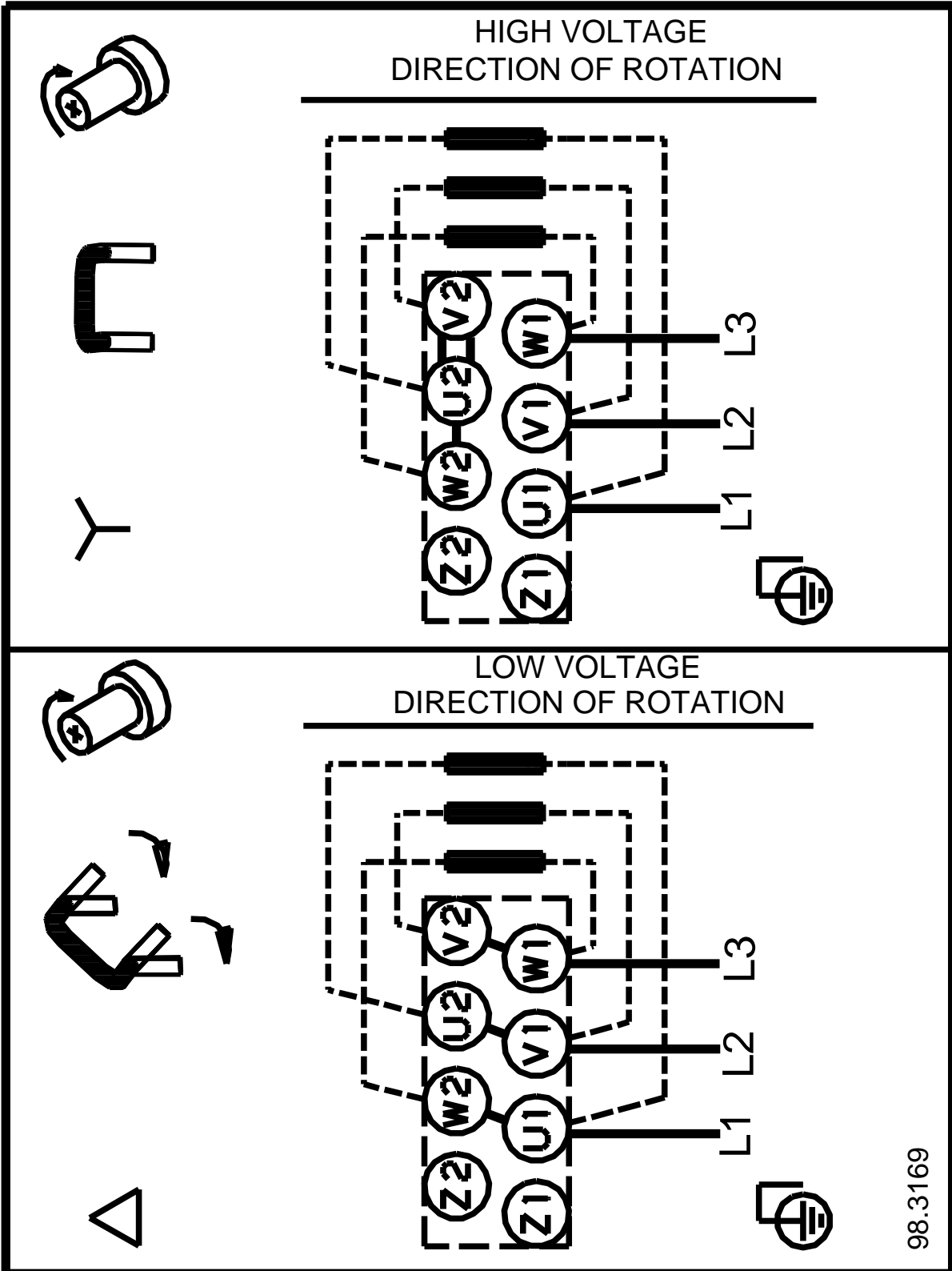
| Description | Value |
|----------------------------------|-----------------|
| Enclosure class (IEC 34-5): | 55 Dust/Jetting |
| Insulation class (IEC 85): | F |
| Motor protec: | NONE |
| Motor No: | 85U05105 |
| Others: | |
| Minimum efficiency index, MEI %: | 0.7 |
| Net weight: | 19.7 kg |
| Gross weight: | 24.7 kg |

96100798 CRT 4-5 A-P-A-E-AUUE 50 Hz



Note! All units are in [mm] unless others are stated.
Disclaimer: This simplified dimensional drawing does not show all details.

96100798 CRT 4-5 A-P-A-E-AUUE 50 Hz



Note! All units are in [mm] unless others are stated.