
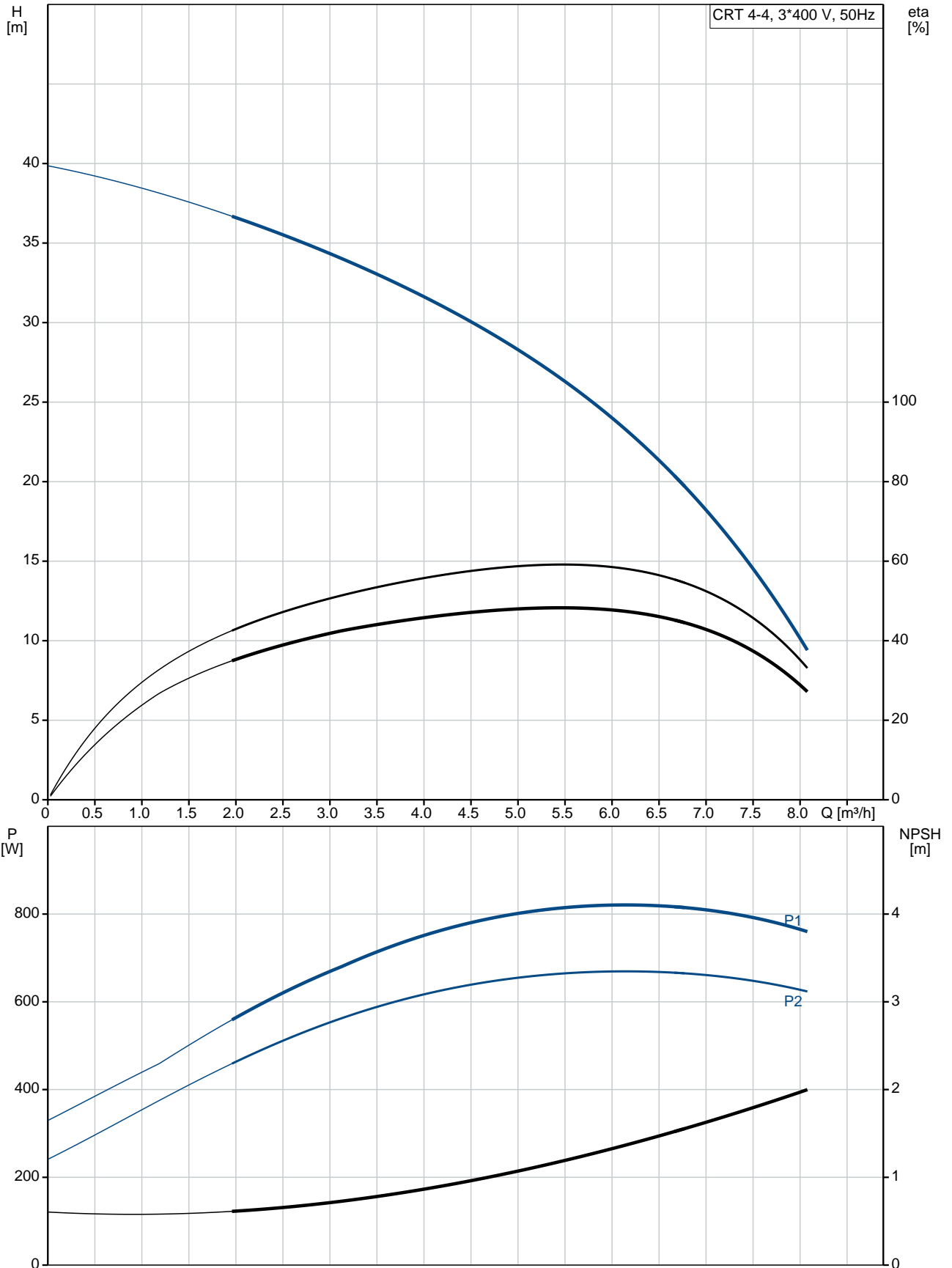


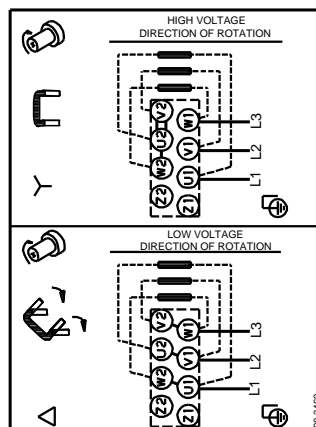
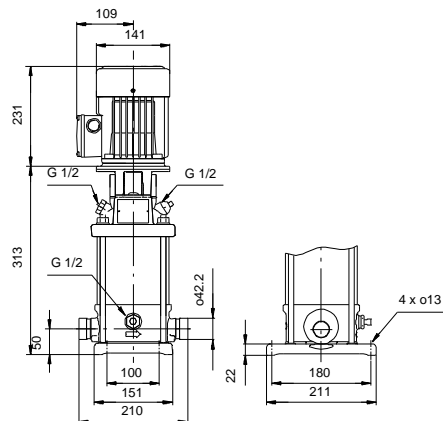
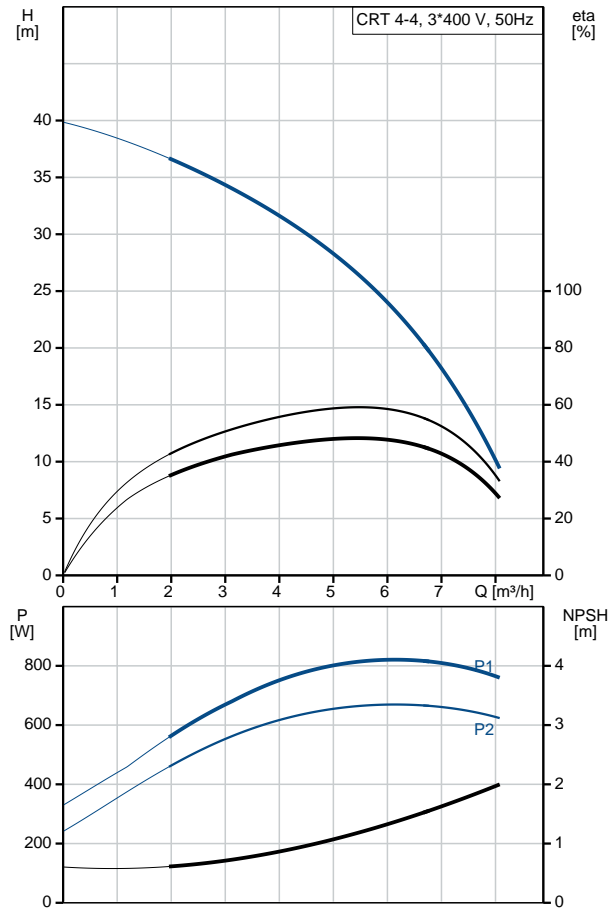
| Qty. | Description |
|------|-----------------------------------------------------------------------------------------------------------------------------------------------------------------------------------------------------------------------------------------------------------------------------------------------------------------------------------------------------------------------------------------------------------------------------------------------------------------------------------------------------------------------------------------------------------------------------------------------------------------------------------------------------------------------------------------------------------------------------------------------------------------------------------------------------------------------------------------------------------------------------------------------------------------------------------------------------------------------------------------------------------------------------------------------------------------------------------------------------------------------------------------------------------------------------------------------------------------------------------------------------------------------------------------------------------------------------------------------------------------------------------------------------------------------------------------------------------------------------------------------------------------------------------------------------------------------------------------------------------------------------------------------------------------------------------------------------------------------------------------------------------------------------------------------------------------------------------------------------------------------------------------------------------------------------------------------------------------------------------------------------------------------------------------------------------------------------------------------------------------------------------------------------------------------------------------------------------------------------------------------------------------------------------------------------------------------------------------------------------------------------------------------------------------------------------------------------------------------------------------------------------------------------------------------------------------------------------------------------------------------------------------------------------------------------------------------------------------------------------------------------------------------------------------------------------------------------------------------------|
| 1 | <p data-bbox="204 342 475 365">CRT 4-4 A-P-A-E-AUUE</p>  <p data-bbox="204 663 467 685">Product No.: 96100797</p> <p data-bbox="204 692 724 777">Vertical, non-self-priming, multistage, in-line, centrifugal pump for installation in pipe systems and mounting on a foundation.</p> <p data-bbox="204 810 679 837">The pump has the following characteristics:</p> <ul data-bbox="240 842 759 869" style="list-style-type: none"> - Impellers, intermediate chambers and outer <p data-bbox="204 871 884 898">Impeller: sleeve are made of Titanium.</p> <p data-bbox="204 900 1129 927">Pump housing: - Pump head cover and base are made of Titanium.</p> <ul data-bbox="240 931 668 958" style="list-style-type: none"> - The shaft seal has assembly length <p data-bbox="204 960 462 987">according to EN 12756.</p> <ul data-bbox="240 992 711 1046" style="list-style-type: none"> - Power transmission is via cast iron split coupling. <p data-bbox="204 1050 925 1104">Flange standard: - Pipework connection is via PJE flanges/couplings.</p> <p data-bbox="204 1137 940 1164">Phase: The motor is a 3-phase AC motor.</p> <p data-bbox="204 1198 277 1225">Liquid:</p> <p data-bbox="204 1229 635 1256">Pumped liquid: Water</p> <p data-bbox="204 1258 707 1285">Liquid temperature range: -20 .. 120 °C</p> <p data-bbox="204 1288 632 1314">Selected liquid temperature: 20 °C</p> <p data-bbox="204 1317 699 1344">Density: 998.2 kg/m³</p> <p data-bbox="204 1377 317 1404">Technical:</p> <p data-bbox="204 1408 820 1435">Pump speed on which pump data are based: 2900 rpm</p> <p data-bbox="204 1438 636 1464">Rated flow: 6 m³/h</p> <p data-bbox="204 1467 643 1494">Rated head: 23.9 m</p> <p data-bbox="204 1496 636 1523">Primary shaft seal: AUUE</p> <p data-bbox="204 1525 639 1552">Approvals on nameplate: CE,TR</p> <p data-bbox="204 1554 764 1581">Curve tolerance: ISO9906:2012 3B</p> <p data-bbox="204 1615 312 1641">Materials:</p> <p data-bbox="204 1646 708 1700">Pump housing: Titanium ASTM B 265</p> <p data-bbox="204 1702 708 1756">Impeller: Titanium ASTM B 265</p> <p data-bbox="204 1758 639 1785">Bush material: NONE</p> <p data-bbox="204 1818 330 1845">Installation:</p> <p data-bbox="204 1850 632 1877">Maximum ambient temperature: 60 °C</p> <p data-bbox="204 1879 734 1933">Max pressure at stated temp: 25 bar / 120 °C 25 bar / -20 °C</p> <p data-bbox="204 1937 612 1964">Flange standard: PJE</p> <p data-bbox="204 1966 663 1993">Pipe connection: 42,4 mm</p> <p data-bbox="204 1995 639 2022">Flange size for motor: FT100</p> <p data-bbox="204 2056 367 2083">Electrical data:</p> |

| Qty. | Description |
|------|---------------------------------------------------------------------------------------------------------------------------------------------------------------------------------------------------------------------------------------------------------------------------------------------------------------------------------------------------------------------------------------------------------------------------------------------------------------------------------------------------------------------------------------------------------------------------------------------------------------------------------------------------------------------------------------------------------------------------------------------------------------|
| | <p>Motor type: 80A IE Efficiency class: IE3 Rated power - P2: 0.75 kW Power (P2) required by pump: 0.75 kW Mains frequency: 50 Hz Rated voltage: 3 x 220-240D/380-415Y V Rated current: 3.30/1.90 A Starting current: 580-620 % Cos phi - power factor: 0.81-0.71 Rated speed: 2840-2870 rpm Efficiency: IE3 80,7% Motor efficiency at full load: 80.7 % Motor efficiency at 3/4 load: 82.7 % Motor efficiency at 1/2 load: 81.7 % Number of poles: 2 Enclosure class (IEC 34-5): 55 Dust/Jetting Insulation class (IEC 85): F Motor No: 85U05104</p> <p>Others: Minimum efficiency index, MEI $\hat{\alpha}\%$: 0.7 Net weight: 18.8 kg Gross weight: 23.8 kg</p> |

96100797 CRT 4-4 A-P-A-E-AUUE 50 Hz



| Description | Value |
|------------------------------------------|----------------------------|
| General information: | |
| Product name: | CRT 4-4 A-P-A-E-AUUE |
| Product No: | 96100797 |
| EAN number: | 5700395849226 |
| Price: | |
| Technical: | |
| Pump speed on which pump data are based: | 2900 rpm |
| Rated flow: | 6 m ³ /h |
| Rated head: | 23.9 m |
| Maximum head: | 40.2 m |
| Head max: | 40.2 m |
| Stages: | 4 |
| Impellers: | 4 |
| Primary shaft seal: | AUUE |
| Approvals on nameplate: | CE,TR |
| Curve tolerance: | ISO9906:2012 3B |
| Pump version: | A |
| Model: | A |
| Materials: | |
| Pump housing: | Titanium |
| Pump housing: | ASTM B 265 |
| Impeller: | Titanium |
| Impeller: | ASTM B 265 |
| Material code: | A |
| Code for rubber: | E |
| Bush material: | NONE |
| Installation: | |
| Maximum ambient temperature: | 60 °C |
| Max pressure at stated temp: | 25 bar / 120 °C |
| Max pressure at stated temp: | 25 bar / -20 °C |
| Flange standard: | PJE |
| Pipe connection: | 42,4 mm |
| Flange size for motor: | FT100 |
| Connect code: | P |
| Liquid: | |
| Pumped liquid: | Water |
| Liquid temperature range: | -20 .. 120 °C |
| Selected liquid temperature: | 20 °C |
| Density: | 998.2 kg/m ³ |
| Electrical data: | |
| Motor type: | 80A |
| IE Efficiency class: | IE3 |
| Rated power - P2: | 0.75 kW |
| Power (P2) required by pump: | 0.75 kW |
| Power (P2) required by pump: | 0.75 kW |
| Mains frequency: | 50 Hz |
| Rated voltage: | 3 x 220-240D/380-415Y V |
| Rated current: | 3.30/1.90 A |
| Starting current: | 580-620 % |
| Cos phi - power factor: | 0.81-0.71 |
| Rated speed: | 2840-2870 rpm |
| Efficiency: | IE3 80,7% |
| Motor efficiency at full load: | 80.7 % |
| Motor efficiency at 3/4 load: | 82.7 % |
| Motor efficiency at 1/2 load: | 81.7 % |
| Number of poles: | 2 |





Company name:

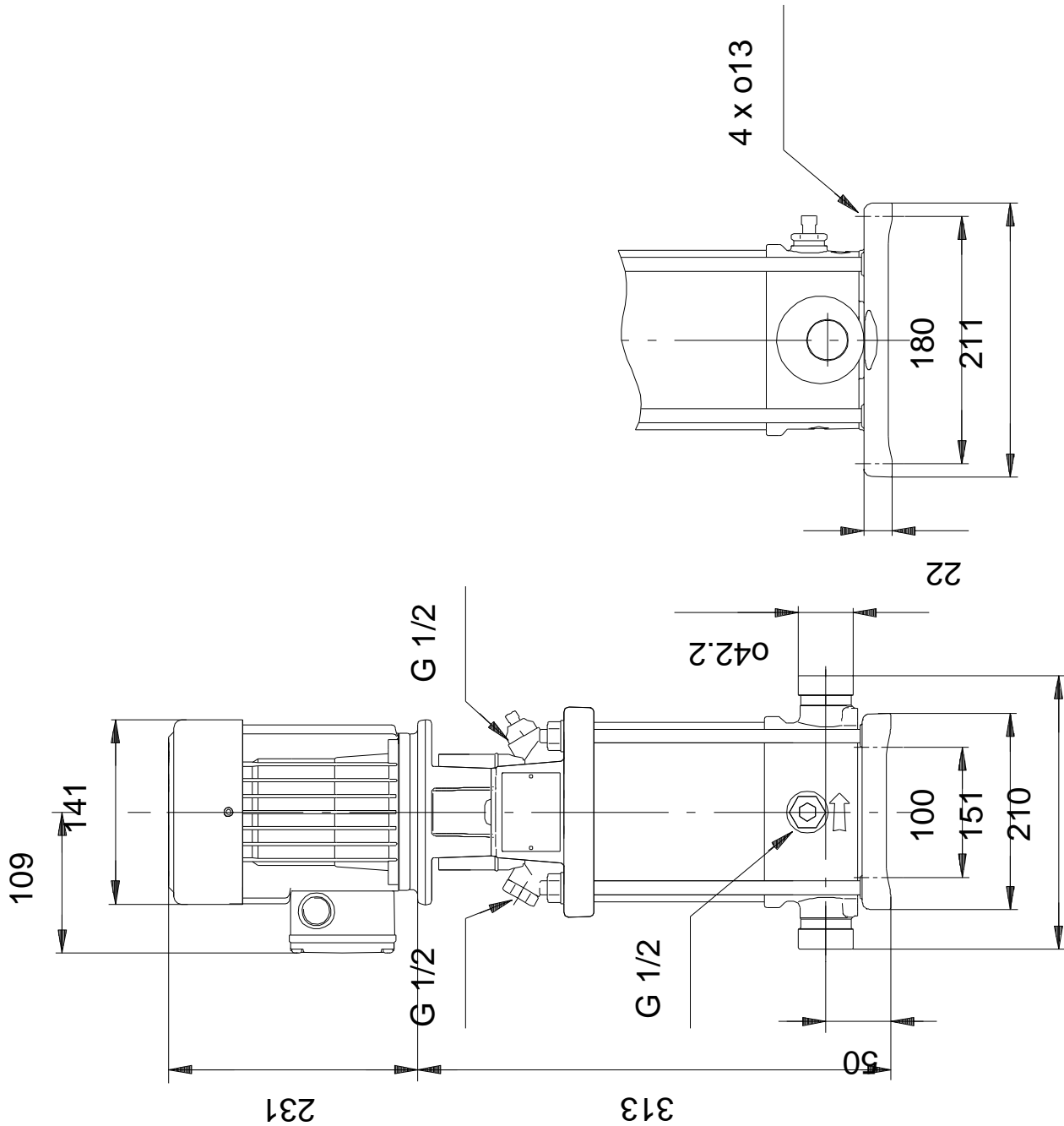
Created by:

Phone:

Date: 19/01/2021

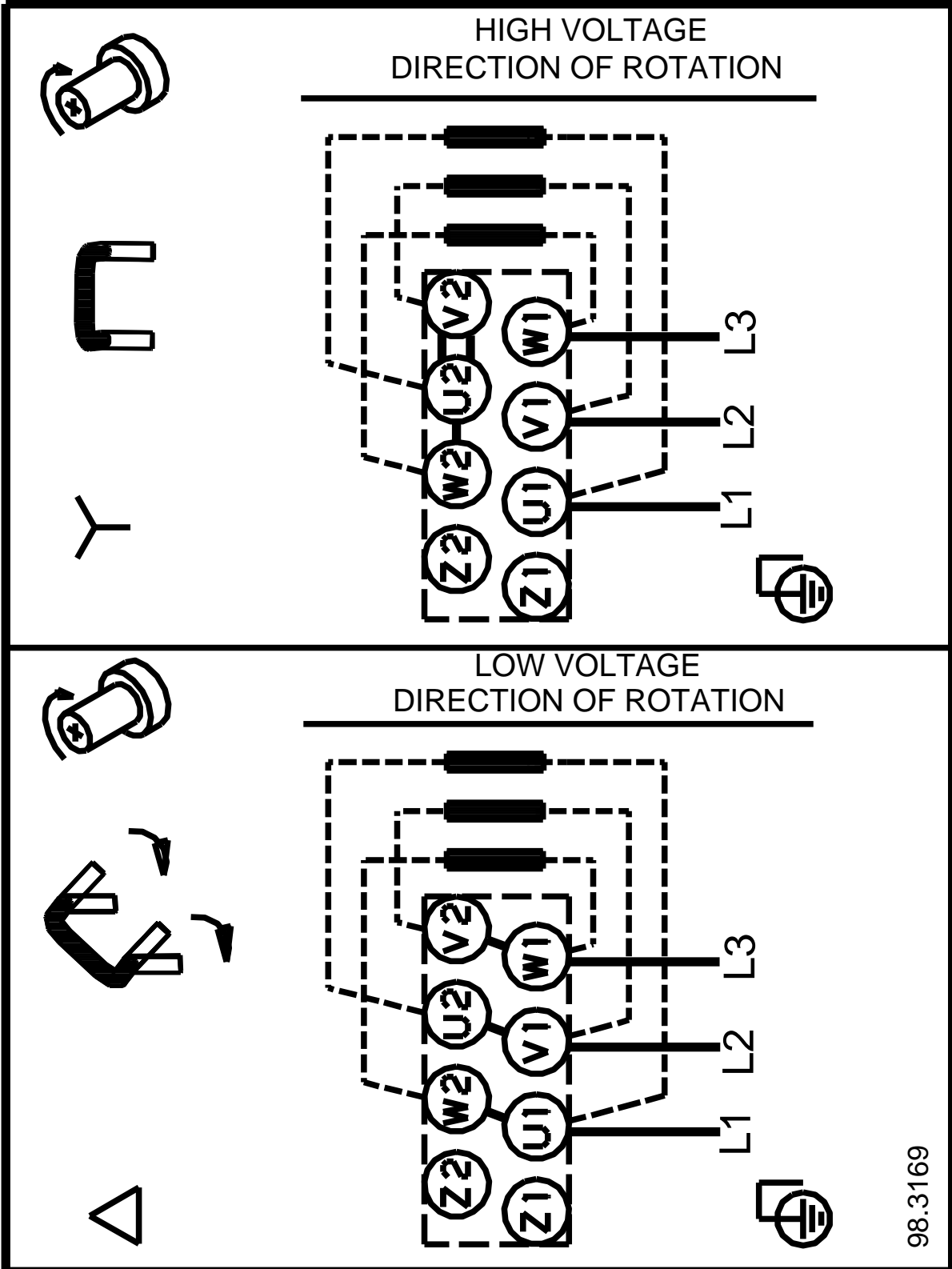
| Description | Value |
|----------------------------------|-----------------|
| Enclosure class (IEC 34-5): | 55 Dust/Jetting |
| Insulation class (IEC 85): | F |
| Motor protec: | NONE |
| Motor No: | 85U05104 |
| Others: | |
| Minimum efficiency index, MEI %: | 0.7 |
| Net weight: | 18.8 kg |
| Gross weight: | 23.8 kg |

96100797 CRT 4-4 A-P-A-E-AUUE 50 Hz



Note! All units are in [mm] unless others are stated.
Disclaimer: This simplified dimensional drawing does not show all details.

96100797 CRT 4-4 A-P-A-E-AUUE 50 Hz



98.3169

Note! All units are in [mm] unless others are stated.