
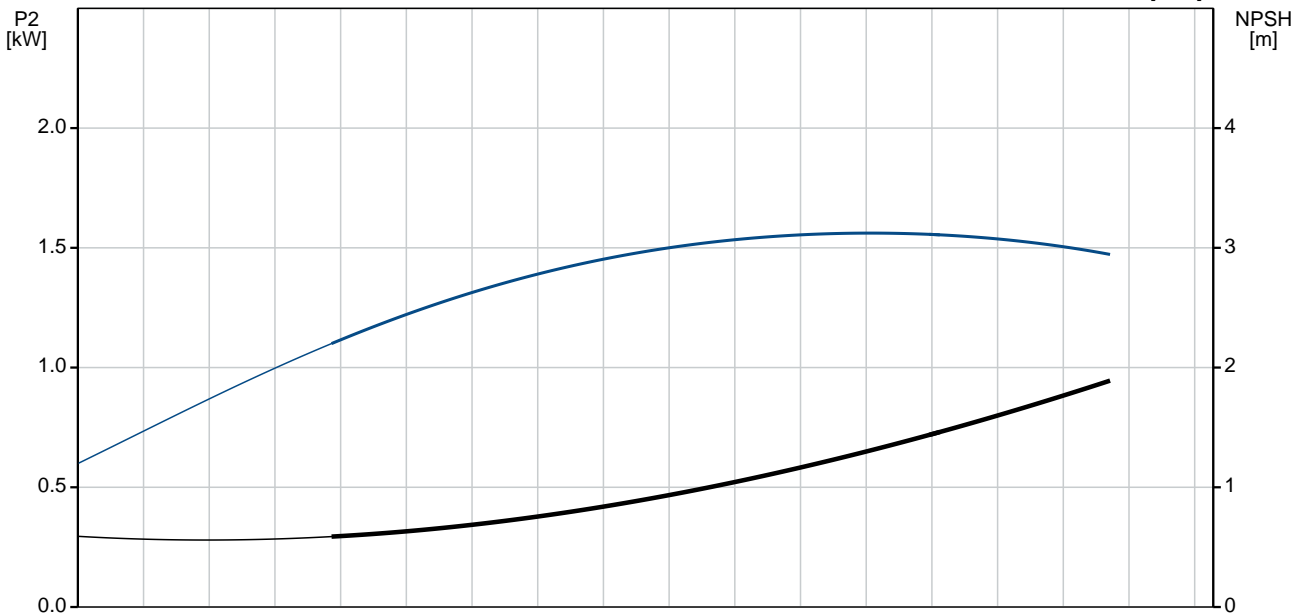
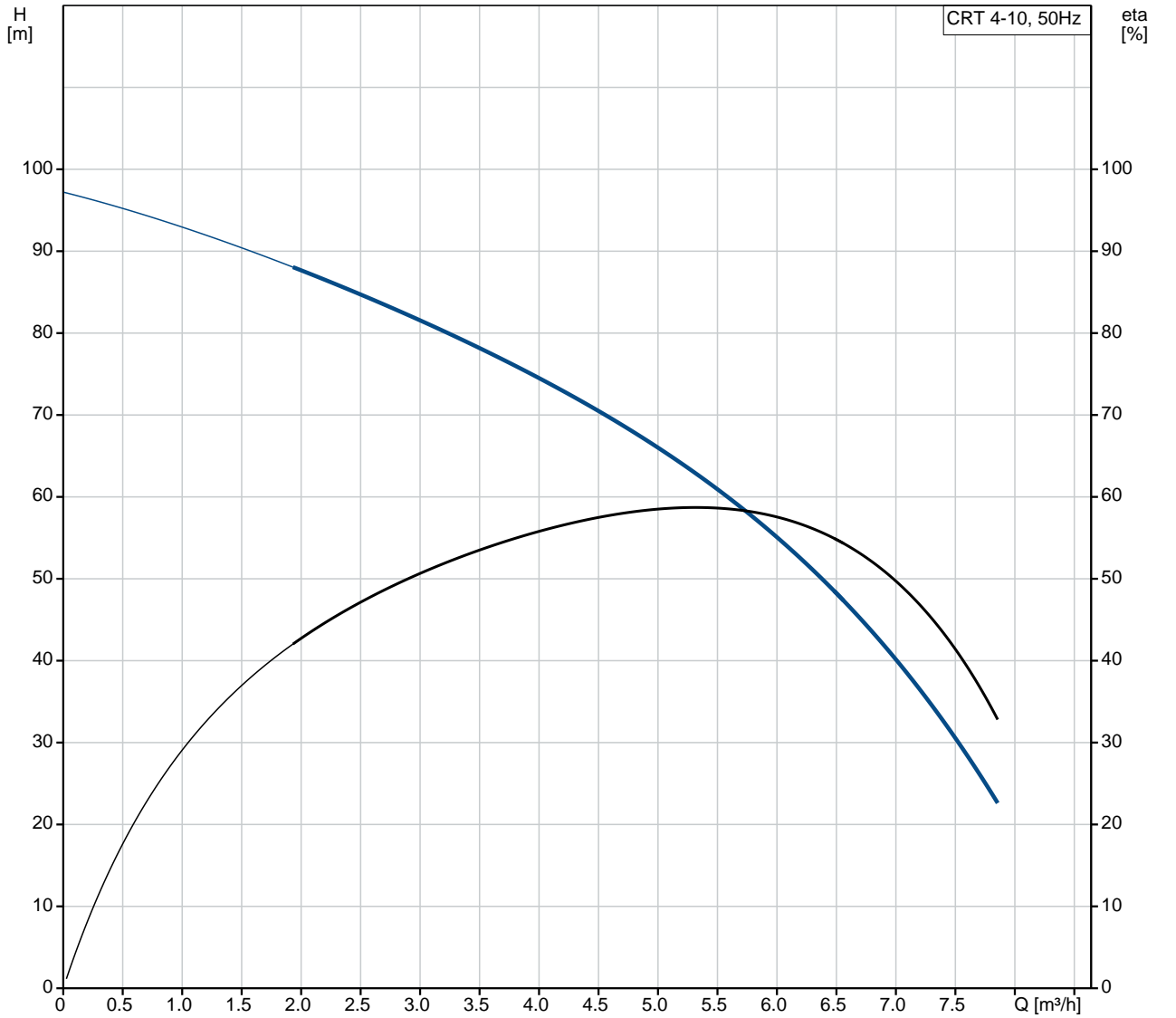


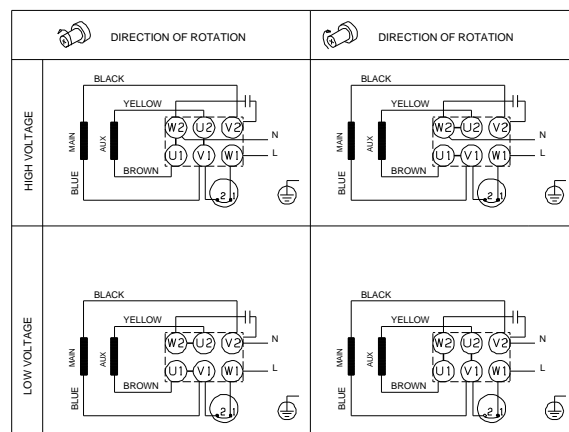
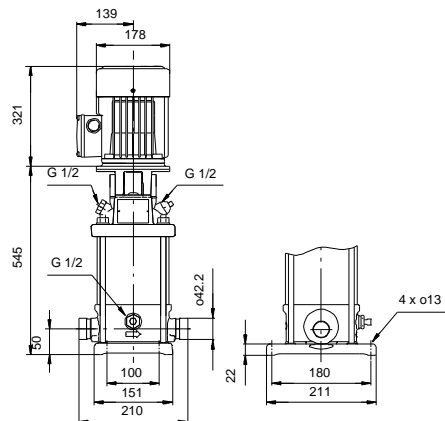
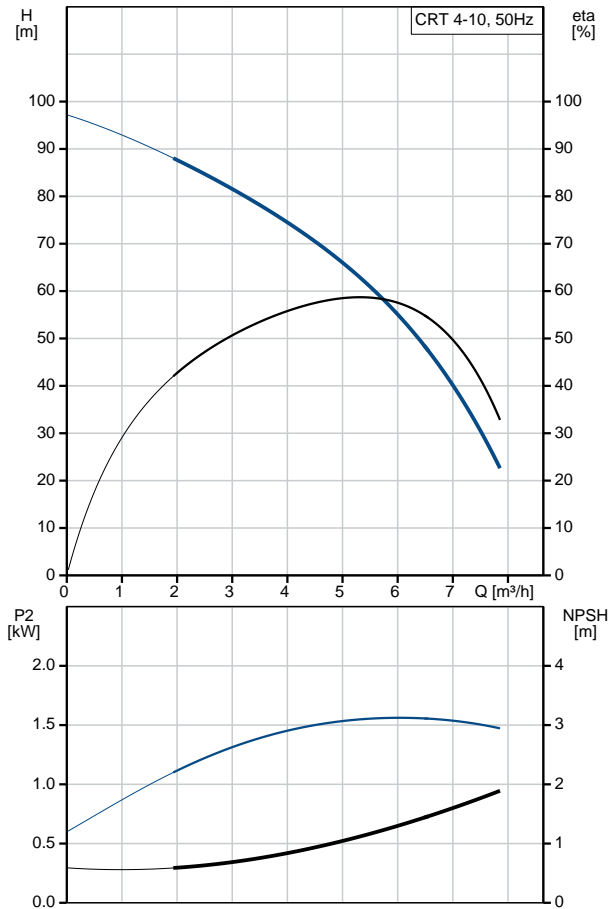
Qty.	Description
1	<p data-bbox="204 342 491 365">CRT 4-10 A-P-A-E-AUUE</p>  <p data-bbox="204 663 469 685">Product No.: 96100772</p> <p data-bbox="204 692 724 777">Vertical, non-self-priming, multistage, in-line, centrifugal pump for installation in pipe systems and mounting on a foundation.</p> <p data-bbox="204 810 679 837">The pump has the following characteristics:</p> <ul data-bbox="240 842 759 869" style="list-style-type: none"> - Impellers, intermediate chambers and outer <p data-bbox="204 871 884 898">Impeller: sleeve are made of Titanium.</p> <p data-bbox="204 900 1129 927">Pump housing: - Pump head cover and base are made of Titanium.</p> <ul data-bbox="240 931 667 958" style="list-style-type: none"> - The shaft seal has assembly length <p data-bbox="204 960 459 987">according to EN 12756.</p> <ul data-bbox="240 992 711 1046" style="list-style-type: none"> - Power transmission is via cast iron split coupling. <p data-bbox="204 1048 925 1106">Flange standard: - Pipework connection is via PJE flanges/couplings.</p> <p data-bbox="204 1137 938 1164">Phase: The motor is a 1-phase AC motor.</p> <p data-bbox="204 1196 277 1223">Liquid:</p> <p data-bbox="204 1227 635 1254">Pumped liquid: Water</p> <p data-bbox="204 1258 705 1285">Liquid temperature range: -20 .. 120 °C</p> <p data-bbox="204 1290 628 1317">Selected liquid temperature: 20 °C</p> <p data-bbox="204 1321 699 1348">Density: 998.2 kg/m³</p> <p data-bbox="204 1379 316 1406">Technical:</p> <p data-bbox="204 1411 820 1438">Pump speed on which pump data are based: 2900 rpm</p> <p data-bbox="204 1442 635 1469">Rated flow: 6 m³/h</p> <p data-bbox="204 1473 641 1500">Rated head: 54.8 m</p> <p data-bbox="204 1505 635 1532">Primary shaft seal: AUUE</p> <p data-bbox="204 1536 641 1563">Approvals on nameplate: CE,TR</p> <p data-bbox="204 1568 762 1594">Curve tolerance: ISO9906:2012 3B</p> <p data-bbox="204 1626 309 1653">Materials:</p> <p data-bbox="204 1657 705 1715">Pump housing: Titanium ASTM B 265</p> <p data-bbox="204 1720 705 1778">Impeller: Titanium ASTM B 265</p> <p data-bbox="204 1783 635 1809">Bush material: NONE</p> <p data-bbox="204 1841 328 1868">Installation:</p> <p data-bbox="204 1872 628 1899">Maximum ambient temperature: 40 °C</p> <p data-bbox="204 1904 730 1962">Max pressure at stated temp: 25 bar / 120 °C 25 bar / -20 °C</p> <p data-bbox="204 1966 612 1993">Flange standard: PJE</p> <p data-bbox="204 1998 660 2024">Pipe connection: 42,4 mm</p> <p data-bbox="204 2029 635 2056">Flange size for motor: FT115</p> <p data-bbox="204 2087 363 2114">Electrical data:</p>

Qty.	Description
	<p>Motor type: 90LC Rated power - P2: 2.2 kW Power (P2) required by pump: 2.2 kW 2.2 kW Mains frequency: 50 Hz Rated voltage: 1 x 220-230/240 V Rated current: 14,0-13,6/12,6 A Starting current: 330 % Cos phi - power factor: 1.00 Rated speed: 2730/2720 rpm Motor efficiency at full load: 75 % Number of poles: 2 Enclosure class (IEC 34-5): 55 Dust/Jetting Insulation class (IEC 85): F Motor No: 85215708</p> <p>Others: Minimum efficiency index, MEI η_{min}: 0.7 Net weight: 34.7 kg Gross weight: 39.7 kg</p>

96100772 CRT 4-10 A-P-A-E-AUUE 50 Hz



Description	Value
General information:	
Product name:	CRT 4-10 A-P-A-E-AUUE
Product No:	96100772
EAN number:	5700395848878
Price:	
Technical:	
Pump speed on which pump data are based:	2900 rpm
Rated flow:	6 m ³ /h
Rated head:	54.8 m
Maximum head:	101 m
Head max:	101 m
Stages:	12
Impellers:	10
Primary shaft seal:	AUUE
Approvals on nameplate:	CE,TR
Curve tolerance:	ISO9906:2012 3B
Pump version:	A
Model:	A
Materials:	
Pump housing:	Titanium
Pump housing:	ASTM B 265
Impeller:	Titanium
Impeller:	ASTM B 265
Material code:	A
Code for rubber:	E
Bush material:	NONE
Installation:	
Maximum ambient temperature:	40 °C
Max pressure at stated temp:	25 bar / 120 °C
Max pressure at stated temp:	25 bar / -20 °C
Flange standard:	PJE
Pipe connection:	42,4 mm
Flange size for motor:	FT115
Connect code:	P
Liquid:	
Pumped liquid:	Water
Liquid temperature range:	-20 .. 120 °C
Selected liquid temperature:	20 °C
Density:	998.2 kg/m ³
Electrical data:	
Motor type:	90LC
Rated power - P2:	2.2 kW
Power (P2) required by pump:	2.2 kW
Power (P2) required by pump:	2.2 kW
Mains frequency:	50 Hz
Rated voltage:	1 x 220-230/240 V
Rated current:	14,0-13,6/12,6 A
Starting current:	330 %
Cos phi - power factor:	1.00
Rated speed:	2730/2720 rpm
Motor efficiency at full load:	75 %
Number of poles:	2
Enclosure class (IEC 34-5):	55 Dust/Jetting
Insulation class (IEC 85):	F
Motor protec:	PTO
Motor No:	85215708
Others:	





Company name:

Created by:

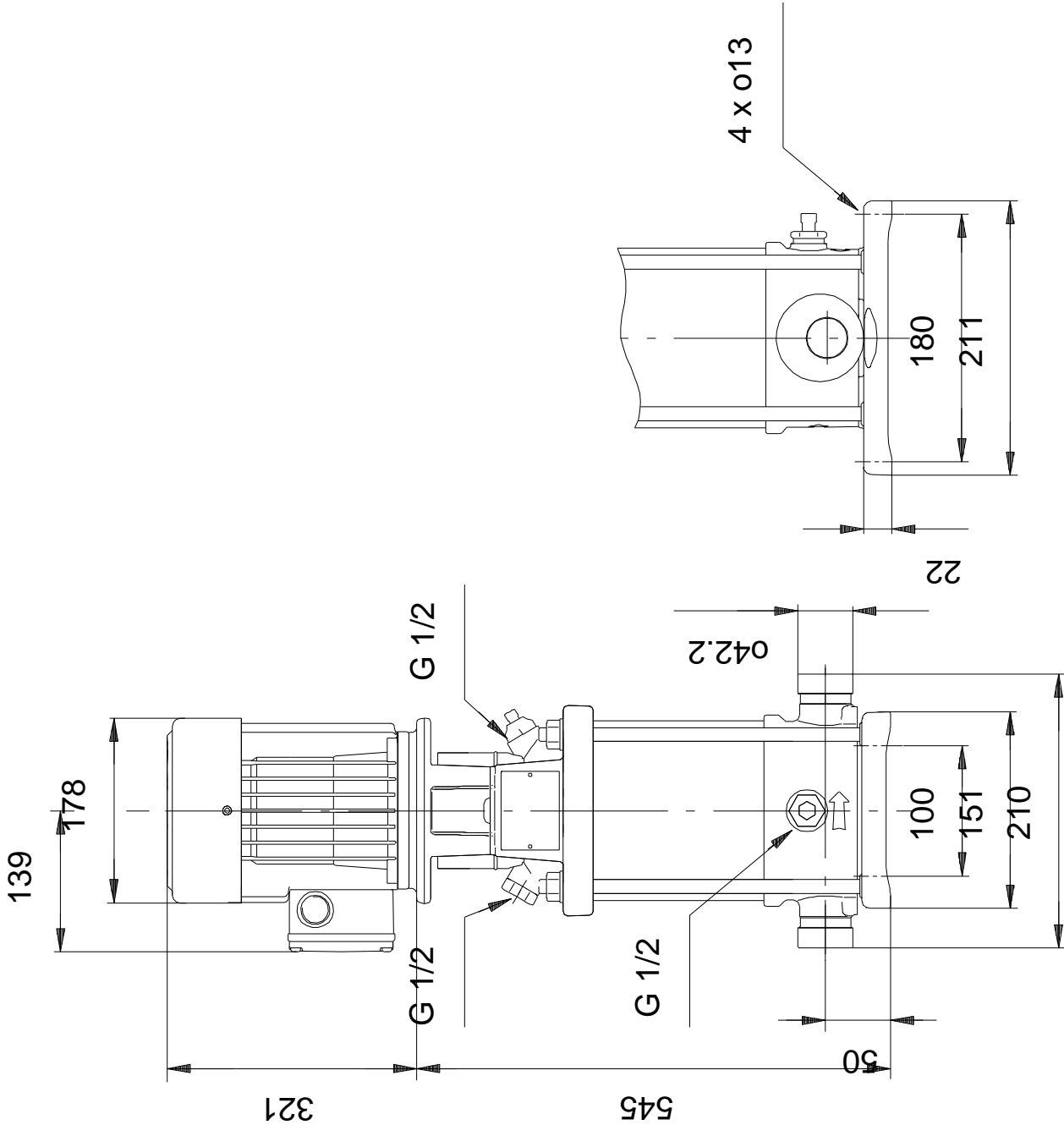
Phone:

Date:

19/01/2021

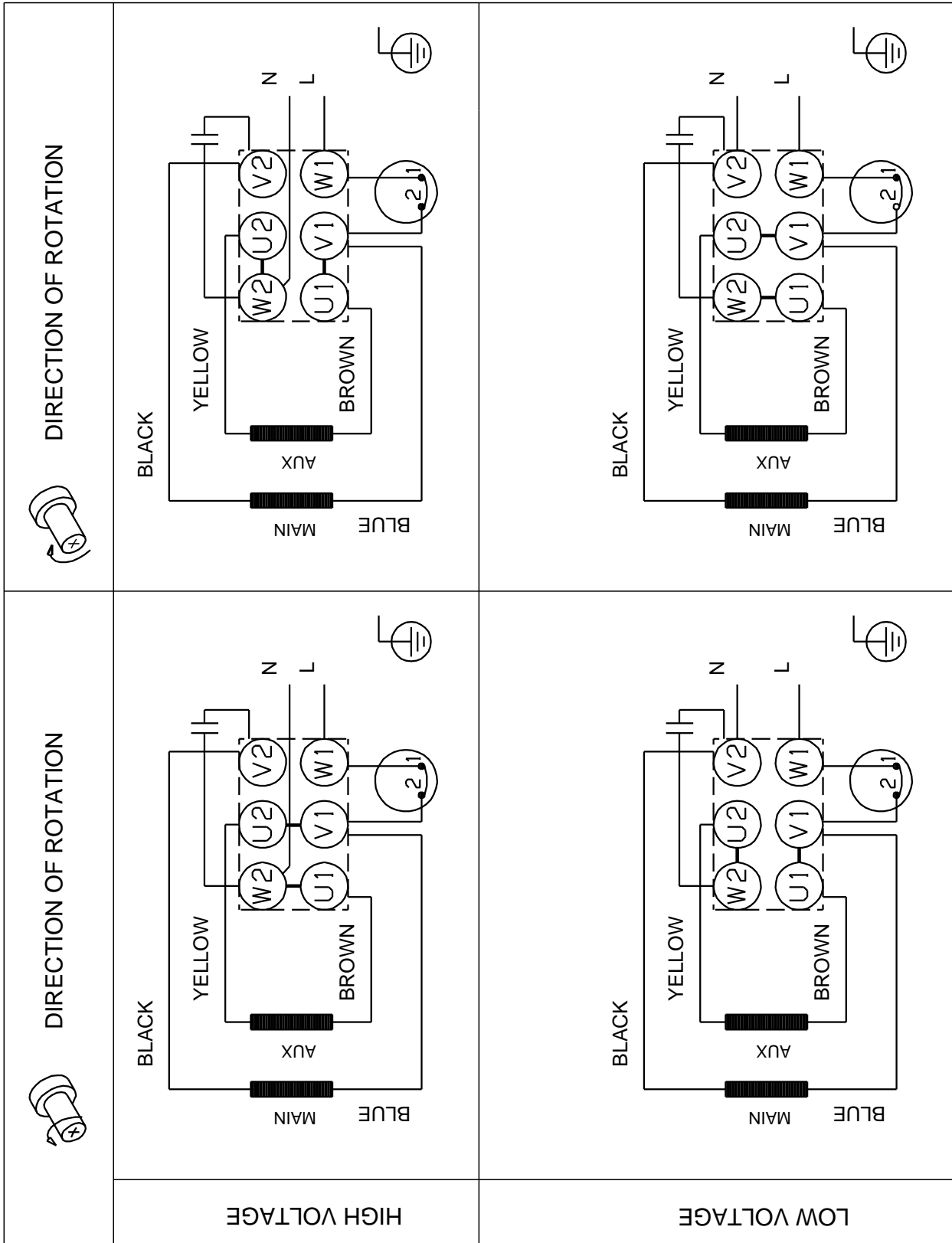
Description	Value
Minimum efficiency index, MEI %:	0.7
Net weight:	34.7 kg
Gross weight:	39.7 kg

96100772 CRT 4-10 A-P-A-E-AUUE 50 Hz



Note! All units are in [mm] unless others are stated.
Disclaimer: This simplified dimensional drawing does not show all details.

96100772 CRT 4-10 A-P-A-E-AUUE 50 Hz



Note! All units are in [mm] unless others are stated.