


Qty.	Description
1	<p data-bbox="199 338 478 369">CRT 4-8 A-P-A-E-AUUE</p>  <p data-bbox="199 660 470 689">Product No.: 96100771</p> <p data-bbox="199 689 726 779">Vertical, non-self-priming, multistage, in-line, centrifugal pump for installation in pipe systems and mounting on a foundation.</p> <p data-bbox="199 808 678 837">The pump has the following characteristics:</p> <ul data-bbox="236 837 758 866" style="list-style-type: none"> - Impellers, intermediate chambers and outer <p data-bbox="199 866 885 896">Impeller: sleeve are made of Titanium.</p> <p data-bbox="199 896 1133 925">Pump housing: - Pump head cover and base are made of Titanium.</p> <ul data-bbox="236 925 670 954" style="list-style-type: none"> - The shaft seal has assembly length <p data-bbox="199 954 462 983">according to EN 12756.</p> <ul data-bbox="236 983 710 1012" style="list-style-type: none"> - Power transmission is via cast iron split <p data-bbox="199 1012 303 1041">coupling.</p> <p data-bbox="199 1041 925 1070">Flange standard: - Pipework connection is via PJE</p> <p data-bbox="199 1070 399 1099">flanges/couplings.</p> <p data-bbox="199 1131 941 1160">Phase: The motor is a 1-phase AC motor.</p> <p data-bbox="199 1191 279 1220">Liquid:</p> <p data-bbox="199 1220 630 1249">Pumped liquid: Water</p> <p data-bbox="199 1249 710 1279">Liquid temperature range: -20 .. 120 °C</p> <p data-bbox="199 1279 630 1308">Selected liquid temperature: 20 °C</p> <p data-bbox="199 1308 702 1337">Density: 998.2 kg/m³</p> <p data-bbox="199 1368 319 1397">Technical:</p> <p data-bbox="199 1397 821 1426">Pump speed on which pump data are based: 2900 rpm</p> <p data-bbox="199 1426 638 1456">Rated flow: 6 m³/h</p> <p data-bbox="199 1456 646 1485">Rated head: 42.8 m</p> <p data-bbox="199 1485 638 1514">Primary shaft seal: AUUE</p> <p data-bbox="199 1514 638 1543">Approvals on nameplate: CE,TR</p> <p data-bbox="199 1543 766 1572">Curve tolerance: ISO9906:2012 3B</p> <p data-bbox="199 1603 311 1632">Materials:</p> <p data-bbox="199 1632 710 1662">Pump housing: Titanium</p> <p data-bbox="558 1662 710 1691">ASTM B 265</p> <p data-bbox="199 1691 710 1720">Impeller: Titanium</p> <p data-bbox="558 1720 710 1749">ASTM B 265</p> <p data-bbox="199 1749 638 1778">Bush material: NONE</p> <p data-bbox="199 1809 327 1839">Installation:</p> <p data-bbox="199 1839 630 1868">Maximum ambient temperature: 40 °C</p> <p data-bbox="199 1868 734 1897">Max pressure at stated temp: 25 bar / 120 °C</p> <p data-bbox="558 1897 734 1926">25 bar / -20 °C</p> <p data-bbox="199 1926 614 1955">Flange standard: PJE</p> <p data-bbox="199 1955 662 1984">Pipe connection: 42,4 mm</p> <p data-bbox="199 1984 638 2013">Flange size for motor: FT115</p> <p data-bbox="199 2045 367 2074">Electrical data:</p>



Company name:

Created by:

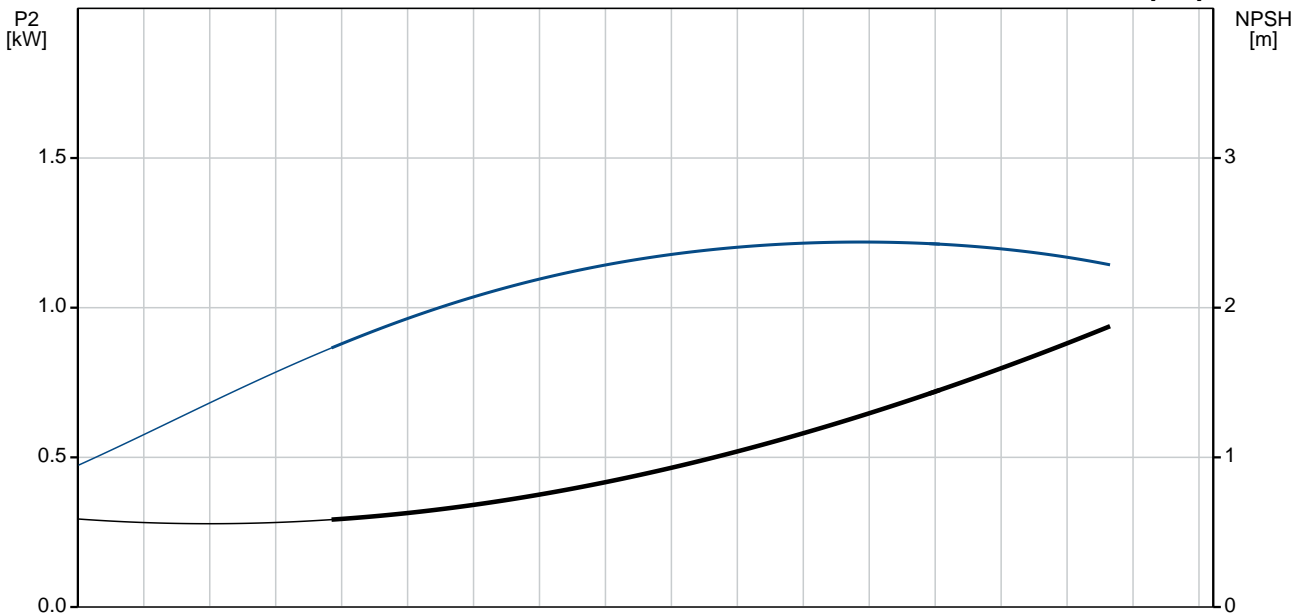
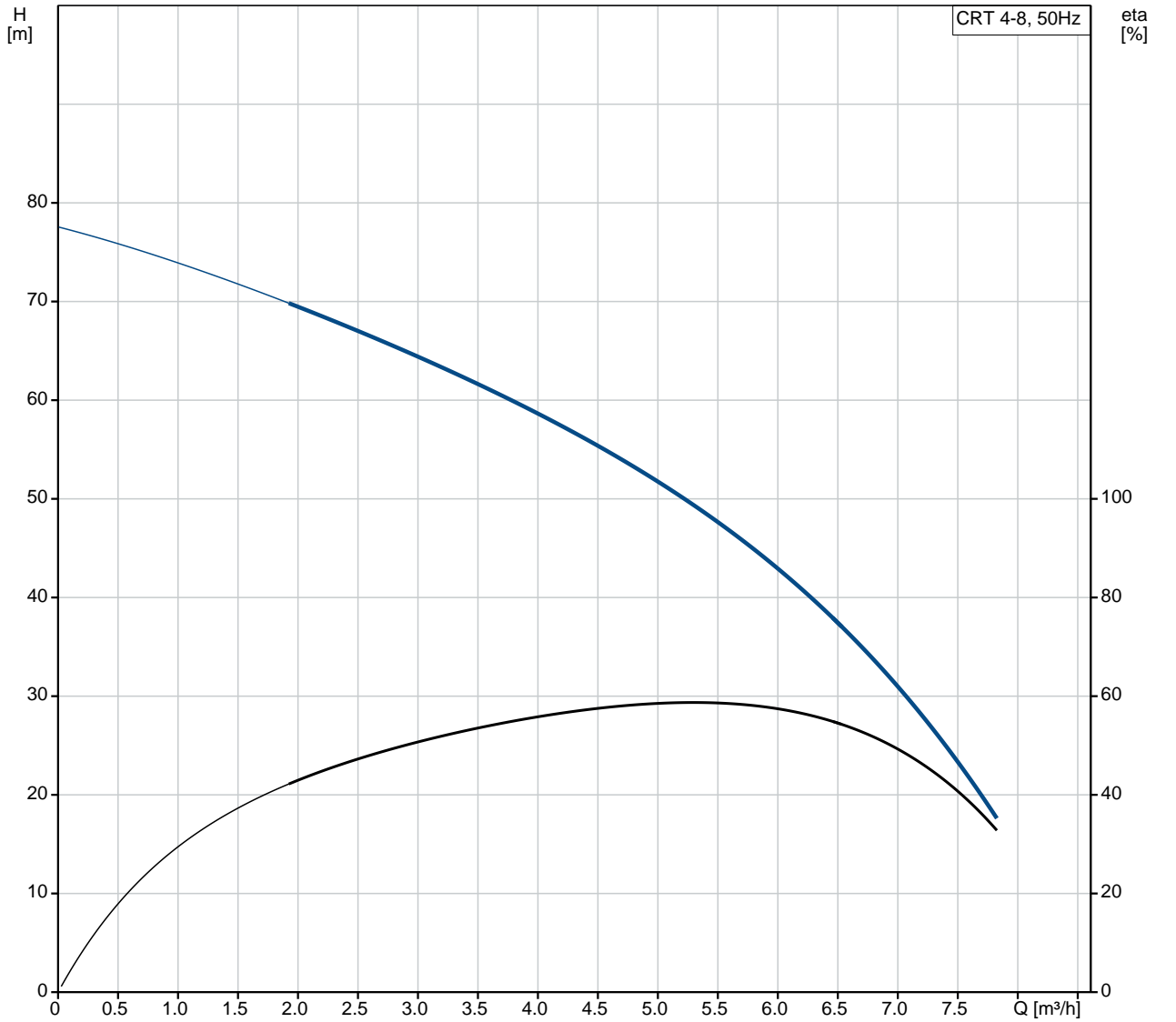
Phone:

Date:

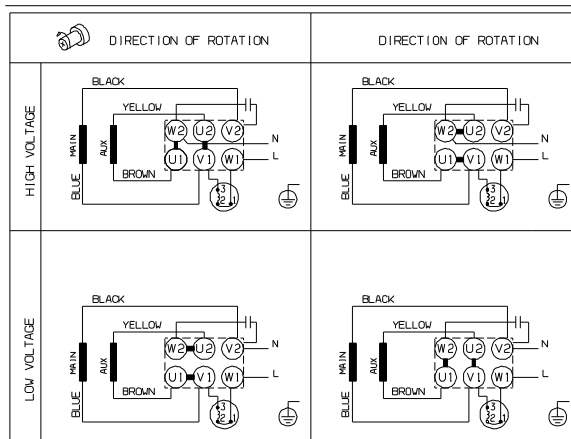
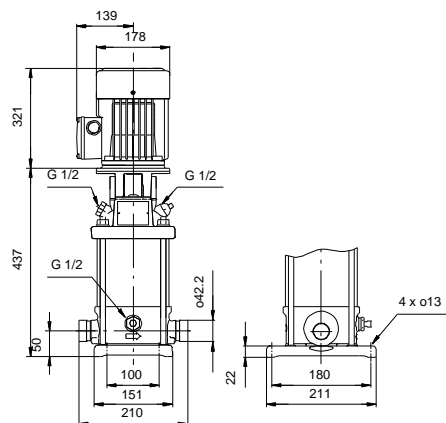
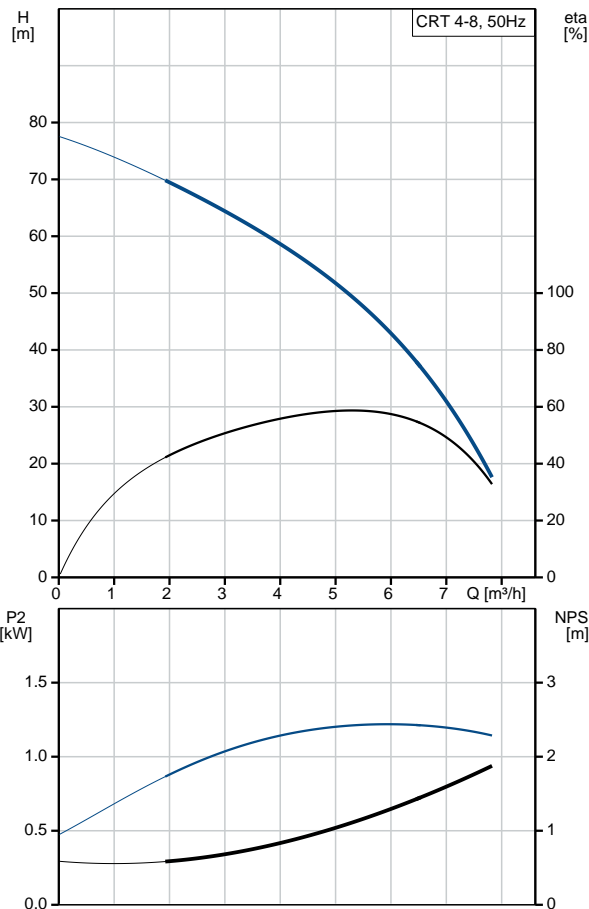
19/01/2021

Qty.	Description
	<p>Motor type: 90LB Rated power - P2: 1.5 kW Power (P2) required by pump: 1.5 kW 1.5 kW Mains frequency: 50 Hz Rated voltage: 1 x 220-230/240 V Rated current: 9.90/8.90 A Starting current: 390 % Cos phi - power factor: 0.98/0.99 Rated speed: 2750/2740 rpm Motor efficiency at full load: 72-70 % Number of poles: 2 Enclosure class (IEC 34-5): 55 Dust/Jetting Insulation class (IEC 85): F Motor No: 85215706</p> <p>Others: Minimum efficiency index, MEI η_{min}: 0.7 Net weight: 30 kg Gross weight: 35 kg</p>

96100771 CRT 4-8 A-P-A-E-AUUE 50 Hz



Description	Value
General information:	
Product name:	CRT 4-8 A-P-A-E-AUUE
Product No:	96100771
EAN number:	5700395848861
Price:	
Technical:	
Pump speed on which pump data are based:	2900 rpm
Rated flow:	6 m ³ /h
Rated head:	42.8 m
Maximum head:	80.9 m
Head max:	80.9 m
Stages:	8
Impellers:	8
Primary shaft seal:	AUUE
Approvals on nameplate:	CE, TR
Curve tolerance:	ISO9906:2012 3B
Pump version:	A
Model:	A
Materials:	
Pump housing:	Titanium
Pump housing:	ASTM B 265
Impeller:	Titanium
Impeller:	ASTM B 265
Material code:	A
Code for rubber:	E
Bush material:	NONE
Installation:	
Maximum ambient temperature:	40 °C
Max pressure at stated temp:	25 bar / 120 °C
Max pressure at stated temp:	25 bar / -20 °C
Flange standard:	PJE
Pipe connection:	42,4 mm
Flange size for motor:	FT115
Connect code:	P
Liquid:	
Pumped liquid:	Water
Liquid temperature range:	-20 .. 120 °C
Selected liquid temperature:	20 °C
Density:	998.2 kg/m ³
Electrical data:	
Motor type:	90LB
Rated power - P2:	1.5 kW
Power (P2) required by pump:	1.5 kW
Power (P2) required by pump:	1.5 kW
Mains frequency:	50 Hz
Rated voltage:	1 x 220-230/240 V
Rated current:	9.90/8.90 A
Starting current:	390 %
Cos phi - power factor:	0.98/0.99
Rated speed:	2750/2740 rpm
Motor efficiency at full load:	72-70 %
Number of poles:	2
Enclosure class (IEC 34-5):	55 Dust/Jetting
Insulation class (IEC 85):	F
Motor protec:	PTO
Motor No:	85215706
Others:	





Company name:

Created by:

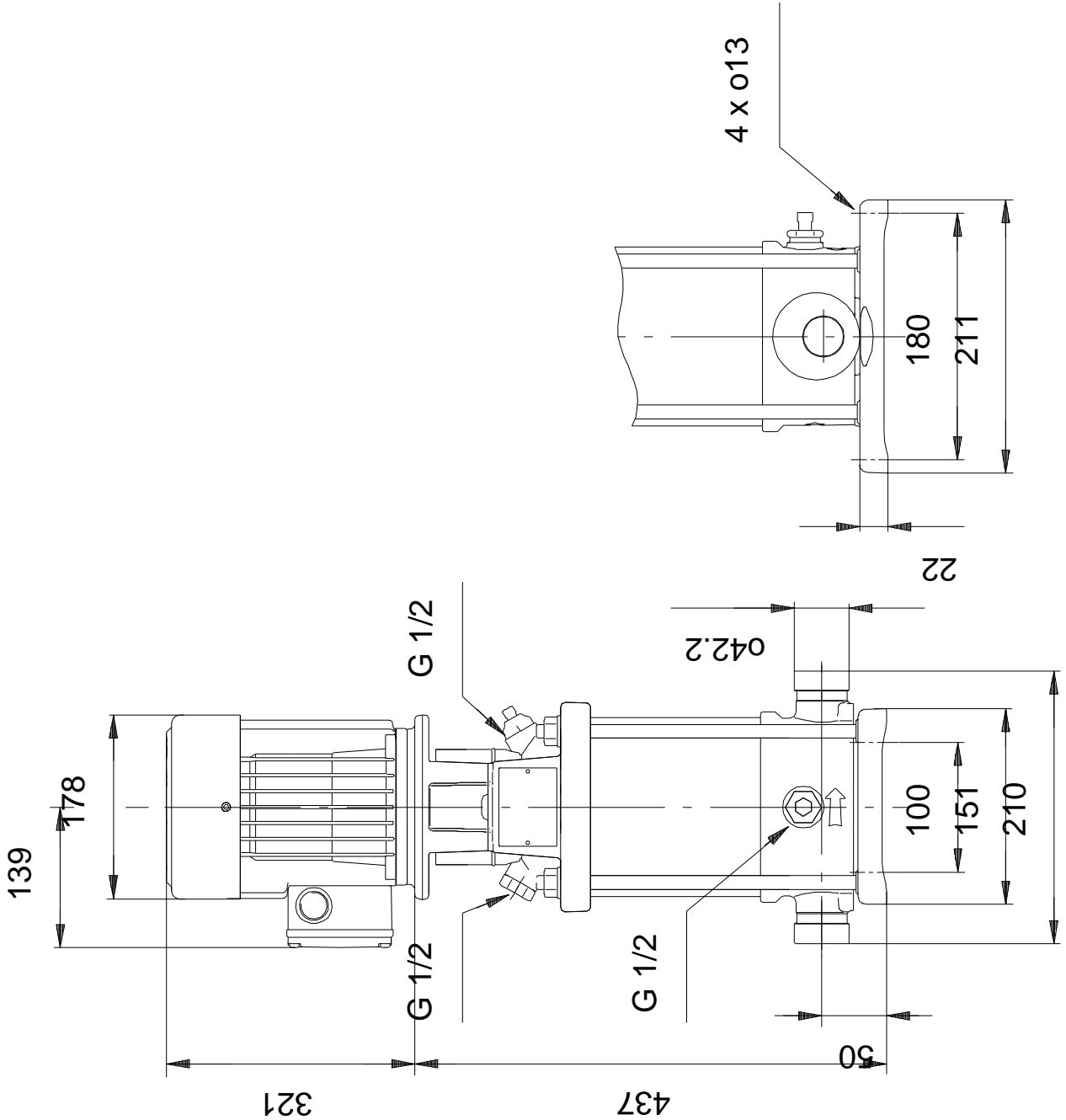
Phone:

Date:

19/01/2021

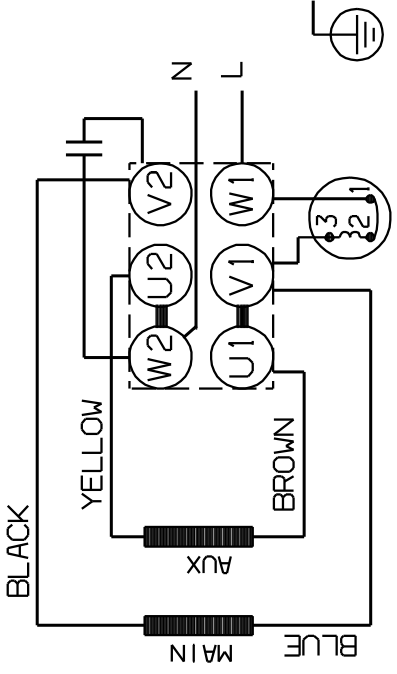
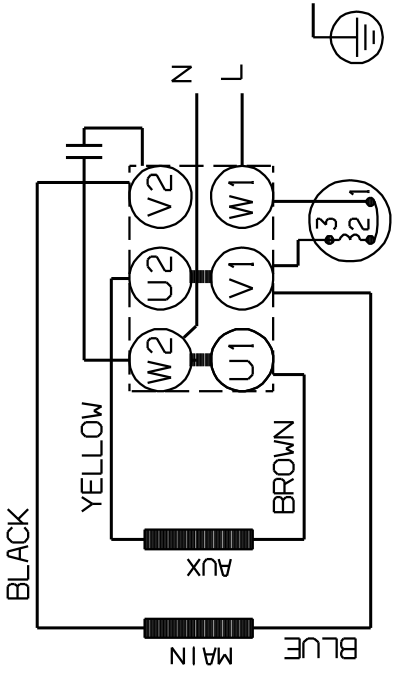
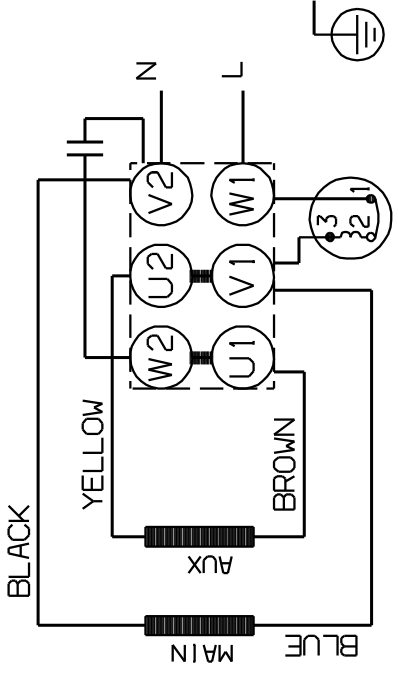
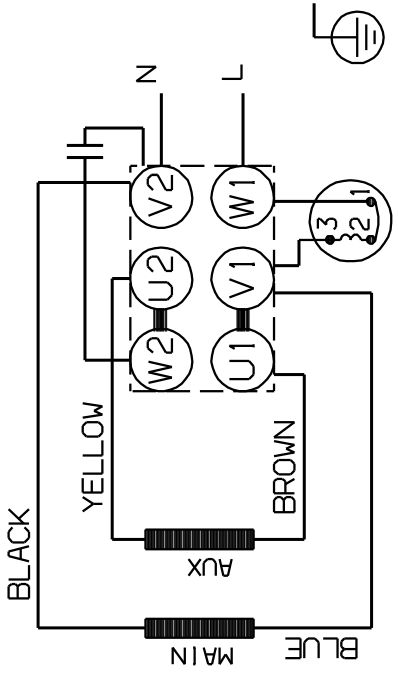
Description	Value
Minimum efficiency index, MEI %:	0.7
Net weight:	30 kg
Gross weight:	35 kg

96100771 CRT 4-8 A-P-A-E-AUUE 50 Hz



Note! All units are in [mm] unless others are stated.
Disclaimer: This simplified dimensional drawing does not show all details.

96100771 CRT 4-8 A-P-A-E-AUUE 50 Hz

DIRECTION OF ROTATION	
DIRECTION OF ROTATION	
	
	

Note! All units are in [mm] unless others are stated.