

Qty. Description

1 CRT 4-1 A-P-A-E-AUUE



Product No.: [96100764](#)

Vertical, non-self-priming, multistage, in-line, centrifugal pump for installation in pipe systems and mounting on a foundation.

The pump has the following characteristics:

- Impellers, intermediate chambers and outer

Impeller: sleeve are made of Titanium.

Pump housing: - Pump head cover and base are made of Titanium.

- The shaft seal has assembly length

according to EN 12756.

- Power transmission is via cast iron split coupling.

Flange standard: - Pipework connection is via PJE flanges/couplings.

Phase: The motor is a 1-phase AC motor.

Liquid:

Pumped liquid: Water

Liquid temperature range: -20 .. 120 °C

Selected liquid temperature: 20 °C

Density: 998.2 kg/m³

Technical:

Pump speed on which pump data are based: 2900 rpm

Rated flow: 6 m³/h

Rated head: 5.4 m

Primary shaft seal: AUUE

Approvals on nameplate: CE,TR

Curve tolerance: ISO9906:2012 3B

Materials:

Pump housing: Titanium
ASTM B 265

Impeller: Titanium
ASTM B 265

Bush material: NONE

Installation:

Maximum ambient temperature: 40 °C

Max pressure at stated temp: 25 bar / 120 °C

25 bar / -20 °C

Flange standard: PJE

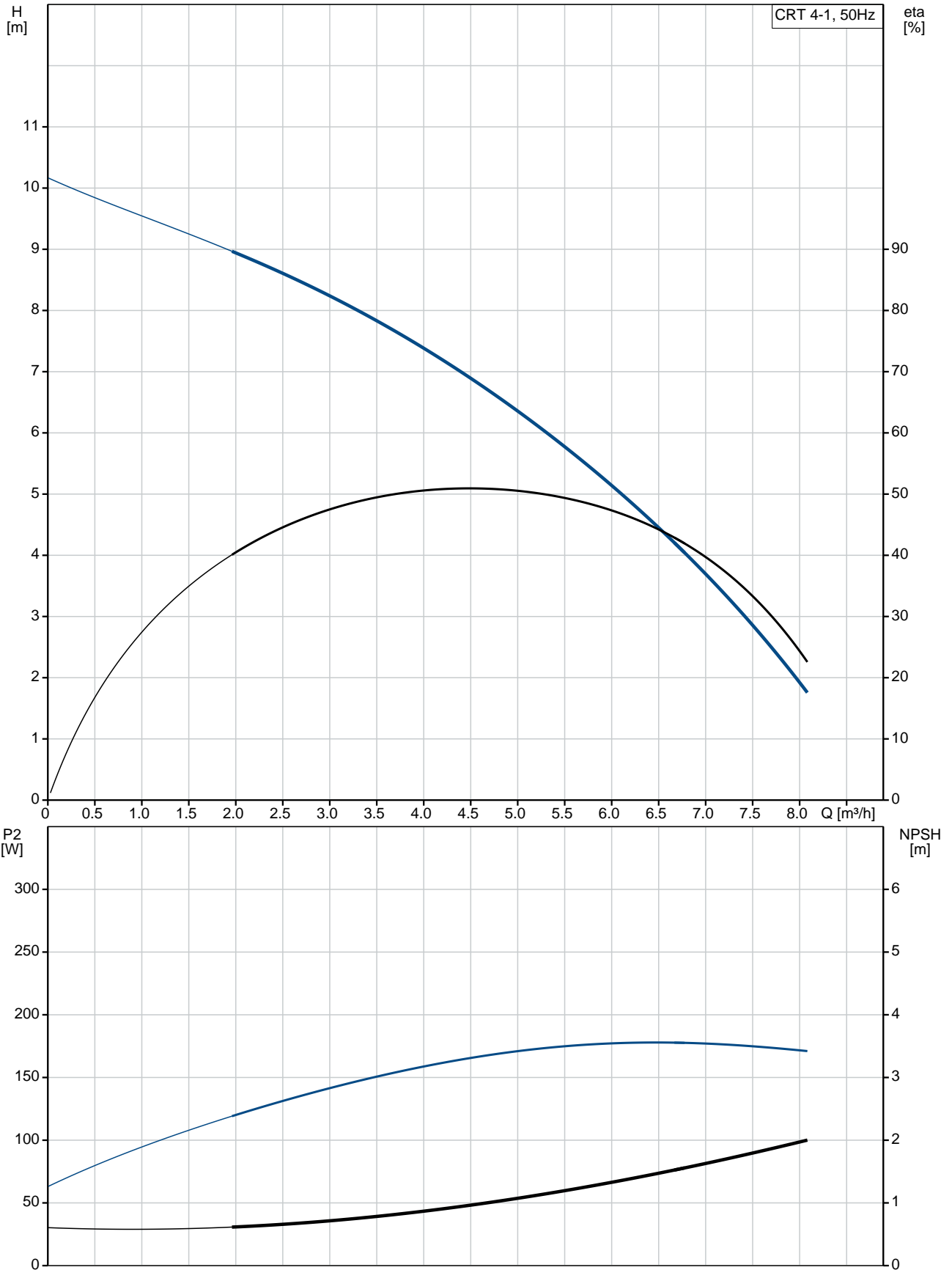
Pipe connection: 42,4 mm

Flange size for motor: FT85

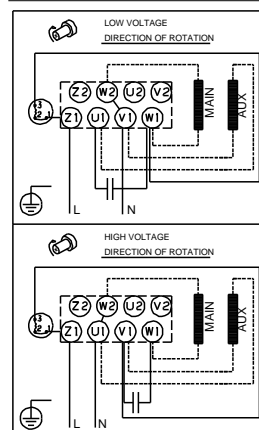
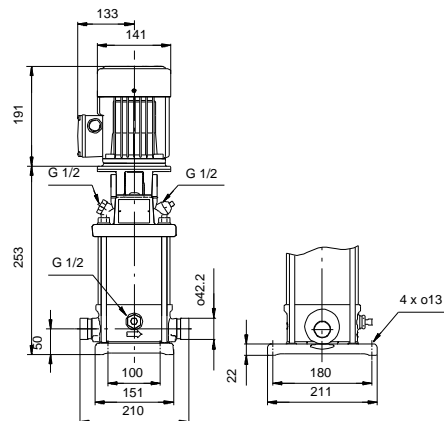
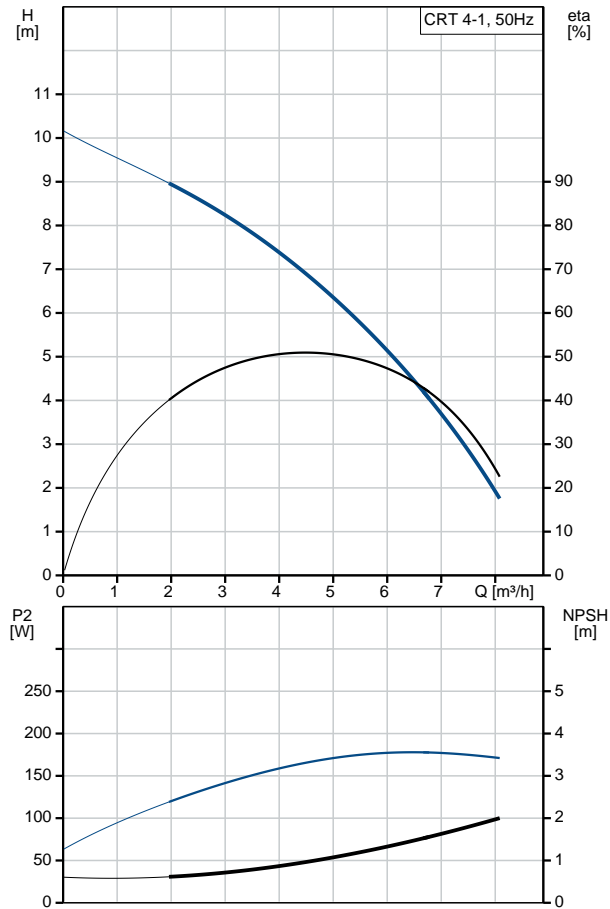
Electrical data:

Qty.	Description
	Motor type: 71B
	Rated power - P2: 0.37 kW
	Power (P2) required by pump: 0.37 kW
	0.37 kW
	Mains frequency: 50 Hz
	Rated voltage: 1 x 220-230/240 V
	Rated current: 2.95/2.70 A
	Starting current: 280 %
	Cos phi - power factor: 0.99
	Rated speed: 2770 rpm
	Motor efficiency at full load: 60.0-56.0 %
	Number of poles: 2
	Enclosure class (IEC 34-5): 55 Dust/Jetting
	Insulation class (IEC 85): F
	Motor No: 85215102
	Others:
	Minimum efficiency index, MEI η_{min} : 0.7
	Net weight: 14.5 kg
	Gross weight: 19.5 kg

96100764 CRT 4-1 A-P-A-E-AUUE 50 Hz



Description	Value
General information:	
Product name:	CRT 4-1 A-P-A-E-AUUE
Product No:	96100764
EAN number:	5700395848595
Price:	
Technical:	
Pump speed on which pump data are based:	2900 rpm
Rated flow:	6 m ³ /h
Rated head:	5.4 m
Maximum head:	10 m
Head max:	10 m
Stages:	2
Impellers:	1
Primary shaft seal:	AUUE
Approvals on nameplate:	CE,TR
Curve tolerance:	ISO9906:2012 3B
Pump version:	A
Model:	A
Materials:	
Pump housing:	Titanium
Pump housing:	ASTM B 265
Impeller:	Titanium
Impeller:	ASTM B 265
Material code:	A
Code for rubber:	E
Bush material:	NONE
Installation:	
Maximum ambient temperature:	40 °C
Max pressure at stated temp:	25 bar / 120 °C
Max pressure at stated temp:	25 bar / -20 °C
Flange standard:	PJE
Pipe connection:	42,4 mm
Flange size for motor:	FT85
Connect code:	P
Liquid:	
Pumped liquid:	Water
Liquid temperature range:	-20 .. 120 °C
Selected liquid temperature:	20 °C
Density:	998.2 kg/m ³
Electrical data:	
Motor type:	71B
Rated power - P2:	0.37 kW
Power (P2) required by pump:	0.37 kW
Power (P2) required by pump:	0.37 kW
Mains frequency:	50 Hz
Rated voltage:	1 x 220-230/240 V
Rated current:	2.95/2.70 A
Starting current:	280 %
Cos phi - power factor:	0.99
Rated speed:	2770 rpm
Motor efficiency at full load:	60.0-56.0 %
Number of poles:	2
Enclosure class (IEC 34-5):	55 Dust/Jetting
Insulation class (IEC 85):	F
Motor protec:	PTO
Motor No:	85215102
Others:	





Company name:

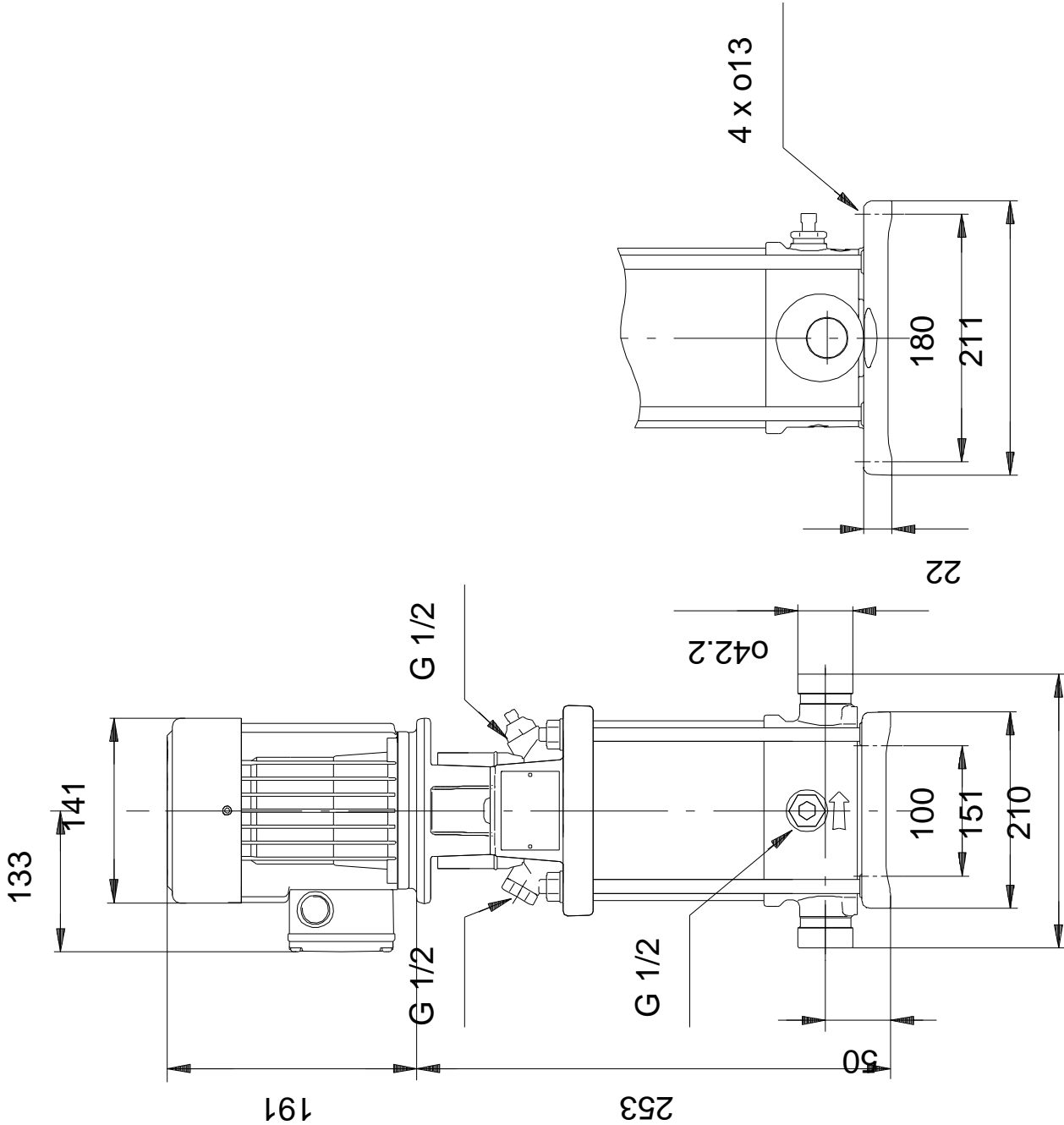
Created by:

Phone:

Date: 19/01/2021

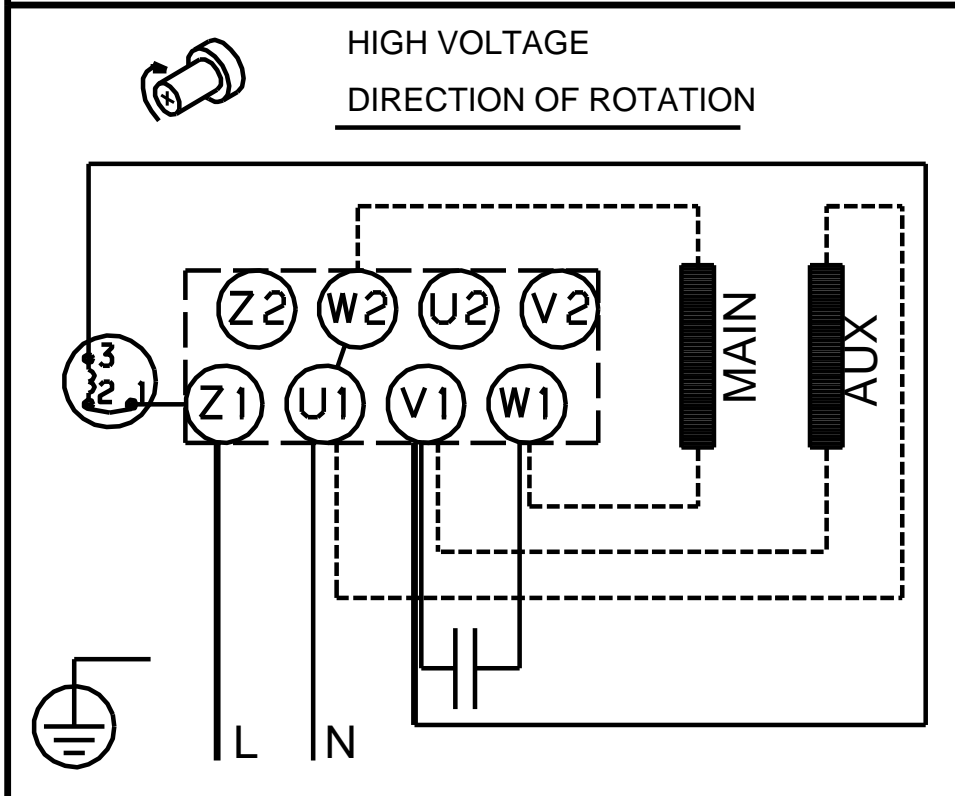
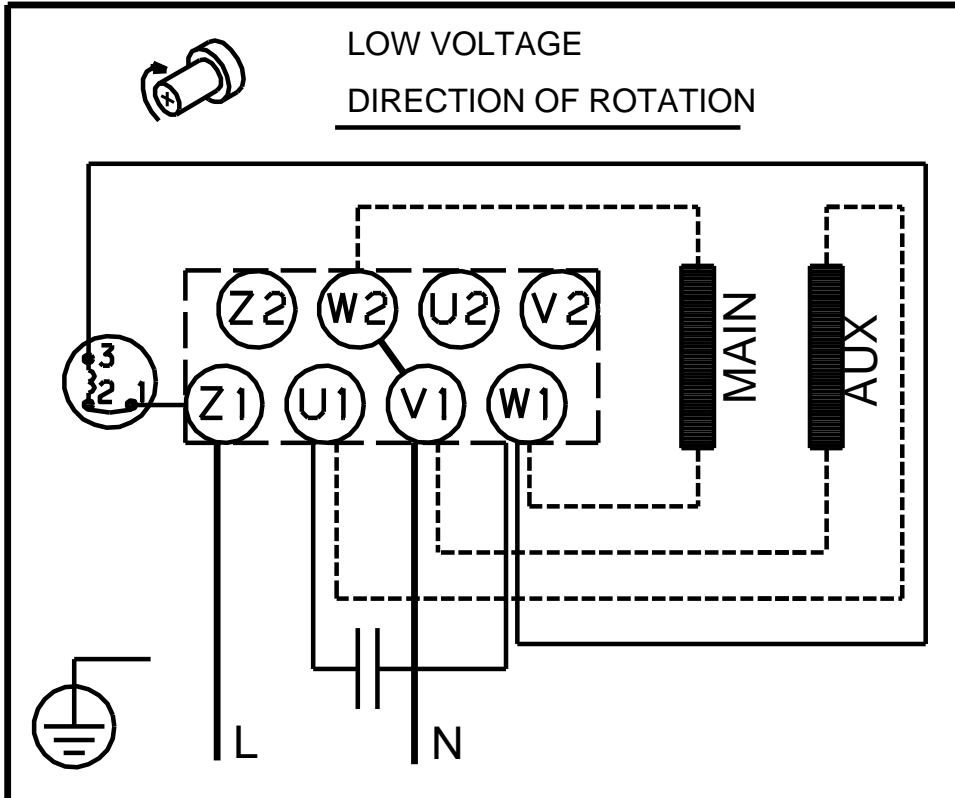
Description	Value
Minimum efficiency index, MEI %:	0.7
Net weight:	14.5 kg
Gross weight:	19.5 kg

96100764 CRT 4-1 A-P-A-E-AUUE 50 Hz



Note! All units are in [mm] unless others are stated.
Disclaimer: This simplified dimensional drawing does not show all details.

96100764 CRT 4-1 A-P-A-E-AUUE 50 Hz



Note! All units are in [mm] unless others are stated.