
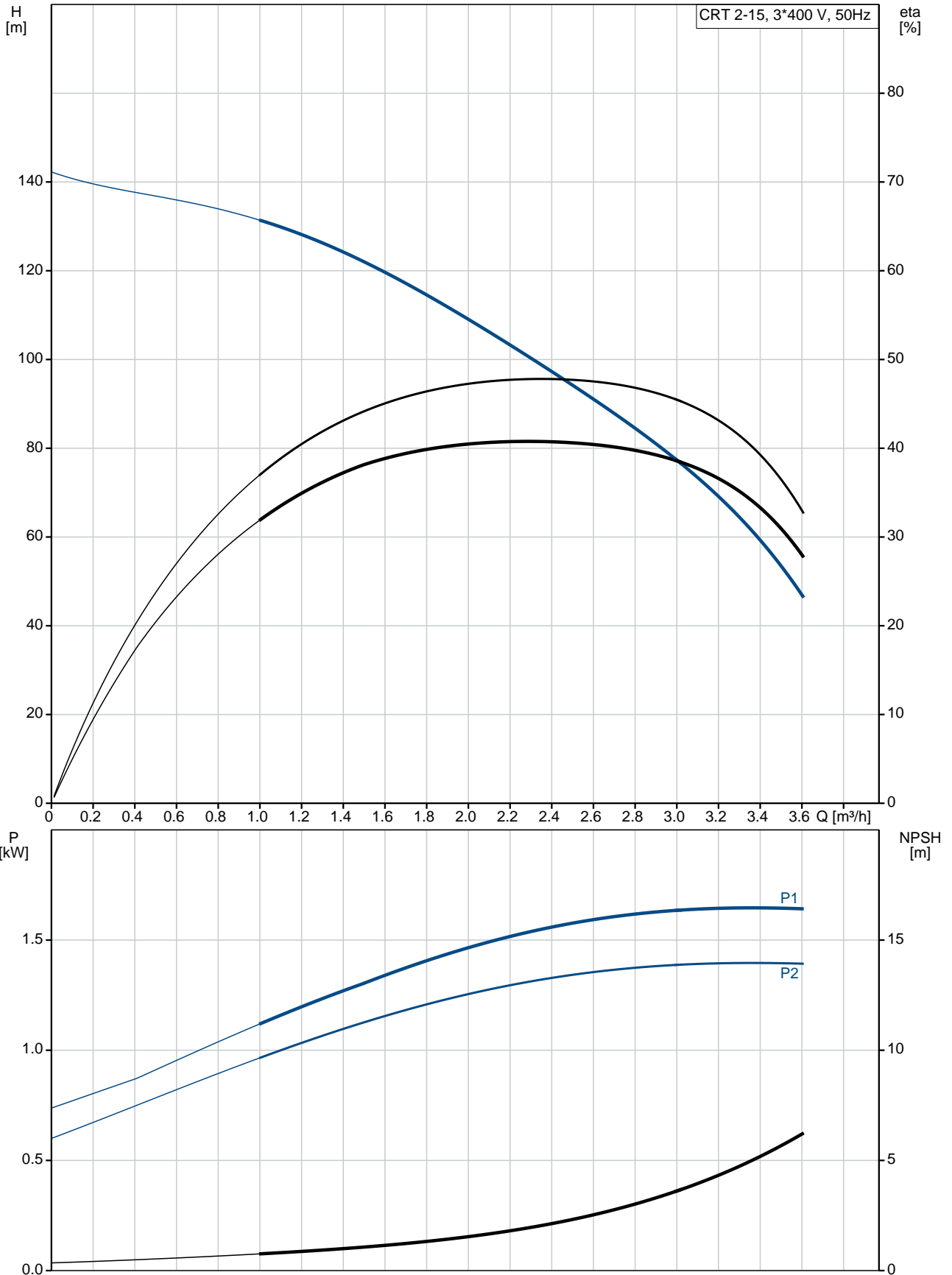


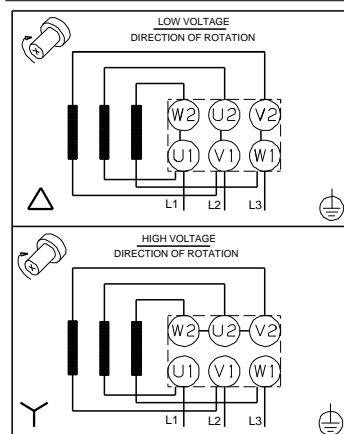
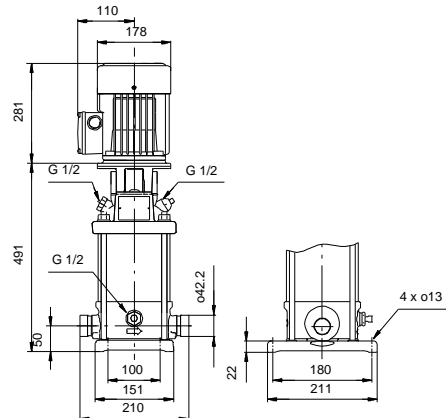
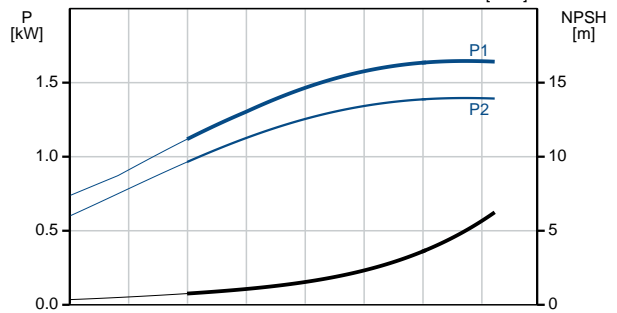
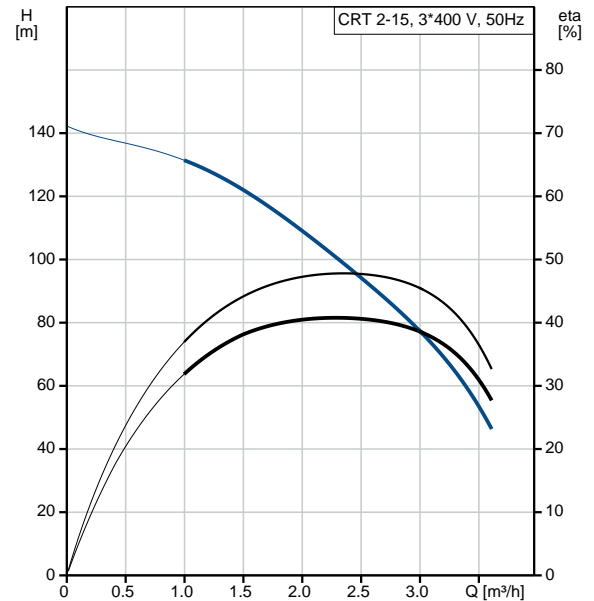
Qty.	Description
1	<p data-bbox="199 340 486 362">CRT 2-15 A-P-A-E-AUUE</p>  <p data-bbox="199 660 470 683">Product No.: 96100310</p> <p data-bbox="199 689 726 772">Vertical, non-self-priming, multistage, in-line, centrifugal pump for installation in pipe systems and mounting on a foundation.</p> <p data-bbox="199 806 678 828">The pump has the following characteristics:</p> <ul data-bbox="239 840 758 862" style="list-style-type: none"> - Impellers, intermediate chambers and outer <p data-bbox="199 869 885 891">Impeller: sleeve are made of Titanium.</p> <p data-bbox="199 898 1133 920">Pump housing: - Pump head cover and base are made of Titanium.</p> <ul data-bbox="239 927 670 949" style="list-style-type: none"> - The shaft seal has assembly length <p data-bbox="199 956 462 978">according to EN 12756.</p> <ul data-bbox="239 985 710 1008" style="list-style-type: none"> - Power transmission is via cast iron split <p data-bbox="199 1014 303 1037">coupling.</p> <p data-bbox="199 1043 925 1066">Flange standard: - Pipework connection is via PJE</p> <p data-bbox="199 1072 399 1095">flanges/couplings.</p> <p data-bbox="199 1128 941 1151">Phase: The motor is a 3-phase AC motor.</p> <p data-bbox="199 1193 279 1216">Liquid:</p> <p data-bbox="199 1223 630 1245">Pumped liquid: Water</p> <p data-bbox="199 1252 710 1274">Liquid temperature range: -20 .. 120 °C</p> <p data-bbox="199 1281 630 1303">Selected liquid temperature: 20 °C</p> <p data-bbox="199 1310 702 1332">Density: 998.2 kg/m³</p> <p data-bbox="199 1366 319 1388">Technical:</p> <p data-bbox="199 1395 821 1417">Pump speed on which pump data are based: 2900 rpm</p> <p data-bbox="199 1424 662 1447">Rated flow: 2.5 m³/h</p> <p data-bbox="199 1453 646 1476">Rated head: 83.1 m</p> <p data-bbox="199 1482 638 1505">Primary shaft seal: AUUE</p> <p data-bbox="199 1512 638 1534">Approvals on nameplate: CE,TR</p> <p data-bbox="199 1541 766 1563">Curve tolerance: ISO9906:2012 3B</p> <p data-bbox="199 1597 311 1619">Materials:</p> <p data-bbox="199 1626 710 1648">Pump housing: Titanium</p> <p data-bbox="566 1655 710 1677">ASTM B 265</p> <p data-bbox="199 1684 710 1706">Impeller: Titanium</p> <p data-bbox="566 1713 710 1736">ASTM B 265</p> <p data-bbox="199 1742 638 1765">Bush material: NONE</p> <p data-bbox="199 1798 327 1821">Installation:</p> <p data-bbox="199 1827 630 1850">Maximum ambient temperature: 60 °C</p> <p data-bbox="199 1856 734 1879">Max pressure at stated temp: 25 bar / 120 °C</p> <p data-bbox="566 1886 734 1908">25 bar / -20 °C</p> <p data-bbox="199 1915 614 1937">Flange standard: PJE</p> <p data-bbox="199 1944 662 1966">Pipe connection: 42,4 mm</p> <p data-bbox="199 1973 638 1995">Flange size for motor: FT115</p> <p data-bbox="199 2029 367 2051">Electrical data:</p>

Qty.	Description
	<p>Motor type: 90SD</p> <p>IE Efficiency class: IE3</p> <p>Rated power - P2: 1.5 kW</p> <p>Power (P2) required by pump: 1.5 kW</p> <p>Mains frequency: 50 Hz</p> <p>Rated voltage: 3 x 220-240D/380-415Y V</p> <p>Rated current: 5.70/3.30 A</p> <p>Starting current: 750-820 %</p> <p>Cos phi - power factor: 0.84-0.78</p> <p>Rated speed: 2890-2910 rpm</p> <p>Efficiency: IE3 84,2%</p> <p>Motor efficiency at full load: 84.2-84.2 %</p> <p>Motor efficiency at 3/4 load: 86.4 %</p> <p>Motor efficiency at 1/2 load: 86.0 %</p> <p>Number of poles: 2</p> <p>Enclosure class (IEC 34-5): 55 Dust/Jetting</p> <p>Insulation class (IEC 85): F</p> <p>Motor No: 85U01906</p> <p>Others:</p> <p>Minimum efficiency index, MEI $\hat{\alpha}\%$: 0.7</p> <p>Net weight: 31.2 kg</p> <p>Gross weight: 36.2 kg</p>

96100310 CRT 2-15 A-P-A-E-AUUE 50 Hz



Description	Value
General information:	
Product name:	CRT 2-15 A-P-A-E-AUUE
Product No:	96100310
EAN number:	5700395842814
Price:	
Technical:	
Pump speed on which pump data are based:	2900 rpm
Rated flow:	2.5 m ³ /h
Rated head:	83.1 m
Maximum head:	139 m
Head max:	139 m
Stages:	15
Impellers:	15
Primary shaft seal:	AUUE
Approvals on nameplate:	CE, TR
Curve tolerance:	ISO9906:2012 3B
Pump version:	A
Model:	A
Materials:	
Pump housing:	Titanium
Pump housing:	ASTM B 265
Impeller:	Titanium
Impeller:	ASTM B 265
Material code:	A
Code for rubber:	E
Bush material:	NONE
Installation:	
Maximum ambient temperature:	60 °C
Max pressure at stated temp:	25 bar / 120 °C
Max pressure at stated temp:	25 bar / -20 °C
Flange standard:	PJE
Pipe connection:	42,4 mm
Flange size for motor:	FT115
Connect code:	P
Liquid:	
Pumped liquid:	Water
Liquid temperature range:	-20 .. 120 °C
Selected liquid temperature:	20 °C
Density:	998.2 kg/m ³
Electrical data:	
Motor type:	90SD
IE Efficiency class:	IE3
Rated power - P2:	1.5 kW
Power (P2) required by pump:	1.5 kW
Power (P2) required by pump:	1.5 kW
Mains frequency:	50 Hz
Rated voltage:	3 x 220-240D/380-415V V
Rated current:	5.70/3.30 A
Starting current:	750-820 %
Cos phi - power factor:	0.84-0.78
Rated speed:	2890-2910 rpm
Efficiency:	IE3 84,2%
Motor efficiency at full load:	84.2-84.2 %
Motor efficiency at 3/4 load:	86.4 %
Motor efficiency at 1/2 load:	86.0 %
Number of poles:	2





Company name:

Created by:

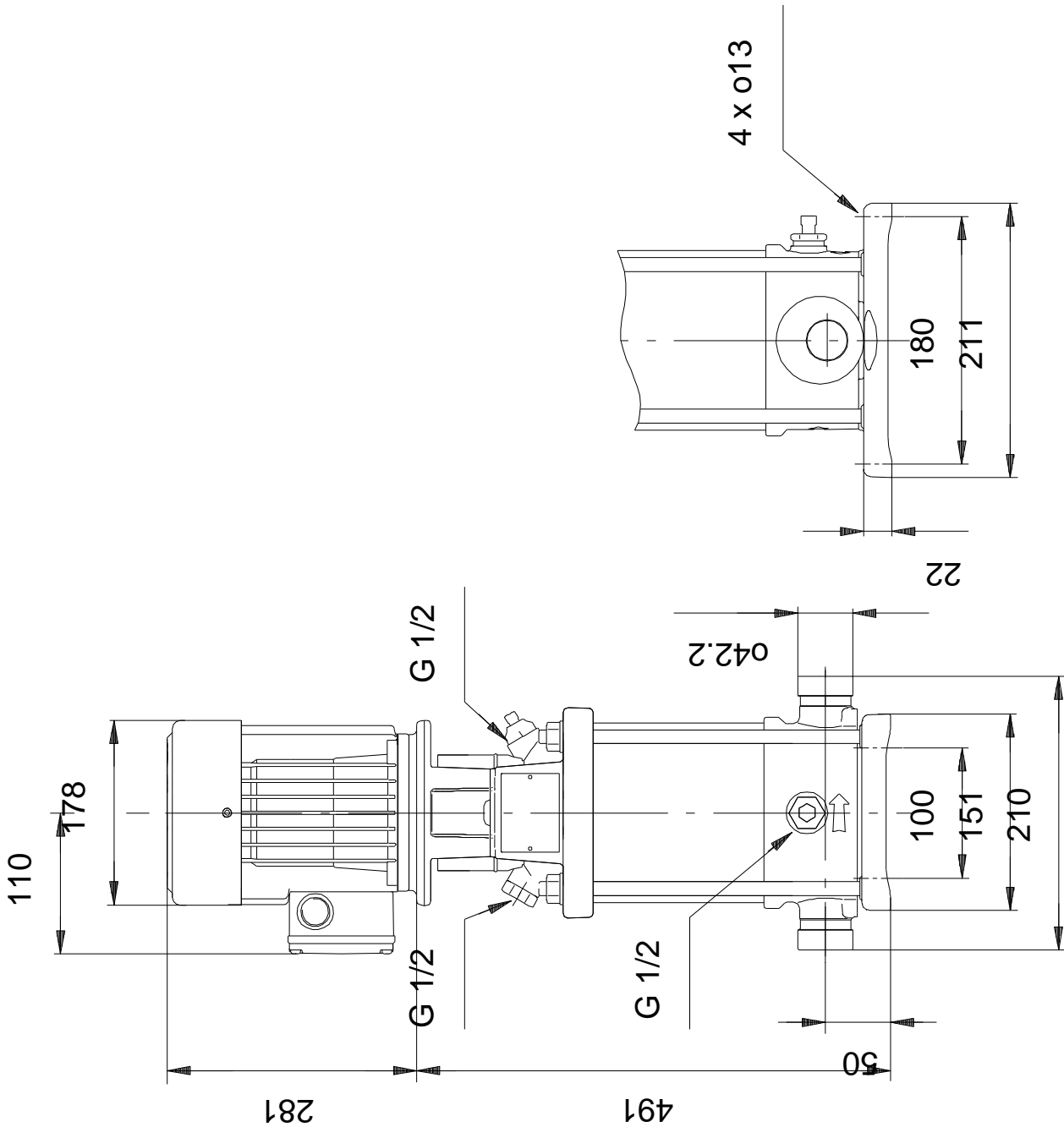
Phone:

Date:

19/01/2021

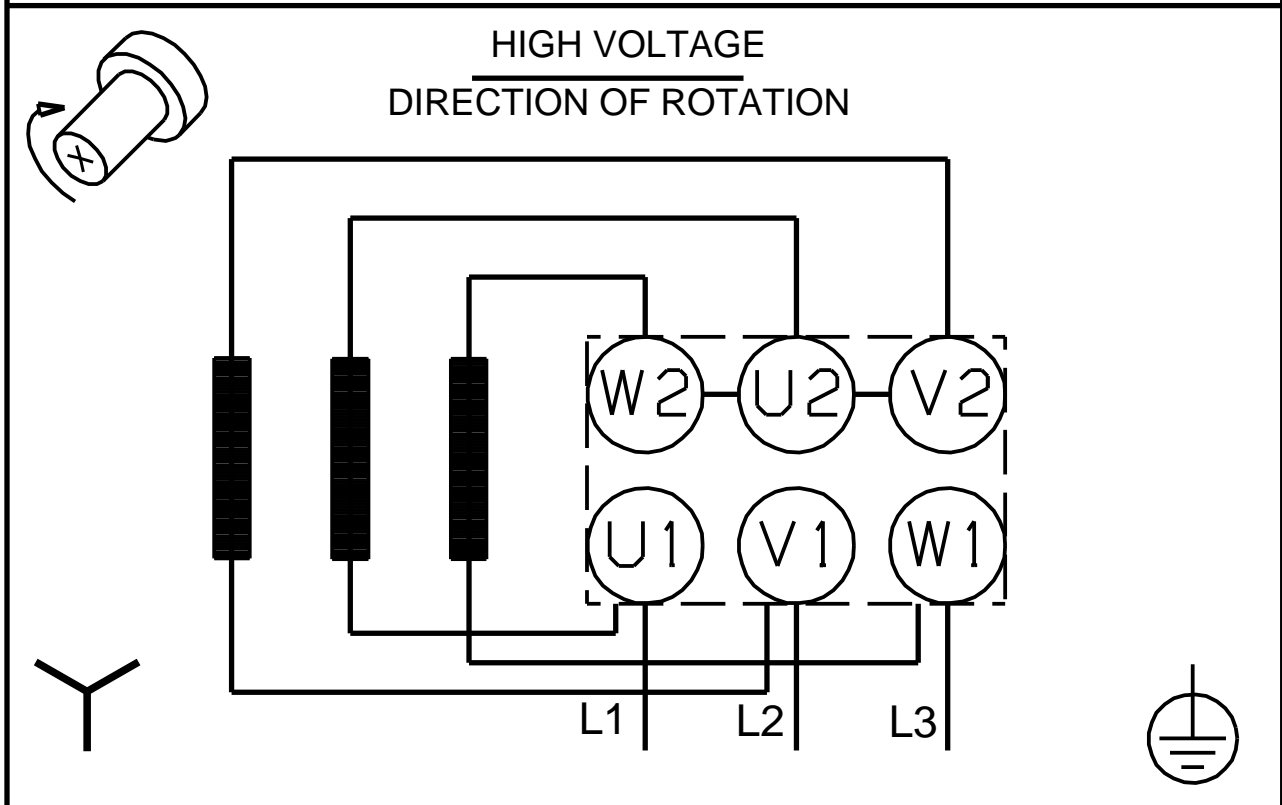
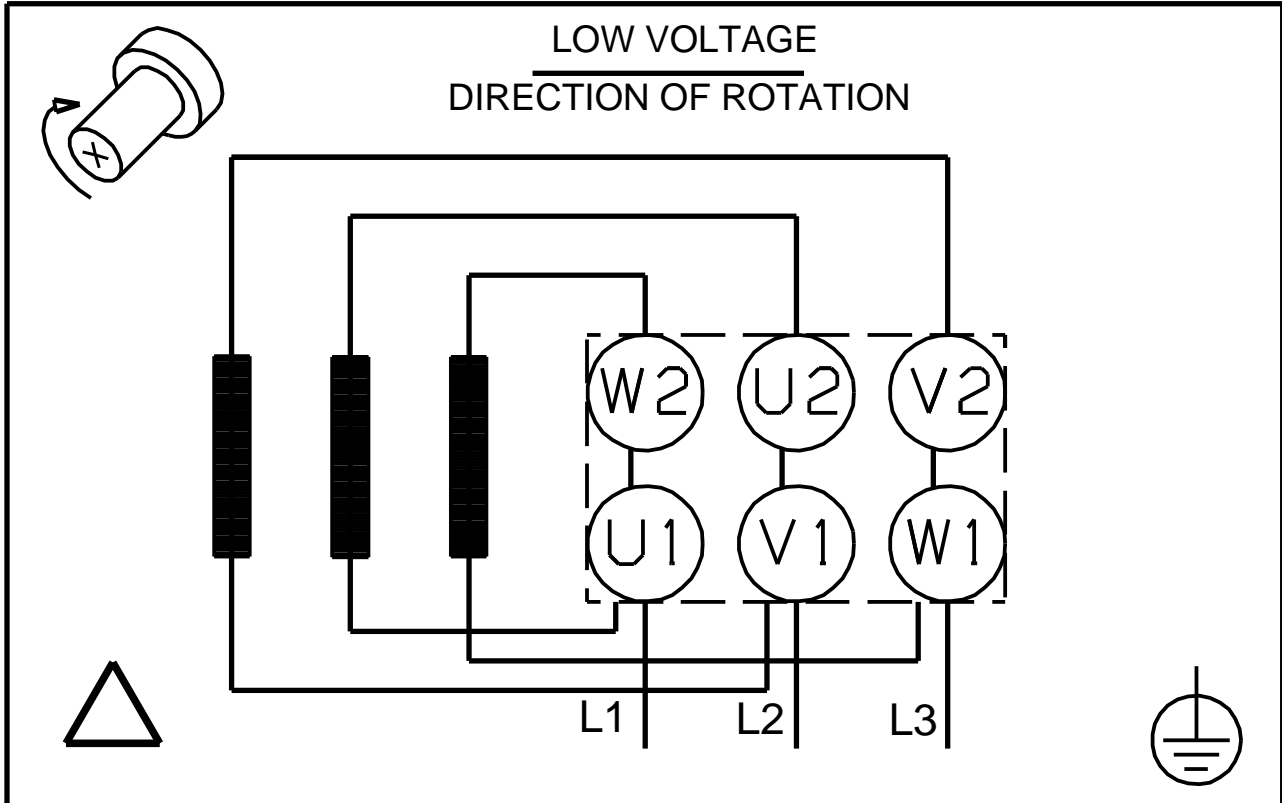
Description	Value
Enclosure class (IEC 34-5):	55 Dust/Jetting
Insulation class (IEC 85):	F
Motor protec:	NONE
Motor No:	85U01906
Others:	
Minimum efficiency index, MEI %:	0.7
Net weight:	31.2 kg
Gross weight:	36.2 kg

96100310 CRT 2-15 A-P-A-E-AUUE 50 Hz



Note! All units are in [mm] unless others are stated.
Disclaimer: This simplified dimensional drawing does not show all details.

96100310 CRT 2-15 A-P-A-E-AUUE 50 Hz



Note! All units are in [mm] unless others are stated.