
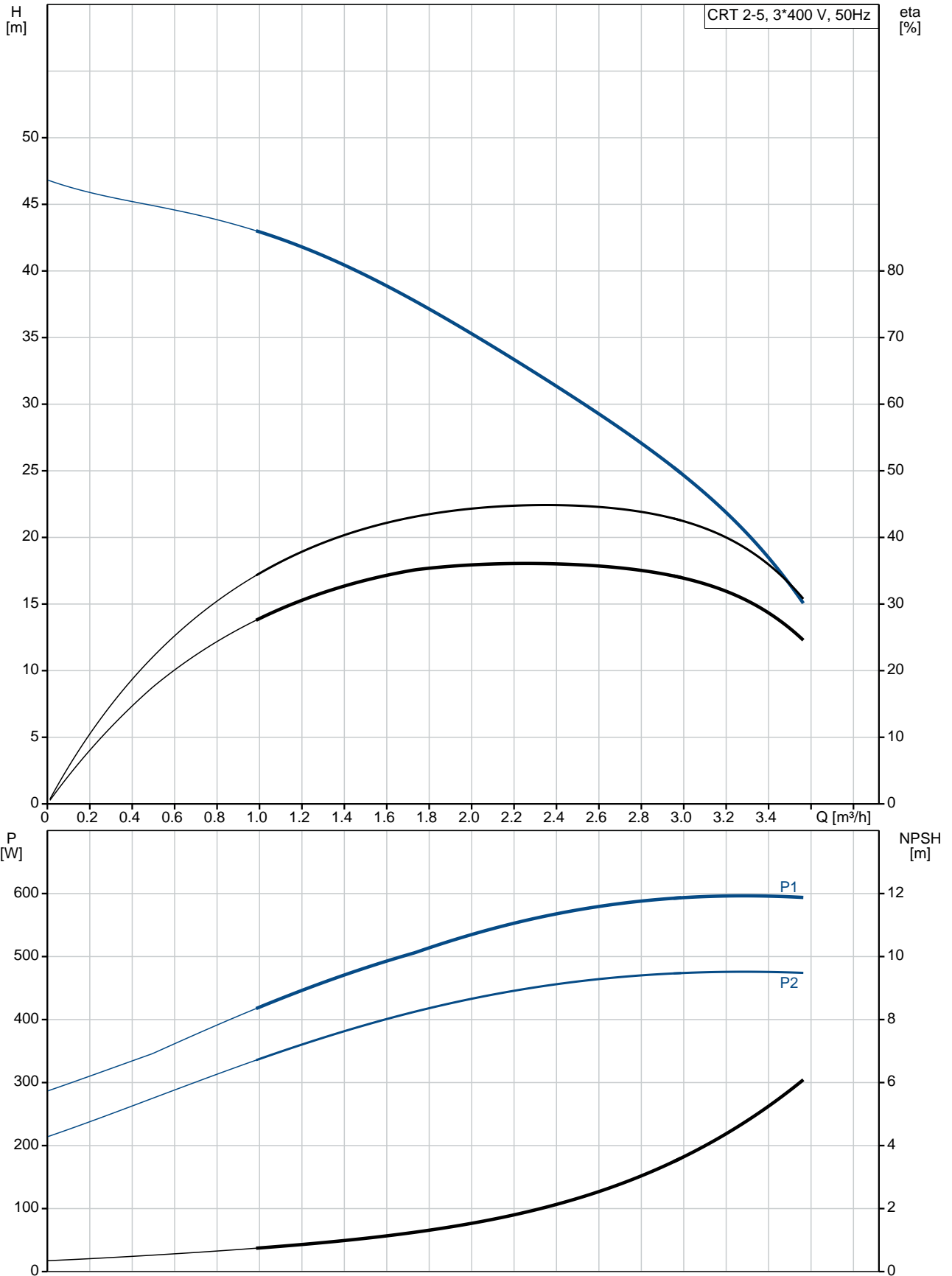


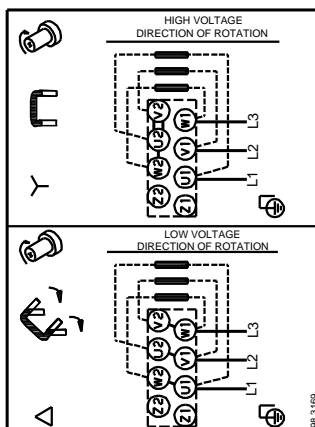
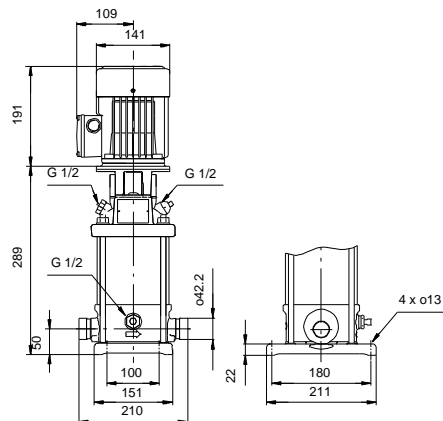
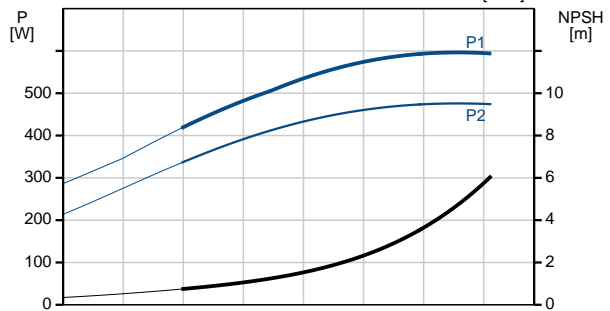
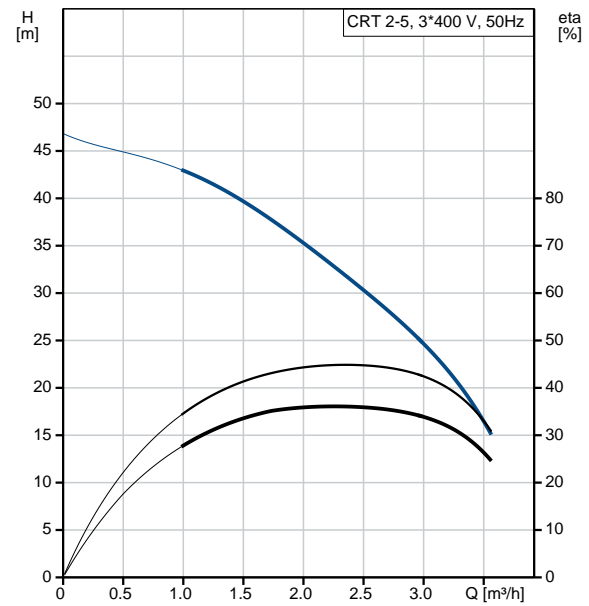
Qty.	Description
1	<p data-bbox="199 338 475 367"><b>CRT 2-5 A-P-A-E-AUUE</b></p>  <p data-bbox="199 660 469 689">Product No.: <a href="#">96100304</a></p> <p data-bbox="199 689 724 779">Vertical, non-self-priming, multistage, in-line, centrifugal pump for installation in pipe systems and mounting on a foundation.</p> <p data-bbox="199 808 679 837">The pump has the following characteristics:</p> <ul data-bbox="236 837 759 866" style="list-style-type: none"> <li>- Impellers, intermediate chambers and outer</li> </ul> <p data-bbox="199 866 887 896">Impeller: sleeve are made of Titanium.</p> <p data-bbox="199 896 1131 925">Pump housing: - Pump head cover and base are made of Titanium.</p> <ul data-bbox="236 925 668 954" style="list-style-type: none"> <li>- The shaft seal has assembly length</li> </ul> <p data-bbox="199 954 462 983">according to EN 12756.</p> <ul data-bbox="236 983 713 1046" style="list-style-type: none"> <li>- Power transmission is via cast iron split coupling.</li> </ul> <p data-bbox="199 1046 927 1108">Flange standard: - Pipework connection is via PJE flanges/couplings.</p> <p data-bbox="199 1133 940 1162">Phase: The motor is a 3-phase AC motor.</p> <p data-bbox="199 1193 277 1223">Liquid:</p> <p data-bbox="199 1223 635 1252">Pumped liquid: Water</p> <p data-bbox="199 1252 707 1281">Liquid temperature range: -20 .. 120 °C</p> <p data-bbox="199 1281 632 1310">Selected liquid temperature: 20 °C</p> <p data-bbox="199 1310 700 1339">Density: 998.2 kg/m<sup>3</sup></p> <p data-bbox="199 1370 319 1400">Technical:</p> <p data-bbox="199 1400 823 1429">Pump speed on which pump data are based: 2900 rpm</p> <p data-bbox="199 1429 660 1458">Rated flow: 2.5 m<sup>3</sup>/h</p> <p data-bbox="199 1458 624 1487">Rated head: 28 m</p> <p data-bbox="199 1487 636 1516">Primary shaft seal: AUUE</p> <p data-bbox="199 1516 641 1545">Approvals on nameplate: CE,TR</p> <p data-bbox="199 1545 764 1574">Curve tolerance: ISO9906:2012 3B</p> <p data-bbox="199 1606 312 1635">Materials:</p> <p data-bbox="199 1635 708 1697">Pump housing: Titanium ASTM B 265</p> <p data-bbox="199 1697 708 1760">Impeller: Titanium ASTM B 265</p> <p data-bbox="199 1760 639 1789">Bush material: NONE</p> <p data-bbox="199 1821 330 1850">Installation:</p> <p data-bbox="199 1850 632 1879">Maximum ambient temperature: 40 °C</p> <p data-bbox="199 1879 735 1942">Max pressure at stated temp: 25 bar / 120 °C 25 bar / -20 °C</p> <p data-bbox="199 1942 614 1971">Flange standard: PJE</p> <p data-bbox="199 1971 665 2000">Pipe connection: 42,4 mm</p> <p data-bbox="199 2000 627 2029">Flange size for motor: FT85</p> <p data-bbox="199 2060 368 2089">Electrical data:</p>

Qty.	Description
	Motor type: 71B
	IE Efficiency class: IE3
	Rated power - P2: 0.55 kW
	Power (P2) required by pump: 0.55 kW
	0.55 kW
	Mains frequency: 50 Hz
	Rated voltage: 3 x 220-240D/380-415Y V
	Rated current: 2.50/1.44 A
	Starting current: 580-620 %
	Cos phi - power factor: 0.80-0.70
	Rated speed: 2830-2850 rpm
	Efficiency: IE3 77,8%
	Motor efficiency at full load: 77.8 %
	Motor efficiency at 3/4 load: 81.5 %
	Motor efficiency at 1/2 load: 79.5 %
	Number of poles: 2
	Enclosure class (IEC 34-5): 55 Dust/Jetting
	Insulation class (IEC 85): F
	Motor No: 85805103
	Others:
	Minimum efficiency index, MEI $\hat{\alpha}\%$ : 0.7
	Net weight: 17.1 kg
	Gross weight: 22.1 kg

## 96100304 CRT 2-5 A-P-A-E-AUUE 50 Hz



Description	Value
<b>General information:</b>	
Product name:	CRT 2-5 A-P-A-E-AUUE
Product No:	96100304
EAN number:	5700395842623
Price:	
<b>Technical:</b>	
Pump speed on which pump data are based:	2900 rpm
Rated flow:	2.5 m <sup>3</sup> /h
Rated head:	28 m
Maximum head:	46.4 m
Head max:	46.4 m
Stages:	5
Impellers:	5
Primary shaft seal:	AUUE
Approvals on nameplate:	CE,TR
Curve tolerance:	ISO9906:2012 3B
Pump version:	A
Model:	A
<b>Materials:</b>	
Pump housing:	Titanium
Pump housing:	ASTM B 265
Impeller:	Titanium
Impeller:	ASTM B 265
Material code:	A
Code for rubber:	E
Bush material:	NONE
<b>Installation:</b>	
Maximum ambient temperature:	40 °C
Max pressure at stated temp:	25 bar / 120 °C
Max pressure at stated temp:	25 bar / -20 °C
Flange standard:	PJE
Pipe connection:	42,4 mm
Flange size for motor:	FT85
Connect code:	P
<b>Liquid:</b>	
Pumped liquid:	Water
Liquid temperature range:	-20 .. 120 °C
Selected liquid temperature:	20 °C
Density:	998.2 kg/m <sup>3</sup>
<b>Electrical data:</b>	
Motor type:	71B
IE Efficiency class:	IE3
Rated power - P2:	0.55 kW
Power (P2) required by pump:	0.55 kW
Power (P2) required by pump:	0.55 kW
Mains frequency:	50 Hz
Rated voltage:	3 x 220-240D/380-415Y V
Rated current:	2.50/1.44 A
Starting current:	580-620 %
Cos phi - power factor:	0.80-0.70
Rated speed:	2830-2850 rpm
Efficiency:	IE3 77,8%
Motor efficiency at full load:	77.8 %
Motor efficiency at 3/4 load:	81.5 %
Motor efficiency at 1/2 load:	79.5 %
Number of poles:	2





Company name:

Created by:

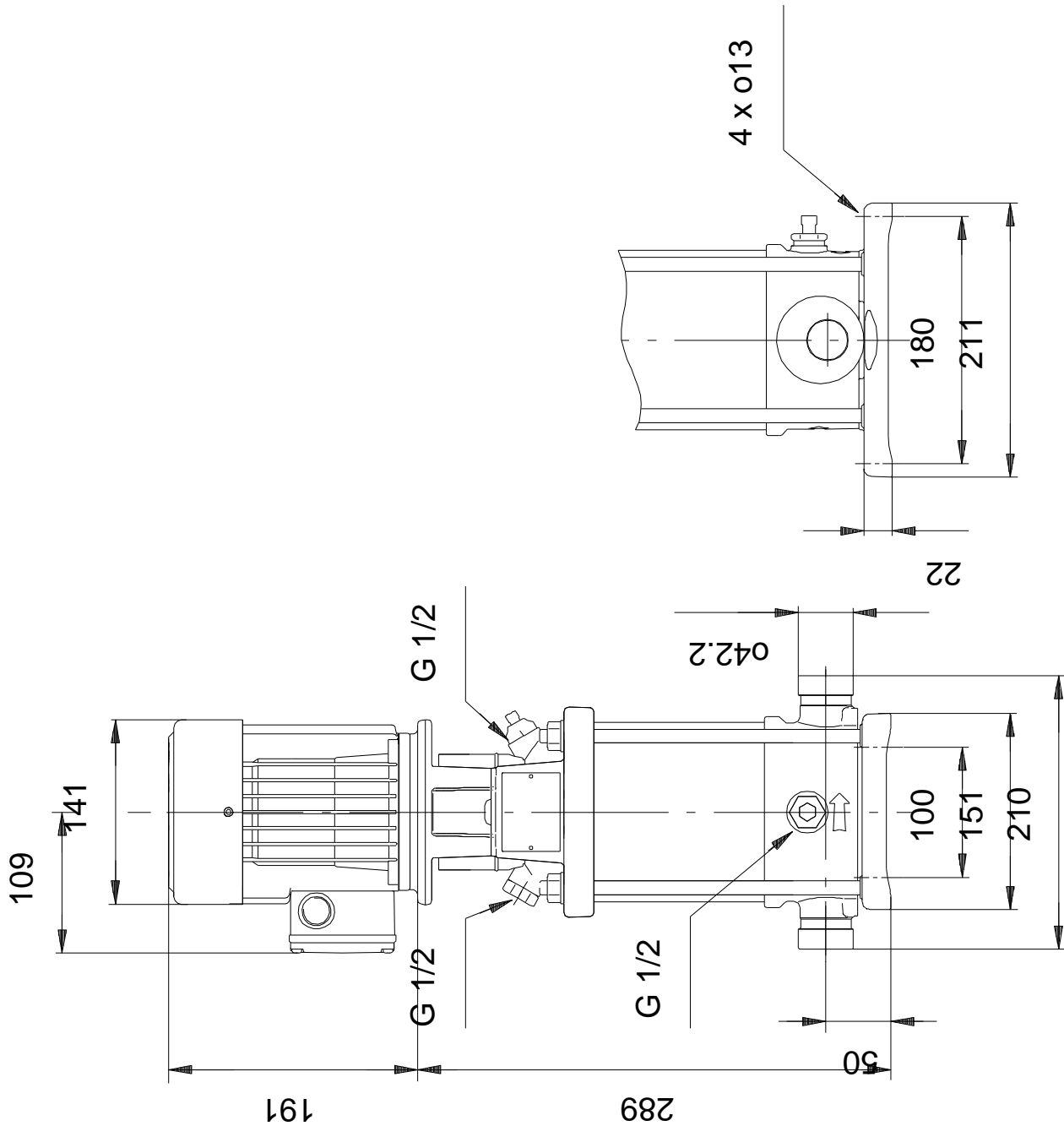
Phone:

Date:

19/01/2021

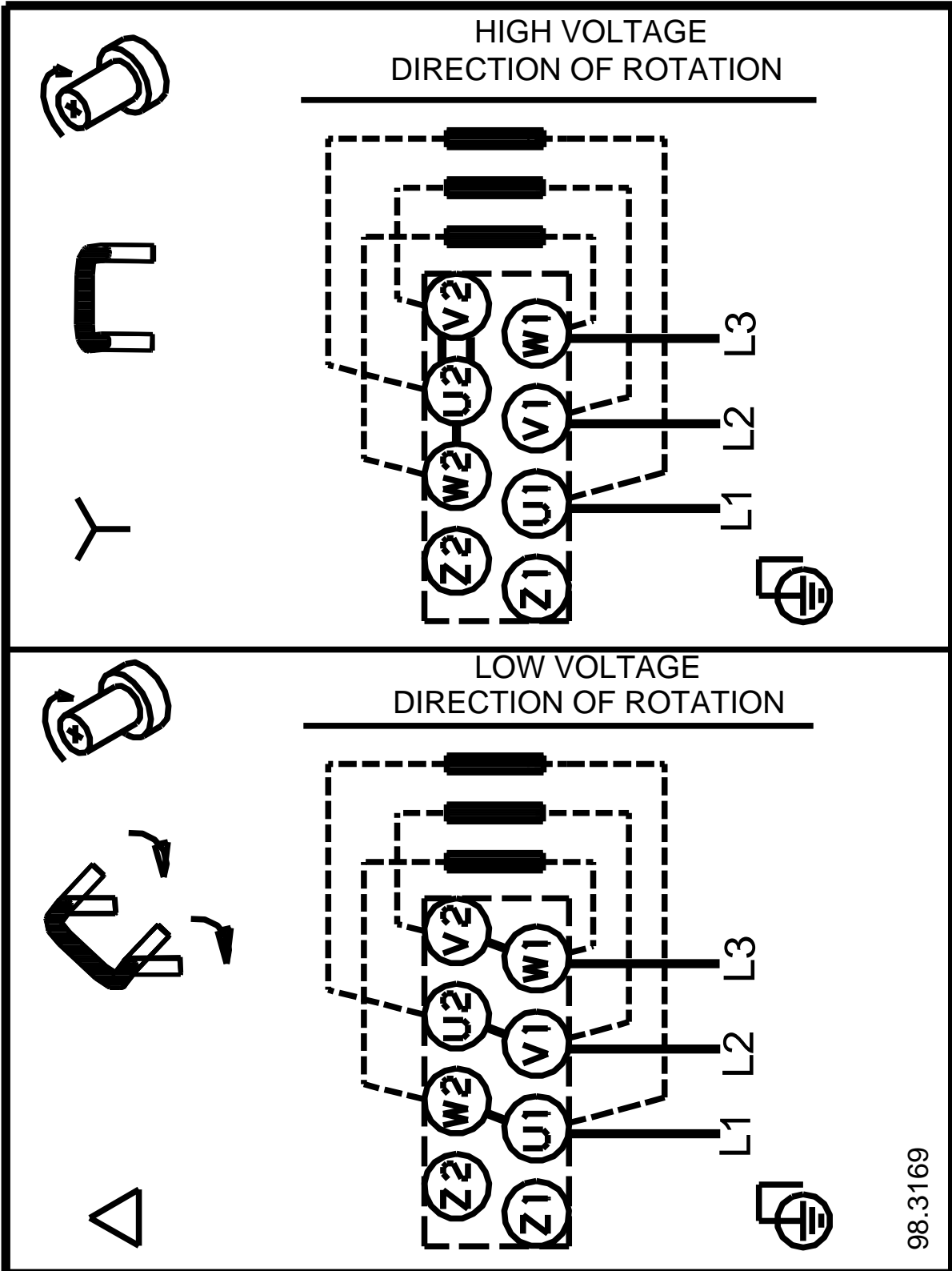
Description	Value
Enclosure class (IEC 34-5):	55 Dust/Jetting
Insulation class (IEC 85):	F
Motor protec:	NONE
Motor No:	85805103
<b>Others:</b>	
Minimum efficiency index, MEI %:	0.7
Net weight:	17.1 kg
Gross weight:	22.1 kg

## 96100304 CRT 2-5 A-P-A-E-AUUE 50 Hz



Note! All units are in [mm] unless others are stated.  
Disclaimer: This simplified dimensional drawing does not show all details.

**96100304 CRT 2-5 A-P-A-E-AUUE 50 Hz**



Note! All units are in [mm] unless others are stated.