
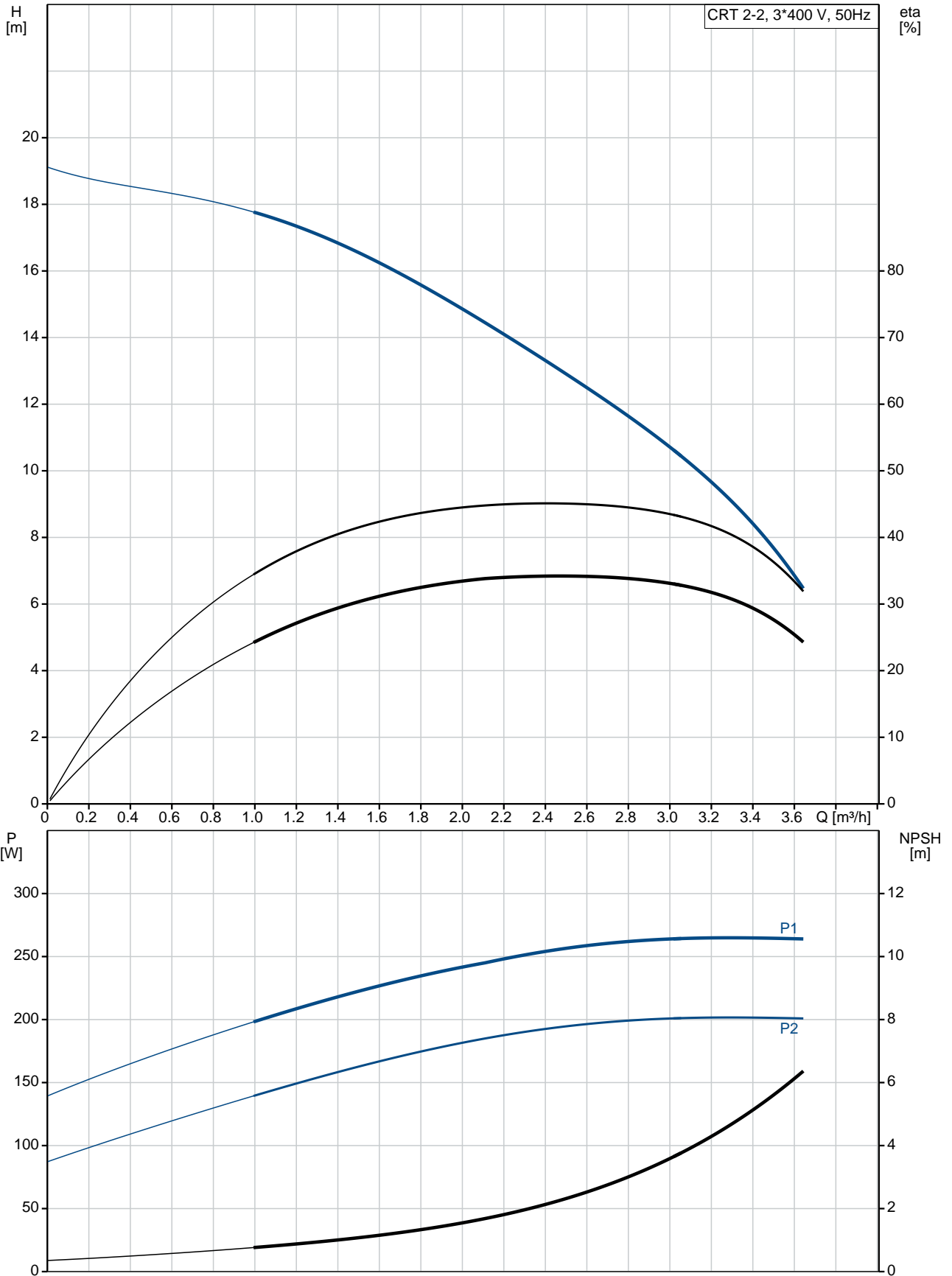


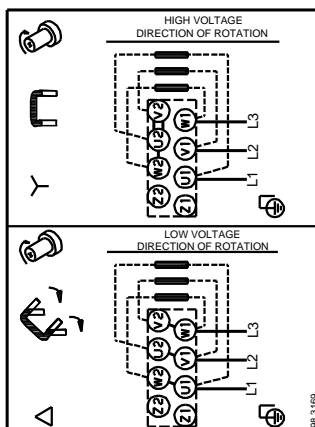
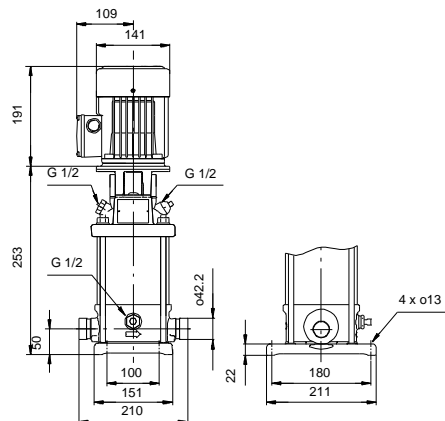
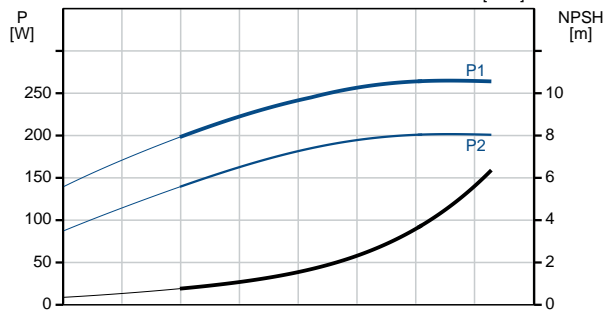
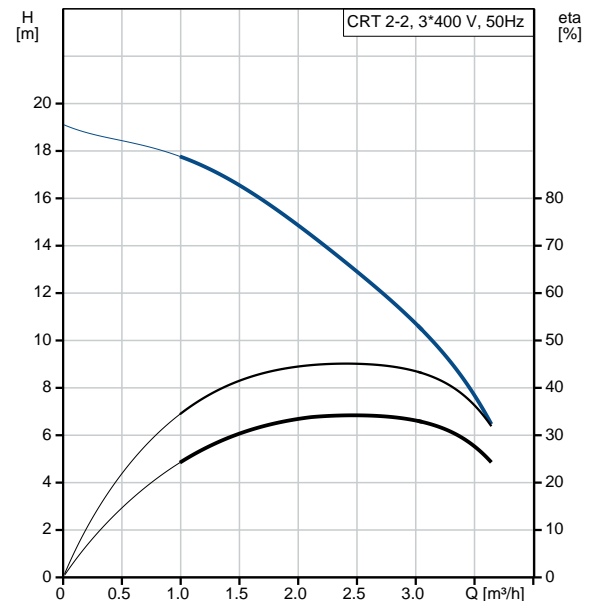
| Qty. | Description |
|------|--|
| 1 | <p data-bbox="199 342 475 365">CRT 2-2 A-P-A-E-AUUE</p>  <p data-bbox="199 663 464 685">Product No.: 96100301</p> <p data-bbox="199 692 724 777">Vertical, non-self-priming, multistage, in-line, centrifugal pump for installation in pipe systems and mounting on a foundation.</p> <p data-bbox="199 808 679 837">The pump has the following characteristics:</p> <ul data-bbox="240 840 759 869" style="list-style-type: none"> - Impellers, intermediate chambers and outer <p data-bbox="199 871 887 898">Impeller: sleeve are made of Titanium.</p> <p data-bbox="199 900 1131 927">Pump housing: - Pump head cover and base are made of Titanium.</p> <ul data-bbox="240 929 668 958" style="list-style-type: none"> - The shaft seal has assembly length <p data-bbox="199 960 464 987">according to EN 12756.</p> <ul data-bbox="240 990 711 1046" style="list-style-type: none"> - Power transmission is via cast iron split coupling. <p data-bbox="199 1048 927 1104">Flange standard: - Pipework connection is via PJE flanges/couplings.</p> <p data-bbox="199 1135 940 1164">Phase: The motor is a 3-phase AC motor.</p> <p data-bbox="199 1196 277 1225">Liquid:</p> <p data-bbox="199 1227 635 1254">Pumped liquid: Water</p> <p data-bbox="199 1256 707 1283">Liquid temperature range: -20 .. 120 °C</p> <p data-bbox="199 1285 632 1312">Selected liquid temperature: 20 °C</p> <p data-bbox="199 1314 700 1341">Density: 998.2 kg/m³</p> <p data-bbox="199 1373 319 1402">Technical:</p> <p data-bbox="199 1404 821 1431">Pump speed on which pump data are based: 2900 rpm</p> <p data-bbox="199 1433 660 1460">Rated flow: 2.5 m³/h</p> <p data-bbox="199 1462 644 1489">Rated head: 12.8 m</p> <p data-bbox="199 1491 636 1518">Primary shaft seal: AUUE</p> <p data-bbox="199 1520 641 1547">Approvals on nameplate: CE,TR</p> <p data-bbox="199 1550 764 1576">Curve tolerance: ISO9906:2012 3B</p> <p data-bbox="199 1608 312 1637">Materials:</p> <p data-bbox="199 1639 708 1695">Pump housing: Titanium ASTM B 265</p> <p data-bbox="199 1697 708 1753">Impeller: Titanium ASTM B 265</p> <p data-bbox="199 1756 639 1783">Bush material: NONE</p> <p data-bbox="199 1814 330 1843">Installation:</p> <p data-bbox="199 1845 632 1872">Maximum ambient temperature: 40 °C</p> <p data-bbox="199 1874 734 1930">Max pressure at stated temp: 25 bar / 120 °C 25 bar / -20 °C</p> <p data-bbox="199 1933 614 1960">Flange standard: PJE</p> <p data-bbox="199 1962 665 1989">Pipe connection: 42,4 mm</p> <p data-bbox="199 1991 627 2018">Flange size for motor: FT85</p> <p data-bbox="199 2049 367 2078">Electrical data:</p> |

| Qty. | Description |
|------|---|
| | <p>Motor type: 71A</p> <p>IE Efficiency class: IE3</p> <p>Rated power - P2: 0.37 kW</p> <p>Power (P2) required by pump: 0.37 kW</p> <p>Mains frequency: 50 Hz</p> <p>Rated voltage: 3 x 220-240D/380-415Y V</p> <p>Rated current: 1.74/1.00 A</p> <p>Starting current: 490-530 %</p> <p>Cos phi - power factor: 0.80-0.70</p> <p>Rated speed: 2850-2880 rpm</p> <p>Efficiency: IE3 73,8%</p> <p>Motor efficiency at full load: 73.8 %</p> <p>Motor efficiency at 3/4 load: 79.0 %</p> <p>Motor efficiency at 1/2 load: 75.5 %</p> <p>Number of poles: 2</p> <p>Enclosure class (IEC 34-5): 55 Dust/Jetting</p> <p>Insulation class (IEC 85): F</p> <p>Motor No: 85805102</p> <p>Others:</p> <p>Minimum efficiency index, MEI $\hat{\alpha}\%$: 0.7</p> <p>Net weight: 14.9 kg</p> <p>Gross weight: 19.9 kg</p> |

96100301 CRT 2-2 A-P-A-E-AUUE 50 Hz



| Description | Value |
|--|----------------------------|
| General information: | |
| Product name: | CRT 2-2 A-P-A-E-AUUE |
| Product No: | 96100301 |
| EAN number: | 5700395842494 |
| Price: | |
| Technical: | |
| Pump speed on which pump data are based: | 2900 rpm |
| Rated flow: | 2.5 m ³ /h |
| Rated head: | 12.8 m |
| Maximum head: | 19 m |
| Head max: | 19 m |
| Stages: | 3 |
| Impellers: | 2 |
| Primary shaft seal: | AUUE |
| Approvals on nameplate: | CE,TR |
| Curve tolerance: | ISO9906:2012 3B |
| Pump version: | A |
| Model: | A |
| Materials: | |
| Pump housing: | Titanium |
| Pump housing: | ASTM B 265 |
| Impeller: | Titanium |
| Impeller: | ASTM B 265 |
| Material code: | A |
| Code for rubber: | E |
| Bush material: | NONE |
| Installation: | |
| Maximum ambient temperature: | 40 °C |
| Max pressure at stated temp: | 25 bar / 120 °C |
| Max pressure at stated temp: | 25 bar / -20 °C |
| Flange standard: | PJE |
| Pipe connection: | 42,4 mm |
| Flange size for motor: | FT85 |
| Connect code: | P |
| Liquid: | |
| Pumped liquid: | Water |
| Liquid temperature range: | -20 .. 120 °C |
| Selected liquid temperature: | 20 °C |
| Density: | 998.2 kg/m ³ |
| Electrical data: | |
| Motor type: | 71A |
| IE Efficiency class: | IE3 |
| Rated power - P2: | 0.37 kW |
| Power (P2) required by pump: | 0.37 kW |
| Power (P2) required by pump: | 0.37 kW |
| Mains frequency: | 50 Hz |
| Rated voltage: | 3 x 220-240D/380-415Y V |
| Rated current: | 1.74/1.00 A |
| Starting current: | 490-530 % |
| Cos phi - power factor: | 0.80-0.70 |
| Rated speed: | 2850-2880 rpm |
| Efficiency: | IE3 73,8% |
| Motor efficiency at full load: | 73.8 % |
| Motor efficiency at 3/4 load: | 79.0 % |
| Motor efficiency at 1/2 load: | 75.5 % |
| Number of poles: | 2 |





Company name:

Created by:

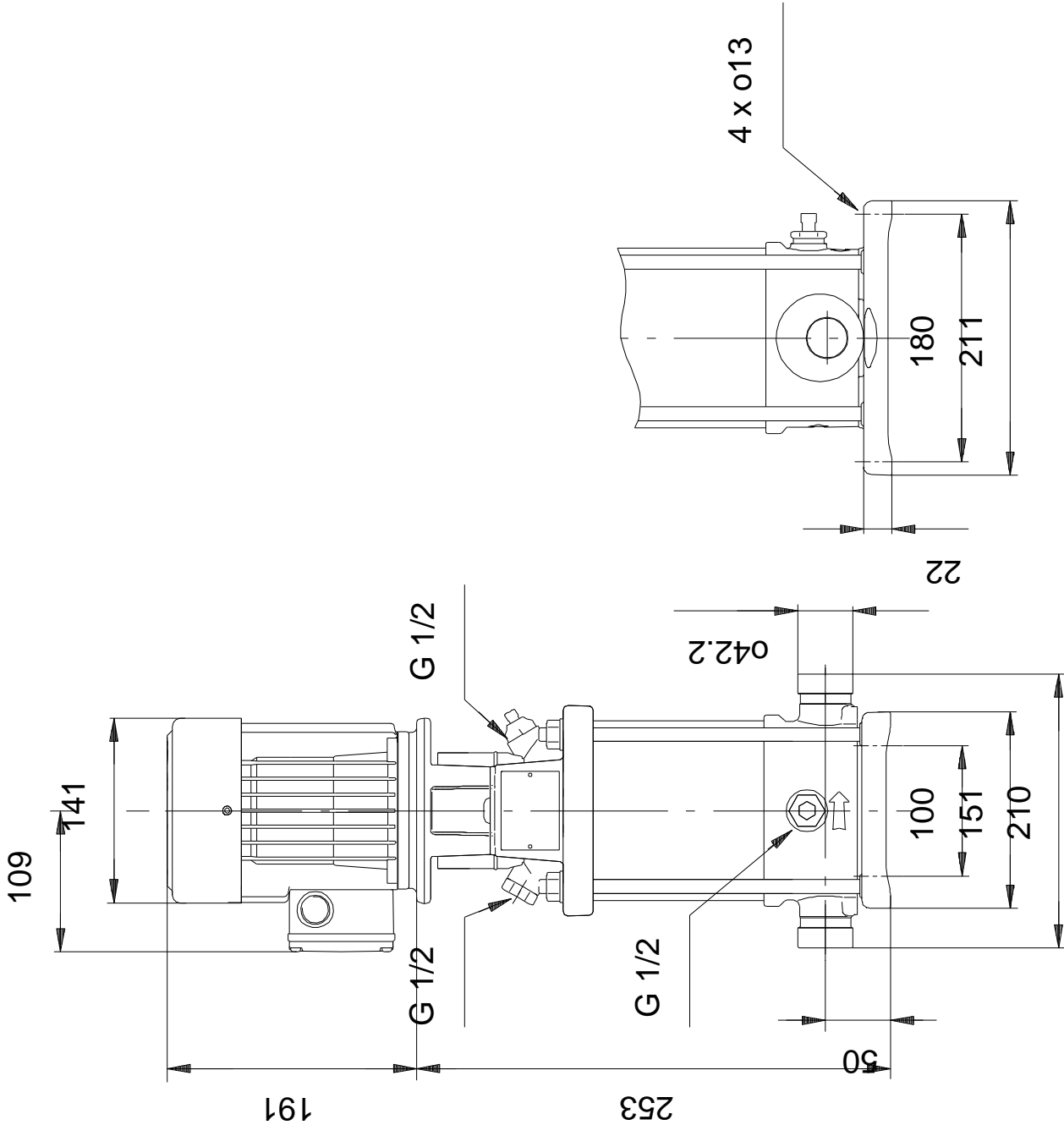
Phone:

Date:

19/01/2021

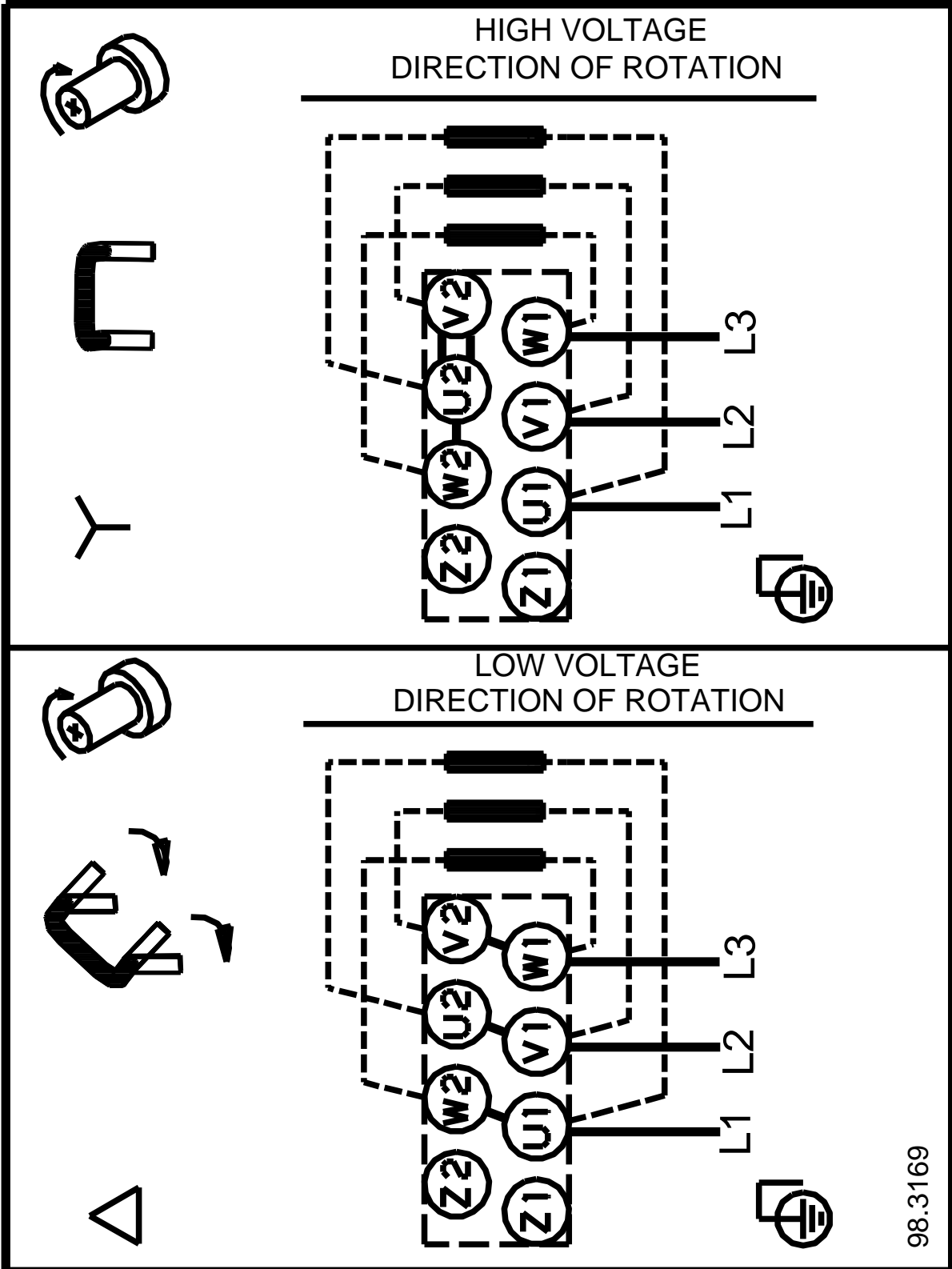
| Description | Value |
|----------------------------------|-----------------|
| Enclosure class (IEC 34-5): | 55 Dust/Jetting |
| Insulation class (IEC 85): | F |
| Motor protec: | NONE |
| Motor No: | 85805102 |
| Others: | |
| Minimum efficiency index, MEI %: | 0.7 |
| Net weight: | 14.9 kg |
| Gross weight: | 19.9 kg |

96100301 CRT 2-2 A-P-A-E-AUUE 50 Hz



Note! All units are in [mm] unless others are stated.
Disclaimer: This simplified dimensional drawing does not show all details.

96100301 CRT 2-2 A-P-A-E-AUUE 50 Hz



Note! All units are in [mm] unless others are stated.