
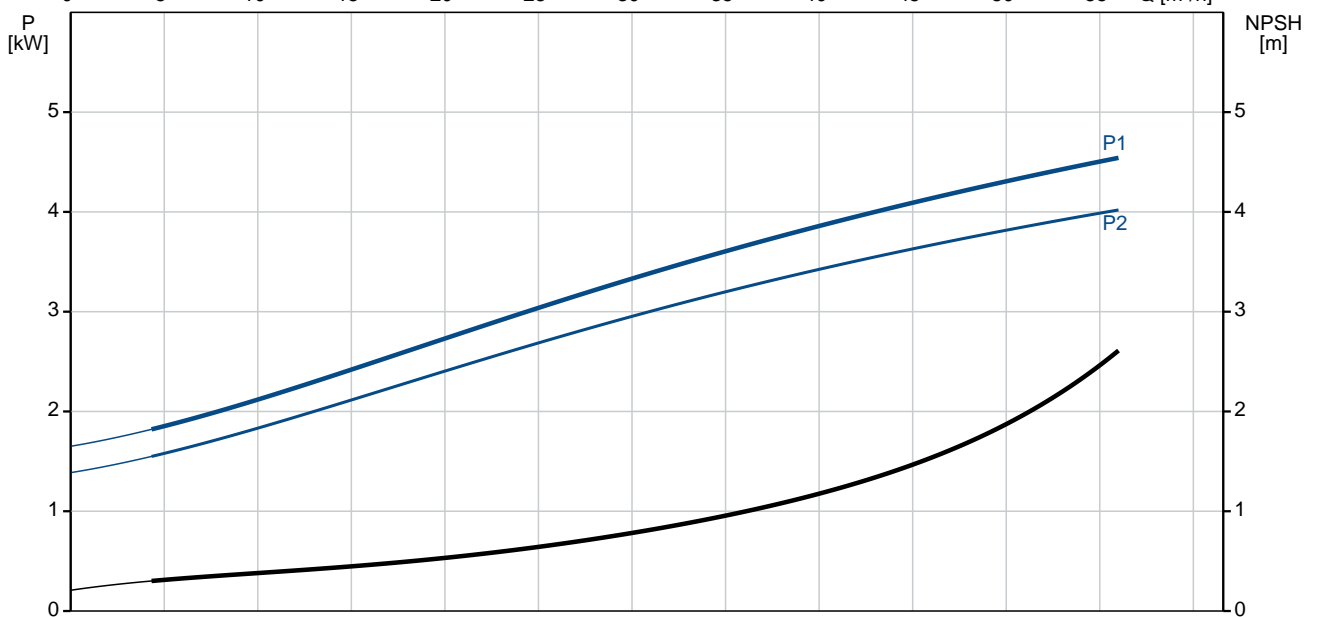
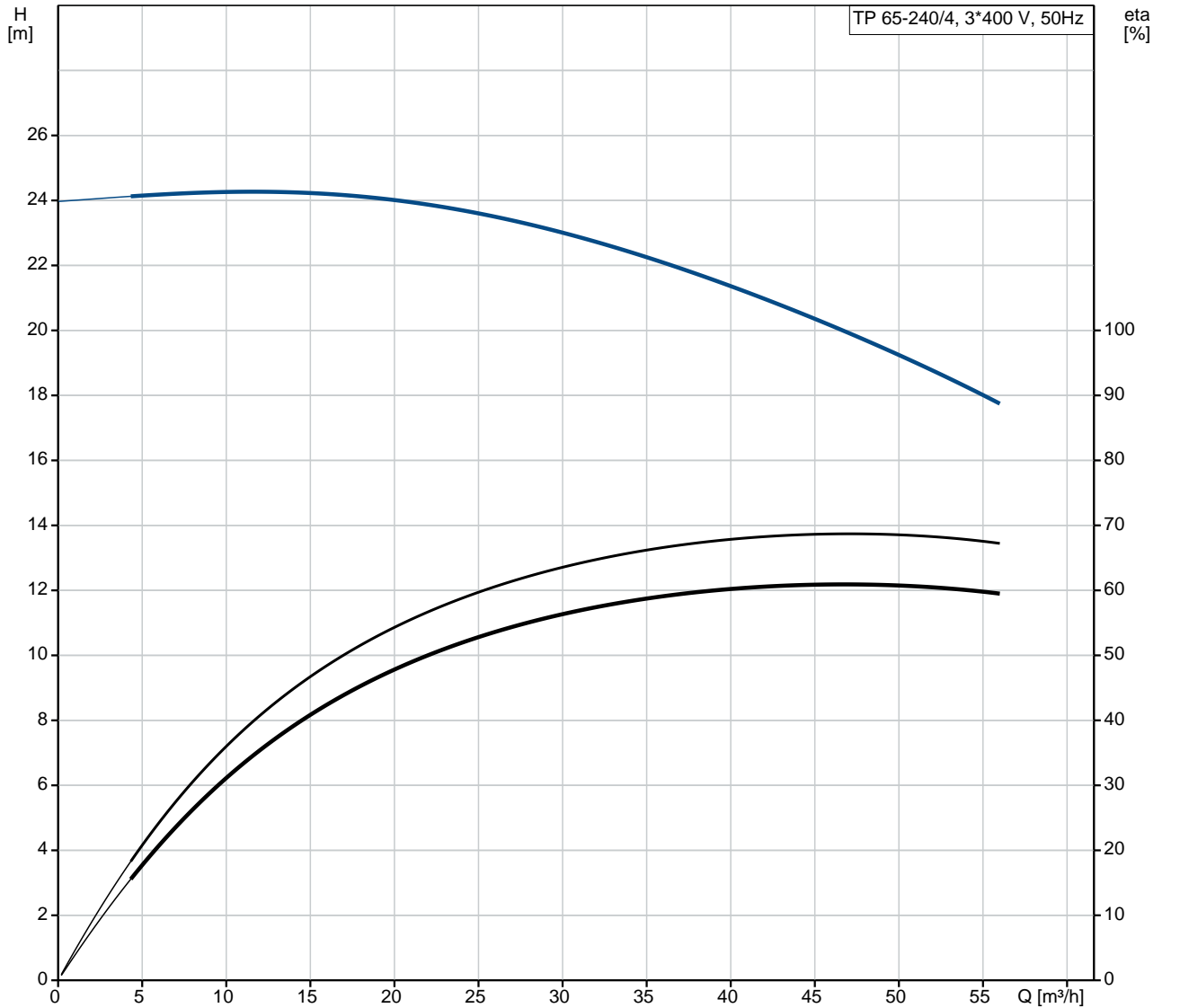


| Position | Qty. | Description  |
|----------|------|--|
|          | 1    | <p><b>TP 65-240/4 A-F-A-BQQE</b></p>  <p>Product No.: <a href="#">96087629</a></p> <p>Single-stage, close-coupled, volute pump with in-line suction and discharge ports of identical diameter. The pump is of the top-pull-out design, i.e. the power head (motor, pump head and impeller) can be removed for maintenance or service while the pump housing remains in the pipework.</p> <p>The pump is fitted with an unbalanced rubber bellows seal. The shaft seal is according to EN 12756. Pipework connection is via PN 16 DIN flanges (EN 1092-2 and ISO 7005-2).</p> <p>The pump is fitted with a fan-cooled asynchronous motor.</p> <p><b>Liquid:</b><br/> Pumped liquid: Water<br/> Liquid temperature range: -25 .. 120 °C<br/> Liquid temperature during operation: 20 °C<br/> Density: 998.2 kg/m<sup>3</sup></p> <p><b>Technical:</b><br/> Speed for pump data: 1455 rpm<br/> Rated flow: 47.5 m<sup>3</sup>/h<br/> Rated head: 19.8 m<br/> Actual impeller diameter: 263 mm<br/> Primary shaft seal: BQQE<br/> Curve tolerance: ISO9906:2012 3B</p> <p><b>Materials:</b><br/> Pump housing: Cast iron<br/> EN-JL1040<br/> ASTM A48-40 B<br/> Impeller: Cast iron<br/> EN-JL1030<br/> ASTM A48-30 B</p> <p><b>Installation:</b><br/> Range of ambient temperature: -30 .. 60 °C<br/> Maximum operating pressure: 16 bar<br/> Flange standard: DIN<br/> Pipe connection: DN 65<br/> Pump inlet: DN 65<br/> Pump outlet: DN 65<br/> Pressure stage: PN 16<br/> Port-to-port length: 475 mm<br/> Flange size for motor: FF215</p> <p><b>Electrical data:</b><br/> Motor type: 112MC<br/> IE Efficiency class: IE3<br/> Rated power - P2: 4 kW<br/> Power (P2) required by pump: 4 kW<br/> Mains frequency: 50 Hz</p> |

| Position | Qty. | Description  |
|----------|------|--|
|          |      | <p>Rated voltage: 3 x 380-415D V<br/>           Rated current: 9.3 A<br/>           Starting current: 790-870 %<br/>           Cos phi - power factor: 0,75-0,68<br/>           Rated speed: 1460 rpm<br/>           Efficiency: IE3 88,6%<br/>           Motor efficiency at full load: 88.6 %<br/>           Motor efficiency at 3/4 load: 88.9 %<br/>           Motor efficiency at 1/2 load: 88.3 %<br/>           Number of poles: 4<br/>           Enclosure class (IEC 34-5): 55 Dust/Jetting<br/>           Insulation class (IEC 85): F</p> <p><b>Others:</b></p> <p>Label: Grundfos Blueflux<br/>           Minimum efficiency index, MEI : 0.70<br/>           ErP status: EuP Standalone/Prod.<br/>           Net weight: 96 kg<br/>           Gross weight: 113 kg<br/>           Shipping volume: 0.39 m<sup>3</sup><br/>           Danish: VVS NO 381714240</p> |

## 96087629 TP 65-240/4 50 Hz







Company name:

Created by:

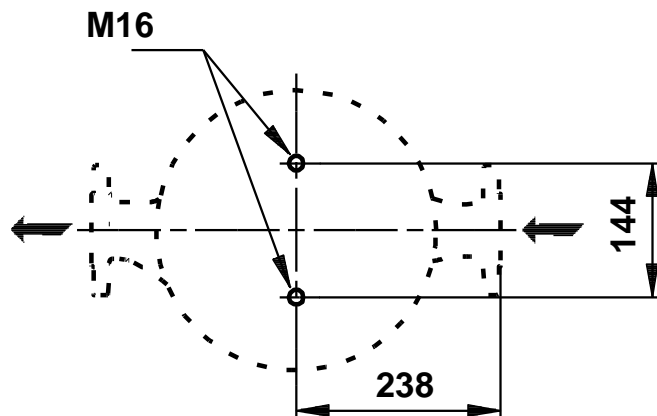
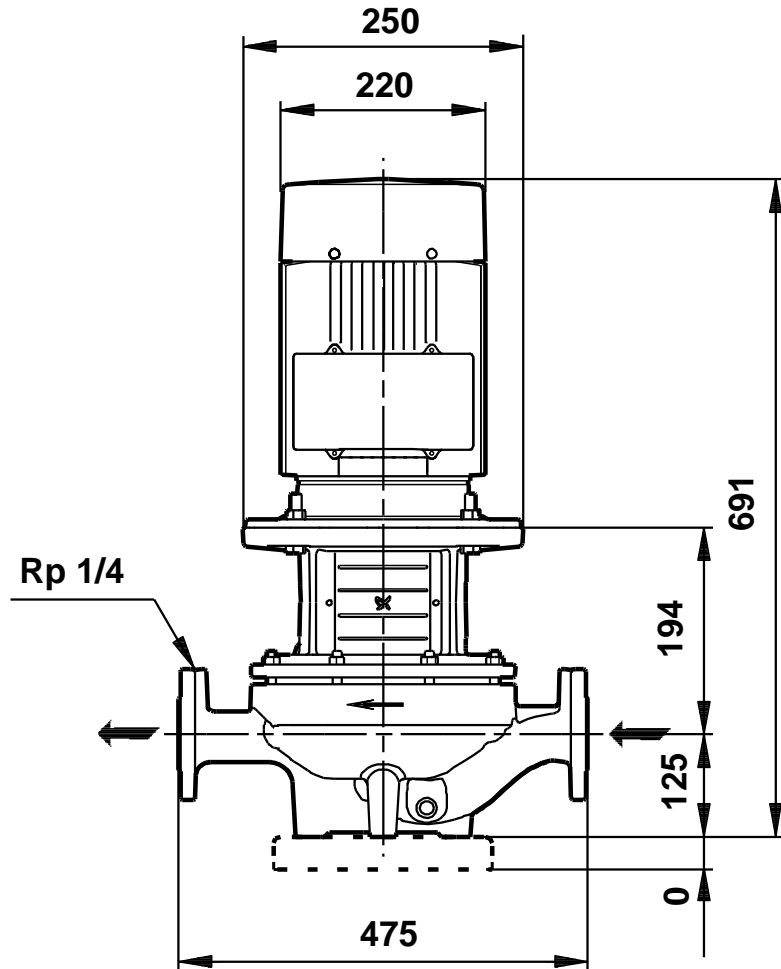
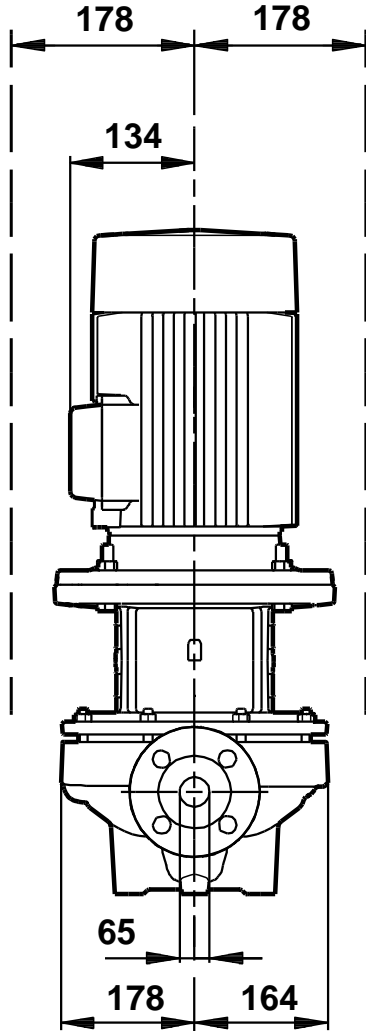
Phone:

Date:

31/08/2017

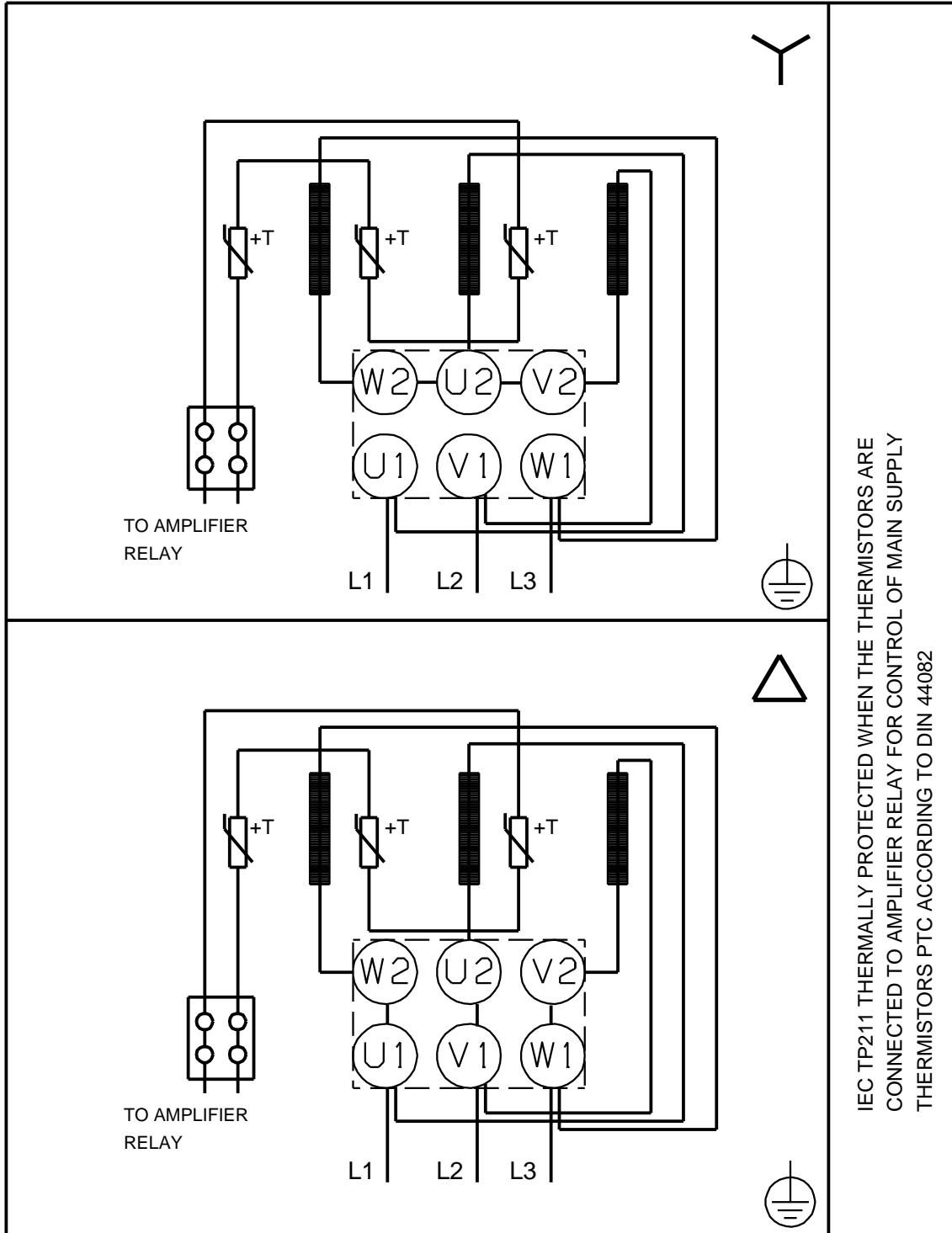
| Description                     | Value                |
|---------------------------------|----------------------|
| Enclosure class (IEC 34-5):     | 55 Dust/Jetting      |
| Insulation class (IEC 85):      | F                    |
| Motor protec:                   | PTC                  |
| Motor No:                       | 87322330             |
| <b>Others:</b>                  |                      |
| Label:                          | Grundfos Blueflux    |
| Minimum efficiency index, MEI : | 0.70                 |
| ErP status:                     | EuP Standalone/Prod. |
| Net weight:                     | 96 kg                |
| Gross weight:                   | 113 kg               |
| Shipping volume:                | 0.39 m <sup>3</sup>  |
| Danish:                         | VVS NO 381714240     |

## 96087629 TP 65-240/4 50 Hz



Note! All units are in [mm] unless others are stated.  
Disclaimer: This simplified dimensional drawing does not show all details.

## 96087629 TP 65-240/4 50 Hz



IEC TP211 THERMALLY PROTECTED WHEN THE THERMISTORS ARE  
CONNECTED TO AMPLIFIER RELAY FOR CONTROL OF MAIN SUPPLY  
THERMISTORS PTC ACCORDING TO DIN 44082

Note! All units are in [mm] unless others are stated.