
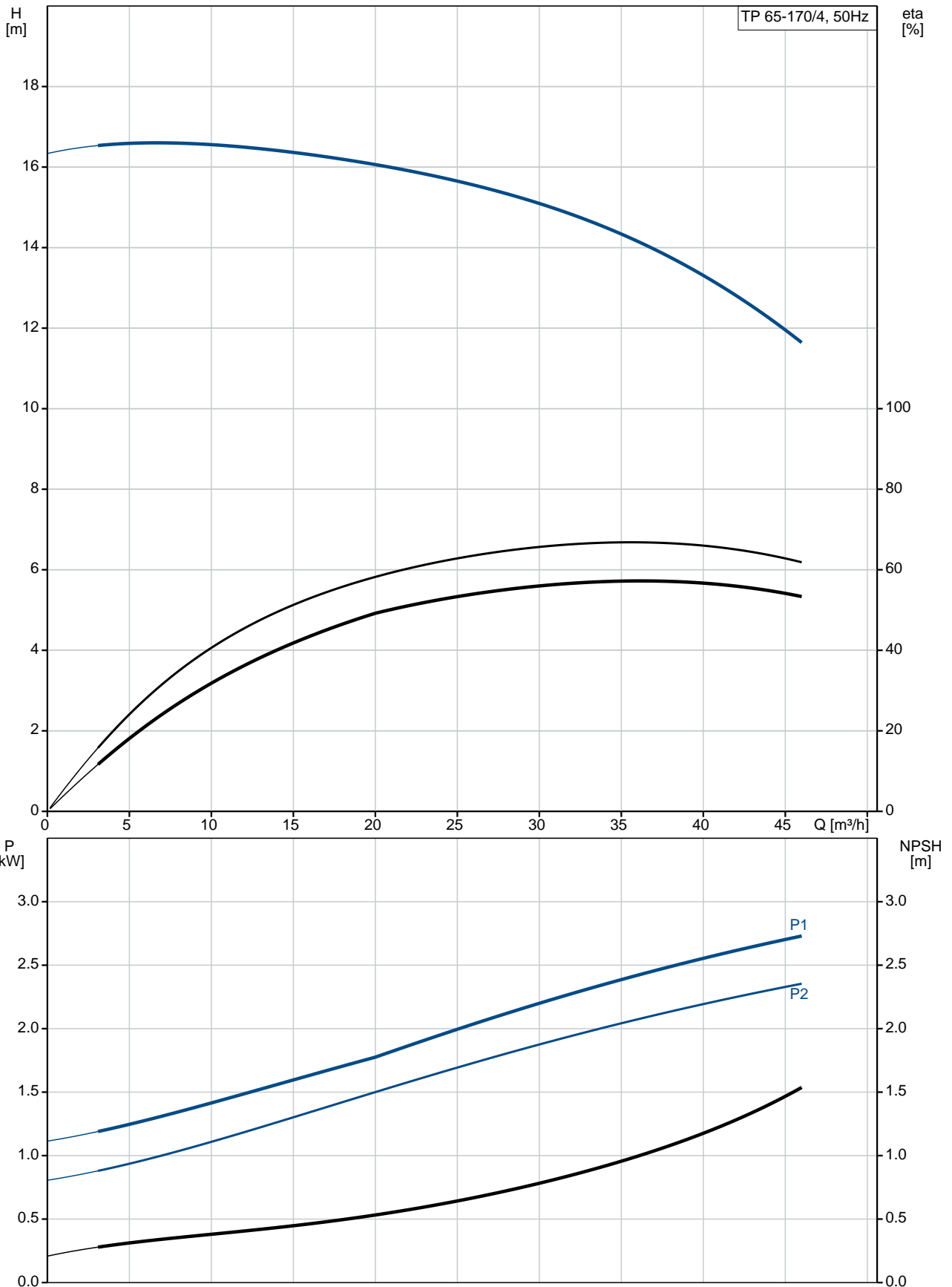


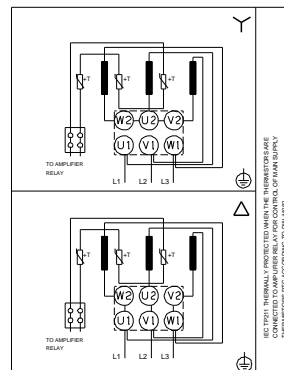
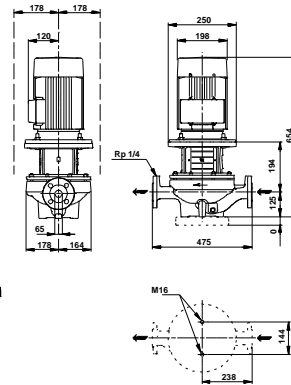
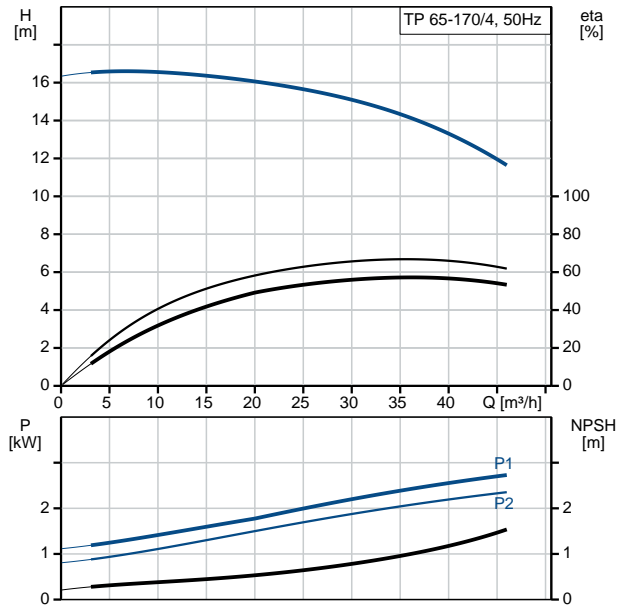
Position	Qty.	Description
	1	<p><b>TP 65-170/4 A-F-A-BQQE</b></p>  <p>Product No.: <a href="#">96087628</a></p> <p>Single-stage, close-coupled, volute pump with in-line suction and discharge ports of identical diameter. The pump is of the top-pull-out design, i.e. the power head (motor, pump head and impeller) can be removed for maintenance or service while the pump housing remains in the pipework.</p> <p>The pump is fitted with an unbalanced rubber bellows seal. The shaft seal is according to EN 12756. Pipework connection is via PN 16 DIN flanges (EN 1092-2 and ISO 7005-2).</p> <p>The pump is fitted with a fan-cooled asynchronous motor.</p> <p><b>Liquid:</b>  Pumped liquid: Water  Liquid temperature range: -25 .. 120 °C  Liquid temperature during operation: 20 °C  Density: 998.2 kg/m<sup>3</sup></p> <p><b>Technical:</b>  Speed for pump data: 1455 rpm  Rated flow: 35.7 m<sup>3</sup>/h  Rated head: 14.2 m  Actual impeller diameter: 219 mm  Primary shaft seal: BQQE  Curve tolerance: ISO9906:2012 3B</p> <p><b>Materials:</b>  Pump housing: Cast iron  EN-JL1040  ASTM A48-40 B  Impeller: Cast iron  EN-JL1030  ASTM A48-30 B</p> <p><b>Installation:</b>  Range of ambient temperature: -30 .. 60 °C  Maximum operating pressure: 16 bar  Flange standard: DIN  Pipe connection: DN 65  Pump inlet: DN 65  Pump outlet: DN 65  Pressure stage: PN 16  Port-to-port length: 475 mm  Flange size for motor: FF215</p> <p><b>Electrical data:</b>  Motor type: 100LC  IE Efficiency class: IE3  Rated power - P2: 3 kW  Power (P2) required by pump: 3 kW  Mains frequency: 50 Hz</p>

Position	Qty.	Description
		<p>Rated voltage: 3 x 380-415D V            Rated current: 6.3 A            Starting current: 700-770 %            Cos phi - power factor: 0,82-0,76            Rated speed: 1440-1450 rpm            Efficiency: IE3 87,7%            Motor efficiency at full load: 87.7 %            Motor efficiency at 3/4 load: 86 %            Motor efficiency at 1/2 load: 84.5 %            Number of poles: 4            Enclosure class (IEC 34-5): 55 Dust/Jetting            Insulation class (IEC 85): F</p> <p><b>Others:</b></p> <p>Label: Grundfos Blueflux            Minimum efficiency index, MEI : 0.70            ErP status: EuP Standalone/Prod.            Net weight: 83 kg            Gross weight: 100 kg            Shipping volume: 0.39 m<sup>3</sup></p>

## 96087628 TP 65-170/4 50 Hz



Description	Value
<b>General information:</b>	
Product name:	TP 65-170/4 A-F-A-BQQE
Product No:	96087628
EAN number:	5700395315936
<b>Technical:</b>	
Speed for pump data:	1455 rpm
Rated flow:	35.7 m <sup>3</sup> /h
Rated head:	14.2 m
Head max:	170 dm
Actual impeller diameter:	219 mm
Primary shaft seal:	BQQE
Curve tolerance:	ISO9906:2012 3B
Pump version:	A
Model:	A
<b>Materials:</b>	
Pump housing:	Cast iron EN-JL1040 ASTM A48-40 B
Impeller:	Cast iron EN-JL1030 ASTM A48-30 B
Material code:	A
<b>Installation:</b>	
Range of ambient temperature:	-30 .. 60 °C
Maximum operating pressure:	16 bar
Flange standard:	DIN
Connect code:	F
Pipe connection:	DN 65
Pump inlet:	DN 65
Pump outlet:	DN 65
Pressure stage:	PN 16
Port-to-port length:	475 mm
Flange size for motor:	FF215
<b>Liquid:</b>	
Pumped liquid:	Water
Liquid temperature range:	-25 .. 120 °C
Liquid temperature during operation:	20 °C
Density:	998.2 kg/m <sup>3</sup>
<b>Electrical data:</b>	
Motor type:	100LC
IE Efficiency class:	IE3
Rated power - P2:	3 kW
Power (P2) required by pump:	3 kW
Mains frequency:	50 Hz
Rated voltage:	3 x 380-415D V
Rated current:	6.3 A
Starting current:	700-770 %
Cos phi - power factor:	0,82-0,76
Rated speed:	1440-1450 rpm
Efficiency:	IE3 87,7%
Motor efficiency at full load:	87.7 %
Motor efficiency at 3/4 load:	86 %
Motor efficiency at 1/2 load:	84.5 %
Number of poles:	4





Company name:

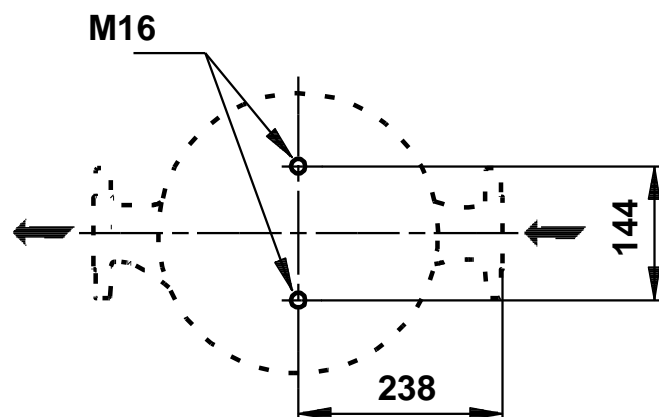
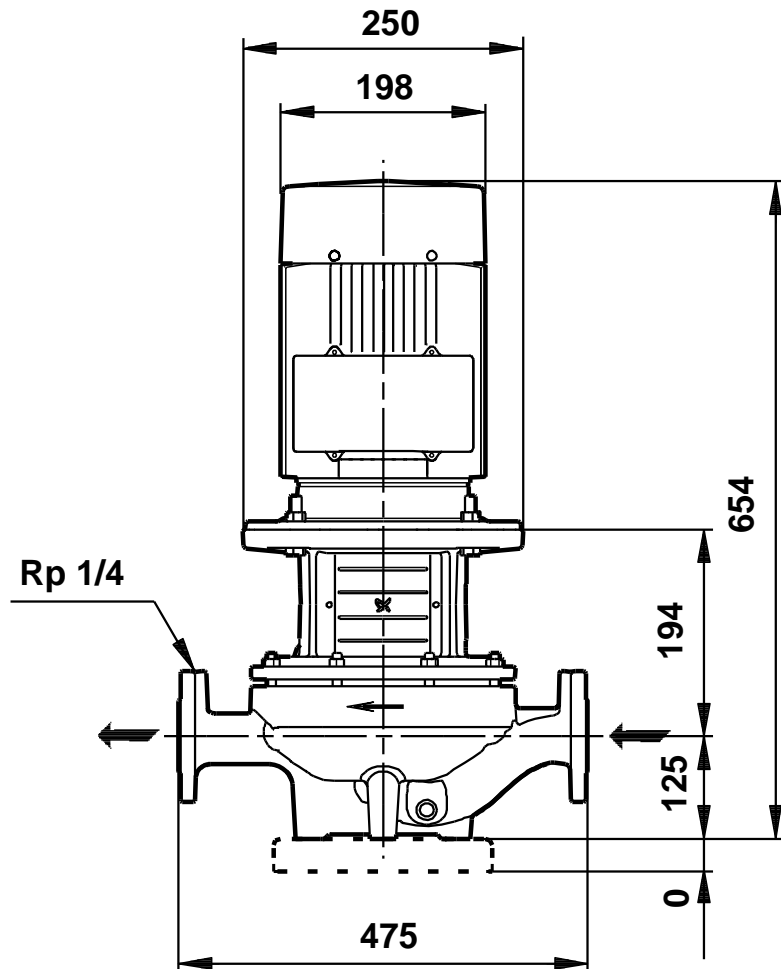
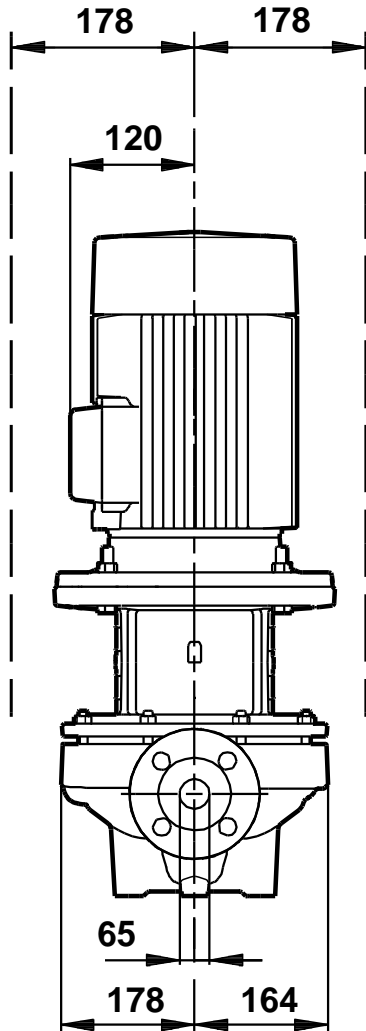
Created by:

Phone:

Date: 31/08/2017

Description	Value
Enclosure class (IEC 34-5):	55 Dust/Jetting
Insulation class (IEC 85):	F
Motor protec:	PTC
Motor No:	87272327
<b>Others:</b>	
Label:	Grundfos Blueflux
Minimum efficiency index, MEI :	0.70
ErP status:	EuP Standalone/Prod.
Net weight:	83 kg
Gross weight:	100 kg
Shipping volume:	0.39 m <sup>3</sup>

## 96087628 TP 65-170/4 50 Hz



Note! All units are in [mm] unless others are stated.  
Disclaimer: This simplified dimensional drawing does not show all details.

## 96087628 TP 65-170/4 50 Hz



IEC TP211 THERMALLY PROTECTED WHEN THE THERMISTORS ARE  
CONNECTED TO AMPLIFIER RELAY FOR CONTROL OF MAIN SUPPLY  
THERMISTORS PTC ACCORDING TO DIN 44082

Note! All units are in [mm] unless others are stated.