
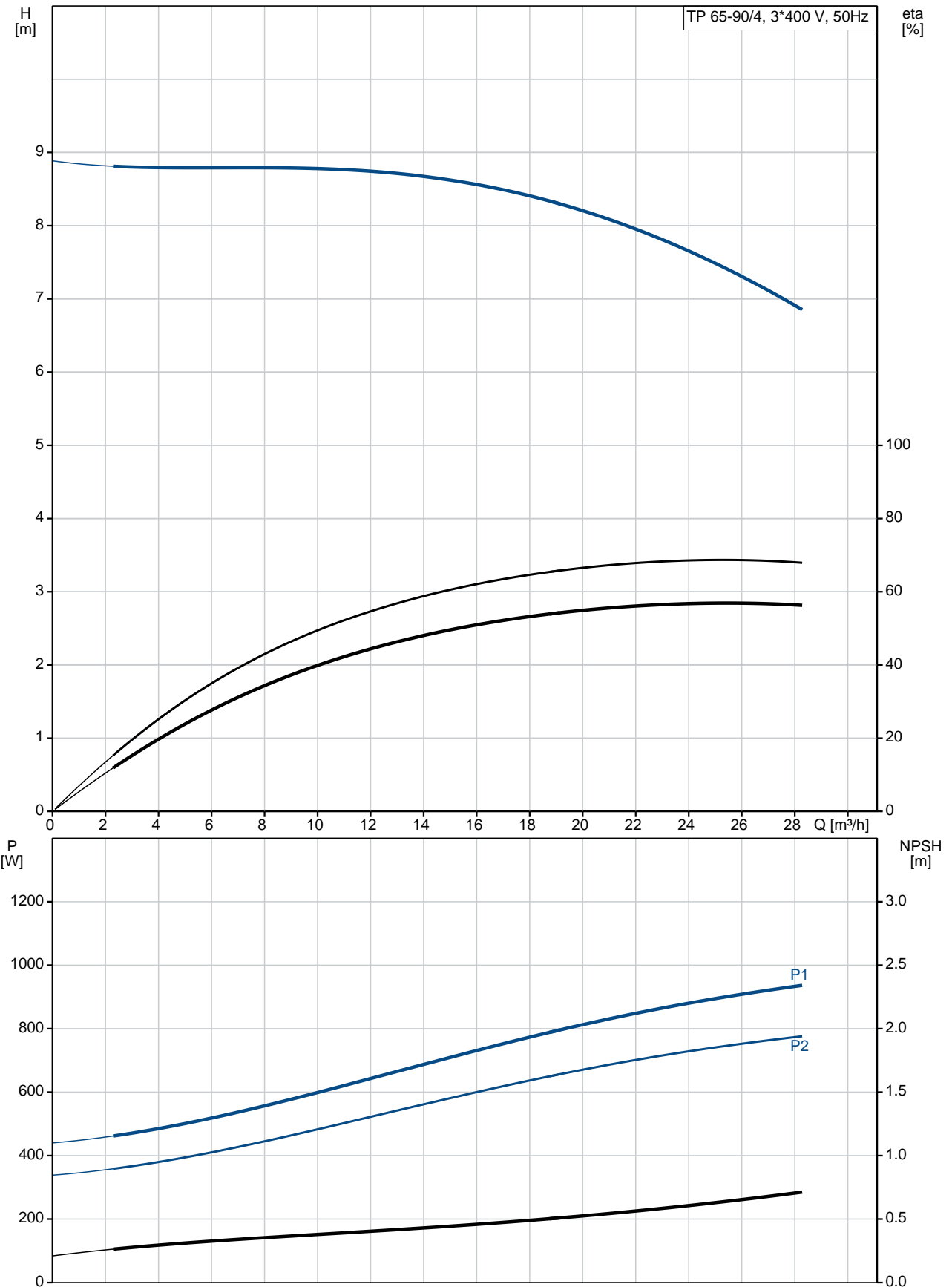


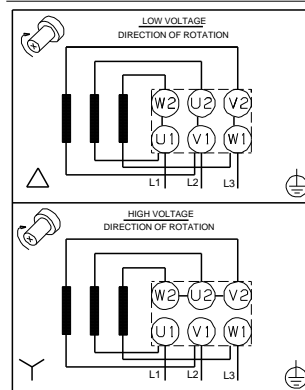
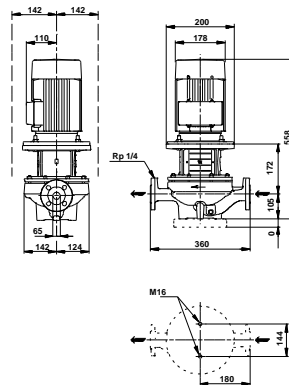
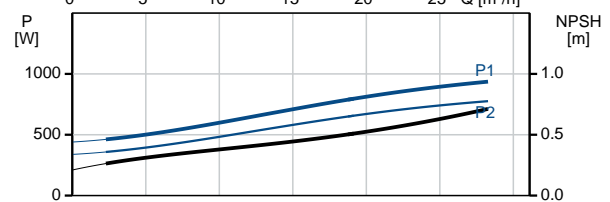
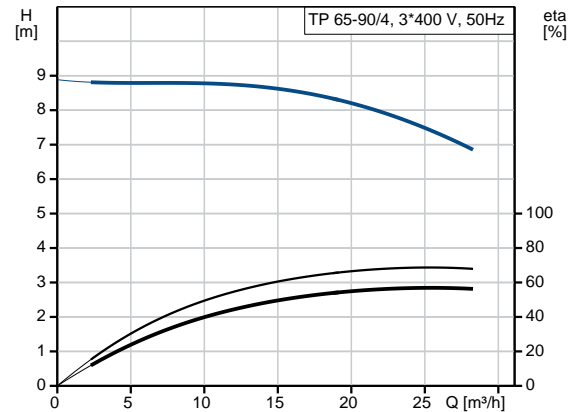
Position	Qty.	Description
	1	<p><b>TP 65-90/4 A-F-A-BQQE</b></p>  <p>Product No.: <a href="#">96087441</a></p> <p>Single-stage, close-coupled, volute pump with in-line suction and discharge ports of identical diameter. The pump is of the top-pull-out design, i.e. the power head (motor, pump head and impeller) can be removed for maintenance or service while the pump housing remains in the pipework.</p> <p>The pump is fitted with an unbalanced rubber bellows seal. The shaft seal is according to EN 12756. Pipework connection is via PN 16 DIN flanges (EN 1092-2 and ISO 7005-2).</p> <p>The pump is fitted with a fan-cooled asynchronous motor.</p> <p><b>Liquid:</b>  Pumped liquid: Water  Liquid temperature range: -25 .. 120 °C  Liquid temperature during operation: 20 °C  Density: 998.2 kg/m<sup>3</sup></p> <p><b>Technical:</b>  Speed for pump data: 1400 rpm  Rated flow: 25 m<sup>3</sup>/h  Rated head: 7.31 m  Actual impeller diameter: 162 mm  Primary shaft seal: BQQE  Curve tolerance: ISO9906:2012 3B</p> <p><b>Materials:</b>  Pump housing: Cast iron  EN-JL1040  ASTM A48-40 B  Impeller: Cast iron  EN-JL1030  ASTM A48-30 B</p> <p><b>Installation:</b>  Range of ambient temperature: -30 .. 60 °C  Maximum operating pressure: 16 bar  Flange standard: DIN  Pipe connection: DN 65  Pump inlet: DN 65  Pump outlet: DN 65  Pressure stage: PN 16  Port-to-port length: 360 mm  Flange size for motor: FF165</p> <p><b>Electrical data:</b>  Motor type: 90SC  IE Efficiency class: IE3  Rated power - P2: 0.75 kW  Power (P2) required by pump: 0.75 kW  Mains frequency: 50 Hz</p>

Position	Qty.	Description
		<p>Rated voltage: 3 x 220-240D/380-415Y V            Rated current: 3,30/1,90 A            Starting current: 620-670 %            Cos phi - power factor: 0,71-0,64            Rated speed: 1455-1463 rpm            Efficiency: IE3 82,5%            Motor efficiency at full load: 82.5 %            Motor efficiency at 3/4 load: 83.6 %            Motor efficiency at 1/2 load: 81.1 %            Number of poles: 4            Enclosure class (IEC 34-5): 55 Dust/Jetting            Insulation class (IEC 85): F</p> <p><b>Others:</b></p> <p>Label: Grundfos Blueflux            Minimum efficiency index, MEI : 0.70            ErP status: EuP Standalone/Prod.            Net weight: 56 kg            Gross weight: 70 kg            Shipping volume: 0.18 m<sup>3</sup>            Danish: VVS NO 38 1714.090</p>

## 96087441 TP 65-90/4 50 Hz



Description	Value
<b>General information:</b>	
Product name:	TP 65-90/4 A-F-A-BQQE
Product No:	96087441
EAN number:	5700395314076
<b>Technical:</b>	
Speed for pump data:	1400 rpm
Rated flow:	25 m <sup>3</sup> /h
Rated head:	7.31 m
Head max:	90 dm
Actual impeller diameter:	162 mm
Primary shaft seal:	BQQE
Curve tolerance:	ISO9906:2012 3B
Pump version:	A
Model:	A
<b>Materials:</b>	
Pump housing:	Cast iron EN-JL1040 ASTM A48-40 B
Impeller:	Cast iron EN-JL1030 ASTM A48-30 B
Material code:	A
<b>Installation:</b>	
Range of ambient temperature:	-30 .. 60 °C
Maximum operating pressure:	16 bar
Flange standard:	DIN
Connect code:	F
Pipe connection:	DN 65
Pump inlet:	DN 65
Pump outlet:	DN 65
Pressure stage:	PN 16
Port-to-port length:	360 mm
Flange size for motor:	FF165
<b>Liquid:</b>	
Pumped liquid:	Water
Liquid temperature range:	-25 .. 120 °C
Liquid temperature during operation:	20 °C
Density:	998.2 kg/m <sup>3</sup>
<b>Electrical data:</b>	
Motor type:	90SC
IE Efficiency class:	IE3
Rated power - P2:	0.75 kW
Power (P2) required by pump:	0.75 kW
Mains frequency:	50 Hz
Rated voltage:	3 x 220-240D/380-415Y V
Rated current:	3,30/1,90 A
Starting current:	620-670 %
Cos phi - power factor:	0,71-0,64
Rated speed:	1455-1463 rpm
Efficiency:	IE3 82,5%
Motor efficiency at full load:	82.5 %
Motor efficiency at 3/4 load:	83.6 %
Motor efficiency at 1/2 load:	81.1 %
Number of poles:	4





Company name:

Created by:

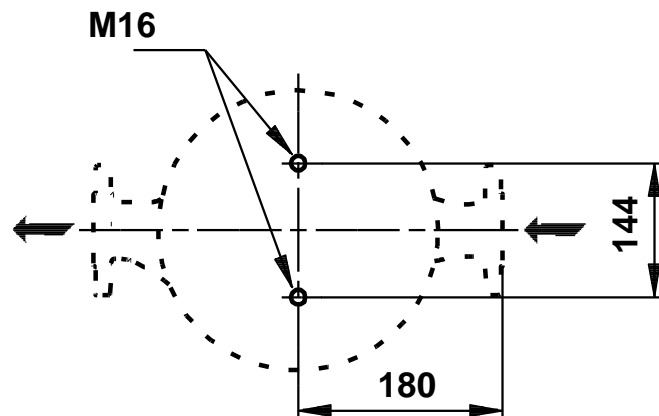
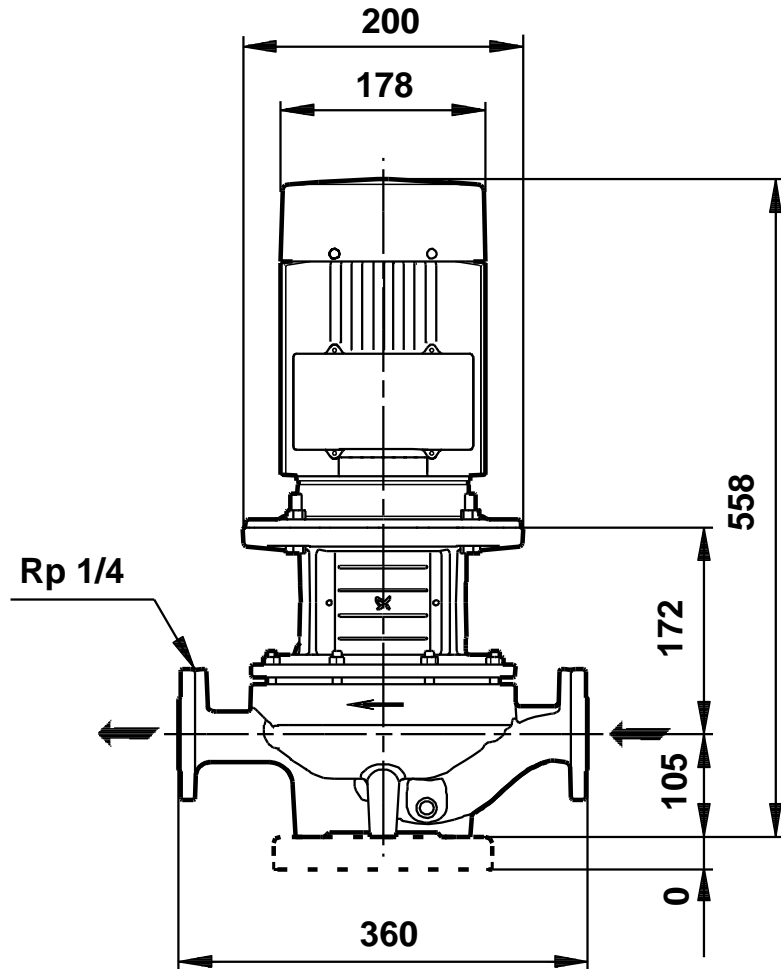
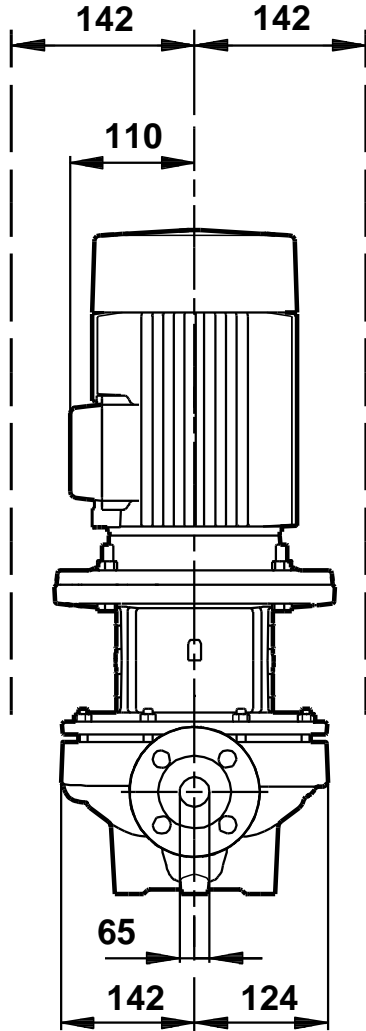
Phone:

Date:

31/08/2017

Description	Value
Enclosure class (IEC 34-5):	55 Dust/Jetting
Insulation class (IEC 85):	F
Motor protec:	NONE
Motor No:	87120313
<b>Others:</b>	
Label:	Grundfos Blueflux
Minimum efficiency index, MEI :	0.70
ErP status:	EuP Standalone/Prod.
Net weight:	56 kg
Gross weight:	70 kg
Shipping volume:	0.18 m <sup>3</sup>
Danish:	VVS NO 38 1714.090

**96087441 TP 65-90/4 50 Hz**



Note! All units are in [mm] unless others are stated.  
Disclaimer: This simplified dimensional drawing does not show all details.

**96087441 TP 65-90/4 50 Hz**



Note! All units are in [mm] unless others are stated.