
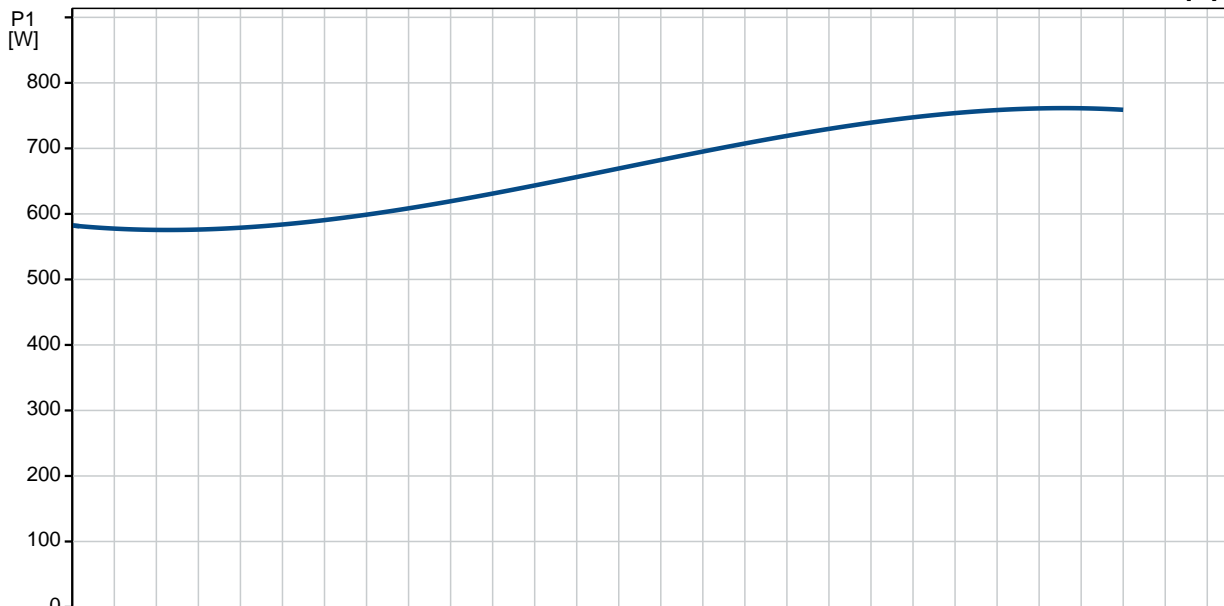
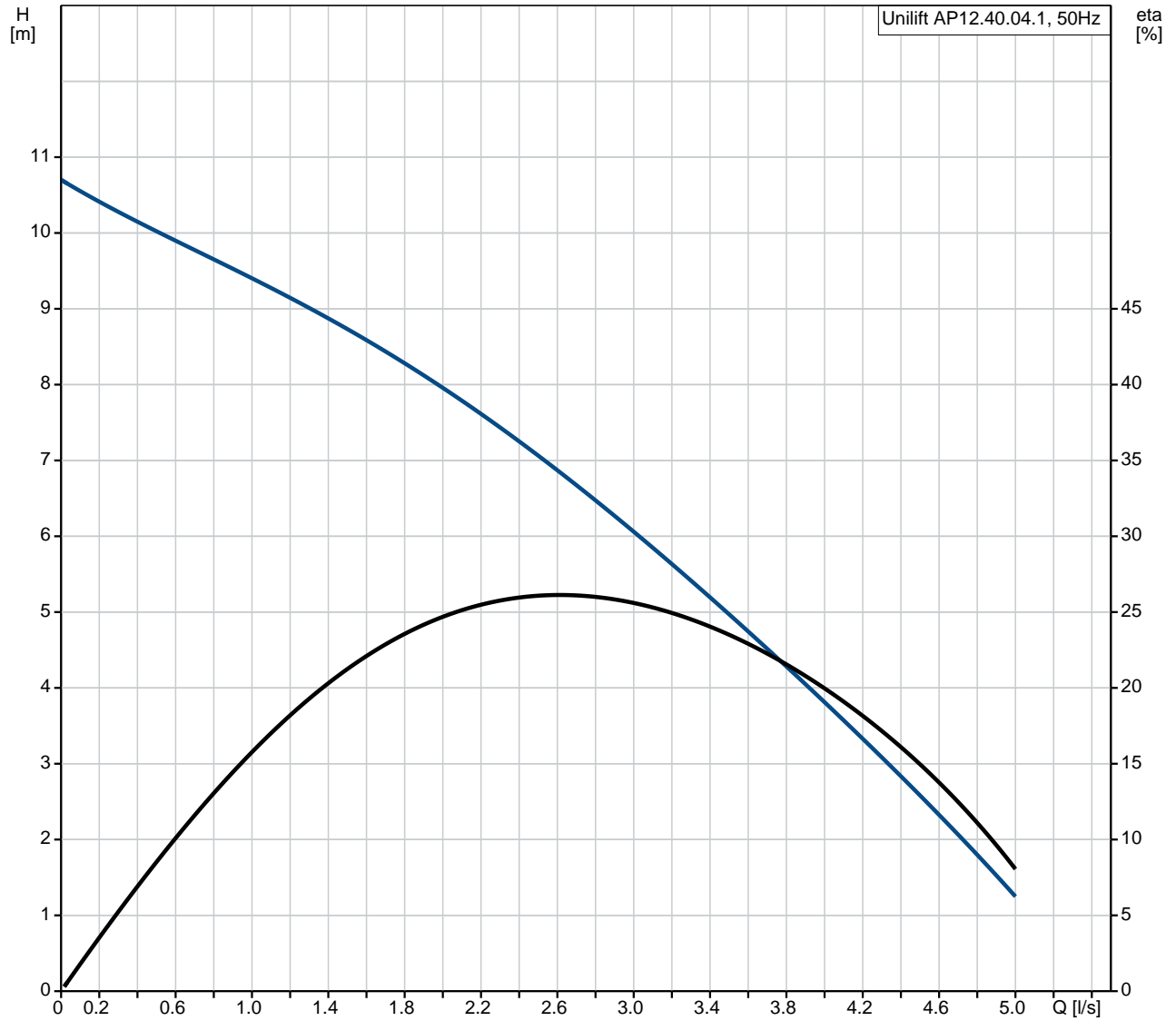


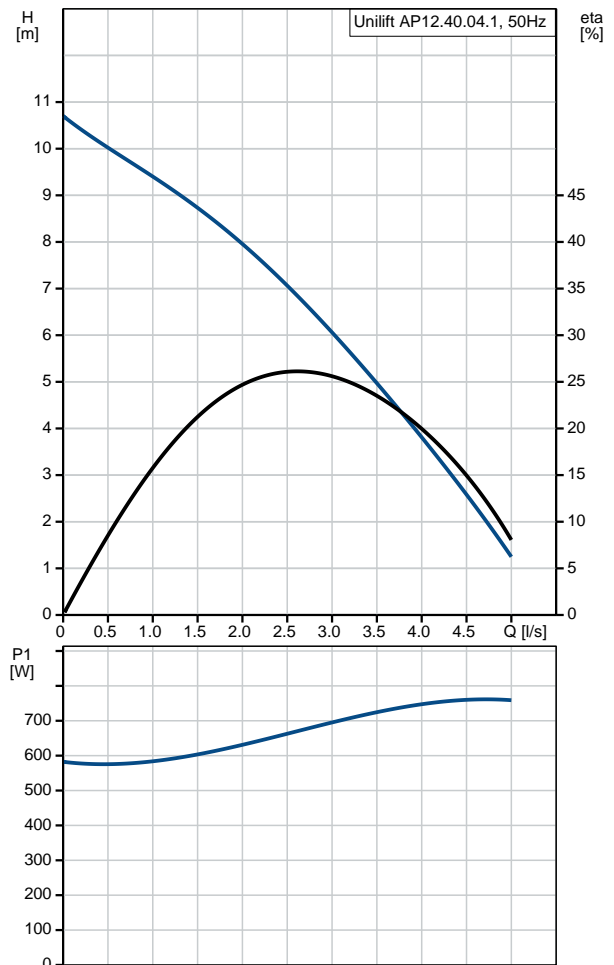
Position	Qty.	Description
	1	<p><b>Unilift AP12.40.04.1</b></p>  <p style="text-align: right;"><b>Note! Product picture may differ from actual product</b></p> <p>Product No.: <a href="#">96011014</a> Submersible drainage pump type</p> <p>Vertical single-stage stainless steel submersible pump with vertical discharge port and integrated submersible 1-phase totally enclosed motor in insulation class F with thermal overload protection. The pump is fitted with a suction strainer.</p> <p>The impeller is a SEMI OPEN impeller for 12 mm free passage suitable for pumping groundwater, surface water, rain water and similar.</p> <p>The pump has a double shaft seal and an intermediate oil chamber pre-filled with non-toxic special oil.</p> <p>The pump has a riser pipe, a cooling jacket for continuous cooling of the motor by the pumped liquid and long-life deep-groove greased-for-life ball bearings.</p> <p>The pump is ready for use as it is fitted with carrying handle and is supplied with a 10 m mains cable. The mains cable is of the plug type with glass sealing compound in the socket to prevent penetration of humidity into the stator windings.</p> <p><b>Liquid:</b> Pumped liquid: Any Newtonian liquid Liquid temperature range: 0 .. 55 °C Density: 998.2 kg/m<sup>3</sup></p> <p><b>Technical:</b> Type of impeller: SEMI OPEN Maximum particle size: 12 mm</p> <p><b>Materials:</b> Pump housing: Stainless steel DIN W.-Nr. 1.4301 AISI 304</p>

Position	Qty.	Description
		<p>Impeller: Stainless steel DIN W.-Nr. 1.4301 AISI 304</p> <p><b>Installation:</b> Pump outlet: Rp 1 1/2 Maximum installation depth: 7 m</p> <p><b>Electrical data:</b> Type of motor: PSC C run: 12 µF Power input - P1: 0.7 kW Mains frequency: 50 Hz Rated voltage: 1 x 230 V Rated current: 3 A Cos phi - power factor: 0,99 Rated speed: 2770 rpm Capacitor size - run: 12 µF/400 V Enclosure class (IEC 34-5): IP68 Insulation class (IEC 85): F Length of cable: 10 m Type of cable plug: NONE</p> <p><b>Others:</b> Net weight: 10.4 kg Gross weight: 11.4 kg</p>

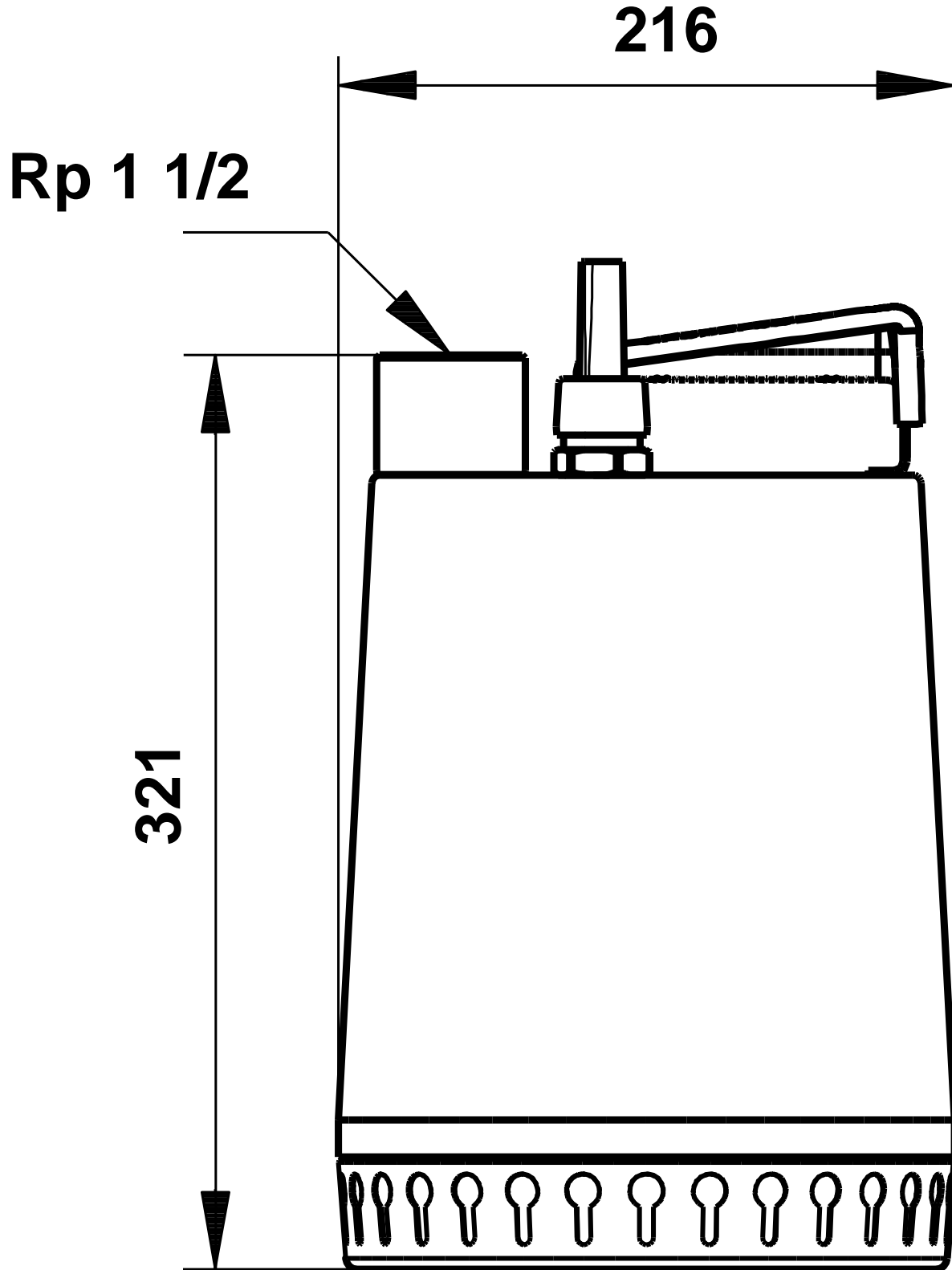
## 96011014 Unilift AP12.40.04.1 50 Hz



Description	Value
<b>General information:</b>	
Product name:	Unilift AP12.40.04.1
Product No:	96011014
EAN number:	5700390901530
<b>Technical:</b>	
Max flow:	3.89 l/s
Head max:	10 m
Type of impeller:	SEMI OPEN
Maximum particle size:	12 mm
<b>Materials:</b>	
Pump housing:	Stainless steel DIN W.-Nr. 1.4301 AISI 304
Impeller:	Stainless steel DIN W.-Nr. 1.4301 AISI 304
<b>Installation:</b>	
Pump outlet:	Rp 1 1/2
Maximum installation depth:	7 m
Inst dry/wet:	D/S
Installation:	horizontal or vertical
<b>Liquid:</b>	
Pumped liquid:	Any Newtonian liquid
Liquid temperature range:	0 .. 55 °C
Density:	998.2 kg/m <sup>3</sup>
<b>Electrical data:</b>	
Type of motor:	PSC
C run:	12 µF
Power input - P1:	0.7 kW
P2:	0.4 kW
Mains frequency:	50 Hz
Rated voltage:	1 x 230 V
Rated current:	3 A
Cos phi - power factor:	0,99
Rated speed:	2770 rpm
Capacitor size - run:	12 µF/400 V
Enclosure class (IEC 34-5):	IP68
Insulation class (IEC 85):	F
Motor protec:	CONTACT
Thermal protec:	internal
Length of cable:	10 m
Type of cable plug:	NONE
<b>Others:</b>	
Net weight:	10.4 kg
Gross weight:	11.4 kg



**96011014 Unilift AP12.40.04.1 50 Hz**



Note! All units are in [mm] unless others are stated.  
Disclaimer: This simplified dimensional drawing does not show all details.

**96011014 Unilift AP12.40.04.1 50 Hz**



Note! All units are in [mm] unless others are stated.