


| Position | Qty. | Description | | | | | | | | | | | | | | | | | | | | | | | | | | | | | | | | | | | | |
|------------------------------|--------------------------------------|--|----------------|-------|---------------------------|---------------|--------------|-------|----------|-------------------------|-----------|-----|---------------|--------------------------------------|-----------|-------------------|------------------------------|-------|-----------------------------|--------|------------------|---------|-----------------|-------|----------------------|--------|--------|--------|-------------------------|------|-------------------------|------|-------------------|------|------------------|-------|----------------|-----------|
| | 1 | <p>UPS 25-55 N 180</p>  <p style="text-align: center;">Note! Product picture may differ from actual product</p> <p>Product No.: 95906772</p> <p>The pump is of the canned rotor type, i.e. pump and motor form an integral unit without shaft seal and with only two gaskets for sealing. The bearings are lubricated by the pumped liquid. The pump has 3-step speed selector. The pump is characterized by:</p> <ul style="list-style-type: none"> * Ceramic shaft and radial bearings. * Carbon axial bearing. * Stainless steel rotor can and bearing plate. * Corrosion-resistant impeller, Composite, PES/PP. * Stainless steel pump housing. <p>The motor is a 1-phase motor. No additional motor protection is required.</p> <p>Liquid:</p> <table> <tr> <td>Pumped liquid:</td> <td>Water</td> </tr> <tr> <td>Liquid temperature range:</td> <td>-25 .. 110 °C</td> </tr> <tr> <td>Liquid temp:</td> <td>60 °C</td> </tr> <tr> <td>Density:</td> <td>983.2 kg/m³</td> </tr> </table> <p>Technical:</p> <table> <tr> <td>TF class:</td> <td>110</td> </tr> </table> <p>Materials:</p> <table> <tr> <td>Pump housing:</td> <td>Stainless steel DIN W.-Nr. 1.4301</td> </tr> <tr> <td>Impeller:</td> <td>Composite, PES/PP</td> </tr> </table> <p>Installation:</p> <table> <tr> <td>Amb. max at 80 dgr C liquid:</td> <td>40 °C</td> </tr> <tr> <td>Maximum operating pressure:</td> <td>10 bar</td> </tr> <tr> <td>Pipe connection:</td> <td>G 1 1/2</td> </tr> <tr> <td>Pressure stage:</td> <td>PN 10</td> </tr> <tr> <td>Port-to-port length:</td> <td>180 mm</td> </tr> </table> <p>Electrical data:</p> <table> <tr> <td>C run:</td> <td>2.5 µF</td> </tr> <tr> <td>Power input in speed 1:</td> <td>65 W</td> </tr> <tr> <td>Power input in speed 2:</td> <td>80 W</td> </tr> <tr> <td>Max. power input:</td> <td>85 W</td> </tr> <tr> <td>Mains frequency:</td> <td>50 Hz</td> </tr> <tr> <td>Rated voltage:</td> <td>1 x 230 V</td> </tr> </table> | Pumped liquid: | Water | Liquid temperature range: | -25 .. 110 °C | Liquid temp: | 60 °C | Density: | 983.2 kg/m ³ | TF class: | 110 | Pump housing: | Stainless steel DIN W.-Nr. 1.4301 | Impeller: | Composite, PES/PP | Amb. max at 80 dgr C liquid: | 40 °C | Maximum operating pressure: | 10 bar | Pipe connection: | G 1 1/2 | Pressure stage: | PN 10 | Port-to-port length: | 180 mm | C run: | 2.5 µF | Power input in speed 1: | 65 W | Power input in speed 2: | 80 W | Max. power input: | 85 W | Mains frequency: | 50 Hz | Rated voltage: | 1 x 230 V |
| Pumped liquid: | Water | | | | | | | | | | | | | | | | | | | | | | | | | | | | | | | | | | | | | |
| Liquid temperature range: | -25 .. 110 °C | | | | | | | | | | | | | | | | | | | | | | | | | | | | | | | | | | | | | |
| Liquid temp: | 60 °C | | | | | | | | | | | | | | | | | | | | | | | | | | | | | | | | | | | | | |
| Density: | 983.2 kg/m ³ | | | | | | | | | | | | | | | | | | | | | | | | | | | | | | | | | | | | | |
| TF class: | 110 | | | | | | | | | | | | | | | | | | | | | | | | | | | | | | | | | | | | | |
| Pump housing: | Stainless steel DIN W.-Nr. 1.4301 | | | | | | | | | | | | | | | | | | | | | | | | | | | | | | | | | | | | | |
| Impeller: | Composite, PES/PP | | | | | | | | | | | | | | | | | | | | | | | | | | | | | | | | | | | | | |
| Amb. max at 80 dgr C liquid: | 40 °C | | | | | | | | | | | | | | | | | | | | | | | | | | | | | | | | | | | | | |
| Maximum operating pressure: | 10 bar | | | | | | | | | | | | | | | | | | | | | | | | | | | | | | | | | | | | | |
| Pipe connection: | G 1 1/2 | | | | | | | | | | | | | | | | | | | | | | | | | | | | | | | | | | | | | |
| Pressure stage: | PN 10 | | | | | | | | | | | | | | | | | | | | | | | | | | | | | | | | | | | | | |
| Port-to-port length: | 180 mm | | | | | | | | | | | | | | | | | | | | | | | | | | | | | | | | | | | | | |
| C run: | 2.5 µF | | | | | | | | | | | | | | | | | | | | | | | | | | | | | | | | | | | | | |
| Power input in speed 1: | 65 W | | | | | | | | | | | | | | | | | | | | | | | | | | | | | | | | | | | | | |
| Power input in speed 2: | 80 W | | | | | | | | | | | | | | | | | | | | | | | | | | | | | | | | | | | | | |
| Max. power input: | 85 W | | | | | | | | | | | | | | | | | | | | | | | | | | | | | | | | | | | | | |
| Mains frequency: | 50 Hz | | | | | | | | | | | | | | | | | | | | | | | | | | | | | | | | | | | | | |
| Rated voltage: | 1 x 230 V | | | | | | | | | | | | | | | | | | | | | | | | | | | | | | | | | | | | | |



Company name:

Created by:

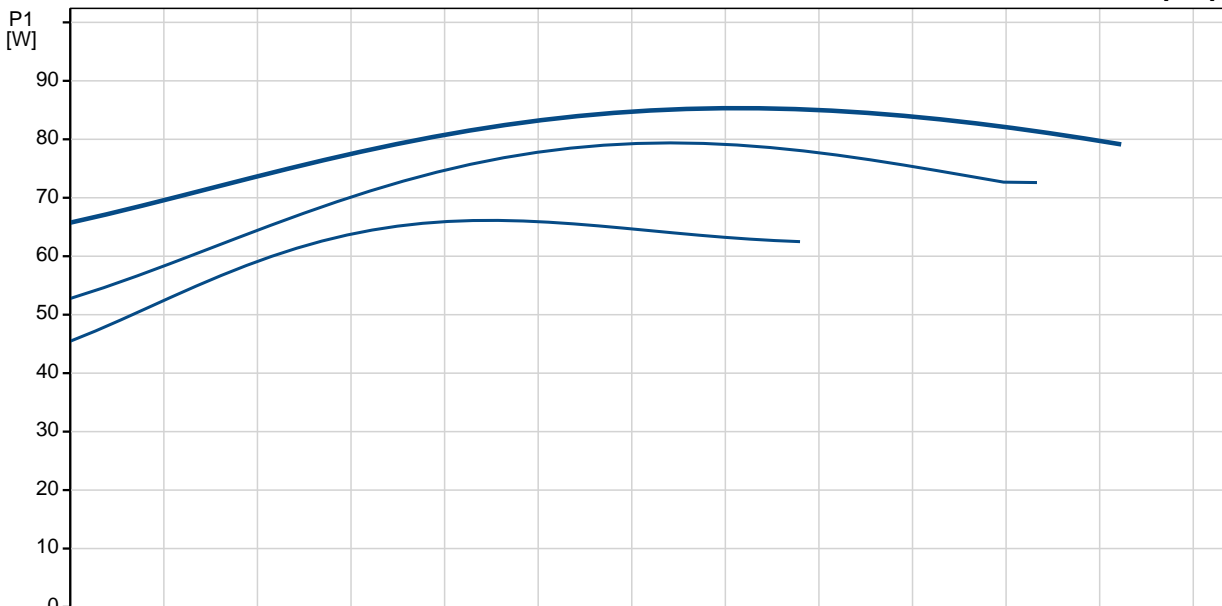
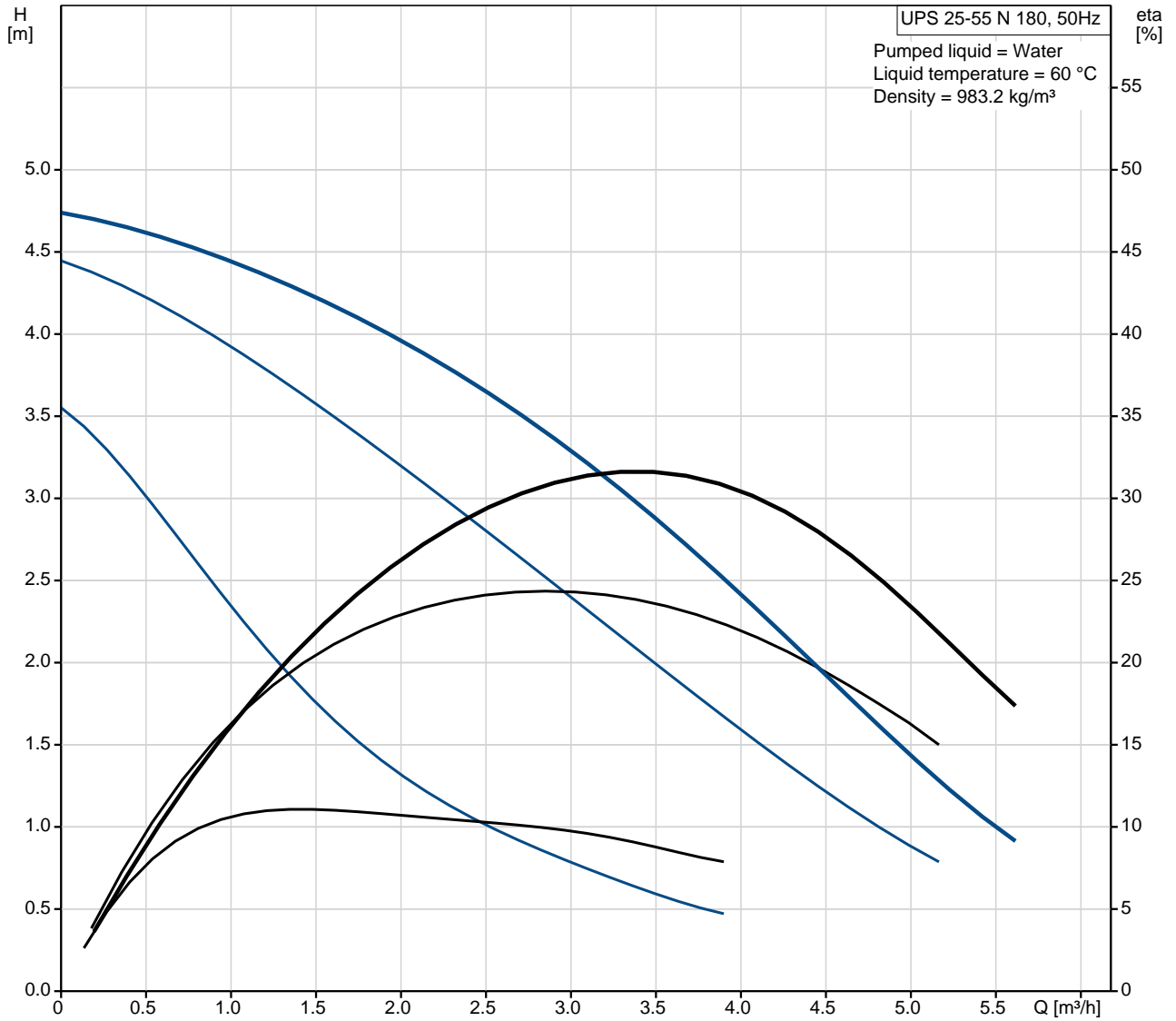
Phone:

Date:

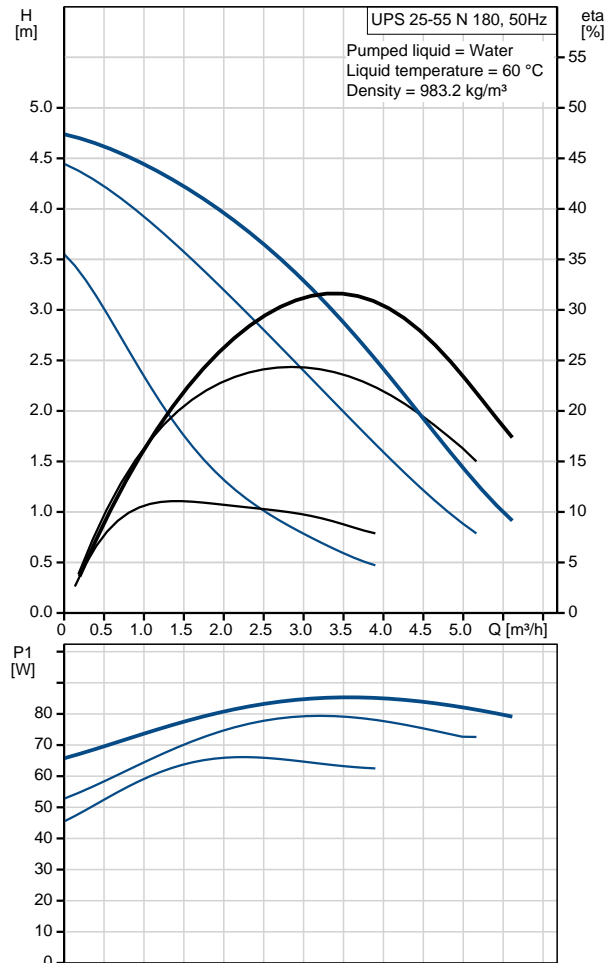
20/01/2017

| Position | Qty. | Description |
|----------|------|---|
| | | Current in speed 1: 0.3 A Current in speed 2: 0.36 A Current in speed 3: 0.38 A Capacitor size - run: 2.5 μ F Enclosure class (IEC 34-5): X2D Insulation class (IEC 85): F |
| | | Others: Net weight: 4.6 kg Gross weight: 4.7 kg Shipping volume: 0.008 m ³ |

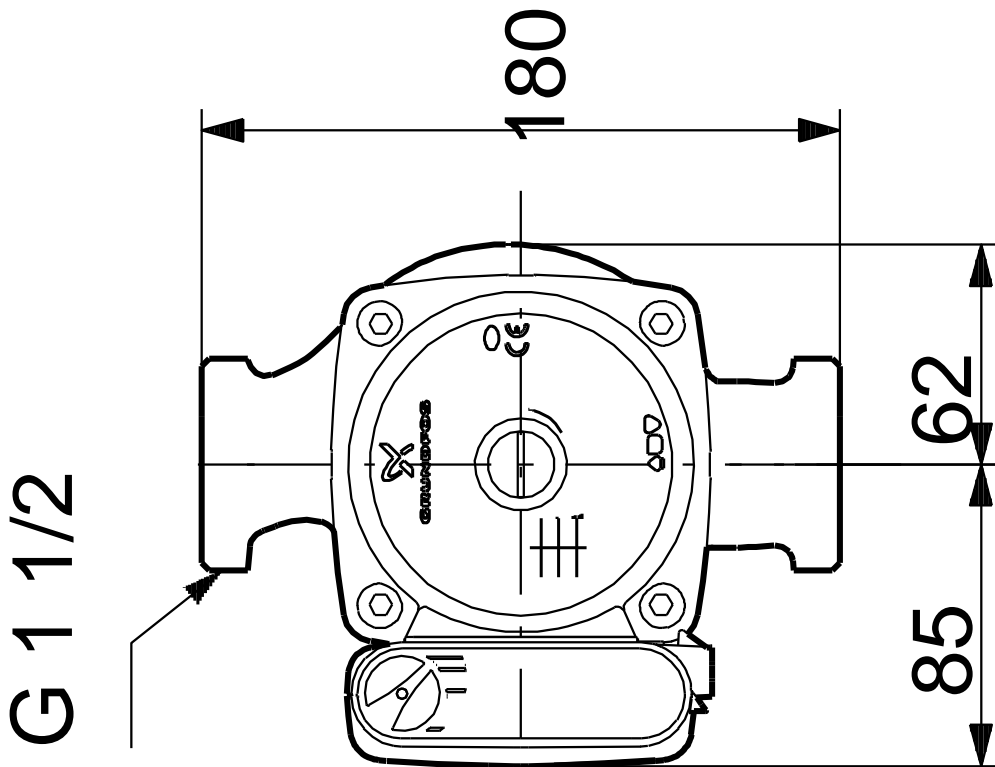
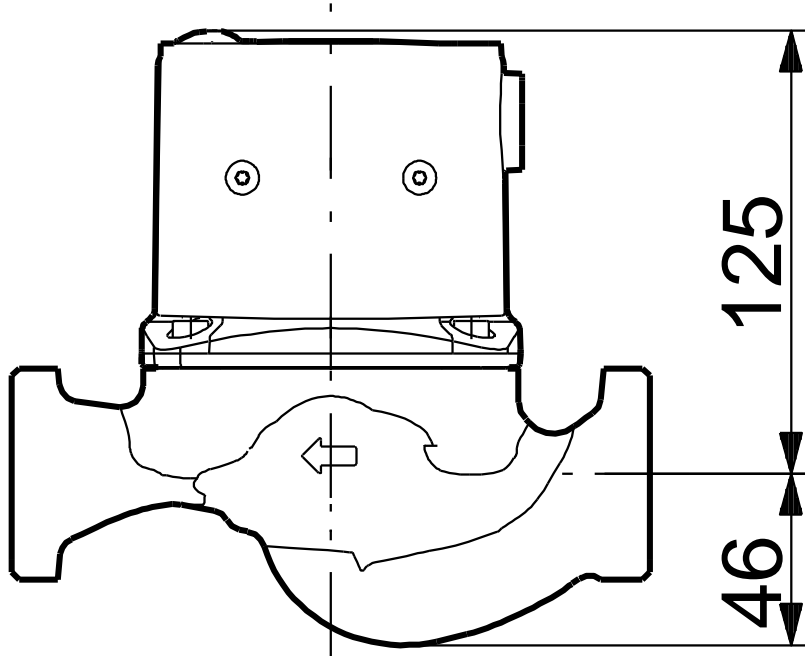
95906772 UPS 25-55 N 180 50 Hz



| Description | Value |
|------------------------------|-------------------------|
| General information: | |
| Product name: | UPS 25-55 N 180 |
| Product No: | 95906772 |
| EAN number: | 5700318352123 |
| Price: | On request |
| Technical: | |
| Speed no: | 3 |
| Head max: | 55 dm |
| TF class: | 110 |
| Materials: | |
| Pump housing: | Stainless steel |
| | DIN W.-Nr. 1.4301 |
| Impeller: | Composite, PES/PP |
| Installation: | |
| Amb. max at 80 dgr C liquid: | 40 °C |
| Maximum operating pressure: | 10 bar |
| Pipe connection: | G 1 1/2 |
| Pressure stage: | PN 10 |
| Port-to-port length: | 180 mm |
| Liquid: | |
| Pumped liquid: | Water |
| Liquid temperature range: | -25 .. 110 °C |
| Liquid temp: | 60 °C |
| Density: | 983.2 kg/m ³ |
| Electrical data: | |
| C run: | 2.5 µF |
| Power input in speed 1: | 65 W |
| Power input in speed 2: | 80 W |
| Max. power input: | 85 W |
| Mains frequency: | 50 Hz |
| Rated voltage: | 1 x 230 V |
| Current in speed 1: | 0.3 A |
| Current in speed 2: | 0.36 A |
| Current in speed 3: | 0.38 A |
| Capacitor size - run: | 2.5 µF |
| Enclosure class (IEC 34-5): | X2D |
| Insulation class (IEC 85): | F |
| Motor protec: | CONTACT |
| Thermal protec: | internal |
| Controls: | |
| Pos term box: | 9H |
| Others: | |
| Net weight: | 4.6 kg |
| Gross weight: | 4.7 kg |
| Shipping volume: | 0.008 m ³ |
| Country code: | GB |



95906772 UPS 25-55 N 180 50 Hz



Note! All units are in [mm] unless others are stated.
Disclaimer: This simplified dimensional drawing does not show all details.

95906772 UPS 25-55 N 180 50 Hz



Note! All units are in [mm] unless others are stated.