

Performance according to ISO 9906:2012 – Grade 3B

Power data referred to:

Water, pure [100%]; 4°C; 1000kg/m³; 1.57mm²/s

Liquid temperature:

-10°C (14°F) to +110 °C (230°F) for heating pumps

-10°C (14°F) to +85 °C (185°F) for domestic hot water pumps



Pump data

Make	Lowara
Port to port (mm)	180
Electrical connection	PLUG
Specific EEI	<= 0,23
Nominal pressure	PN 6/10
Connection	Threaded pipe / G 2 – Rp 1 ¼

Electrical data

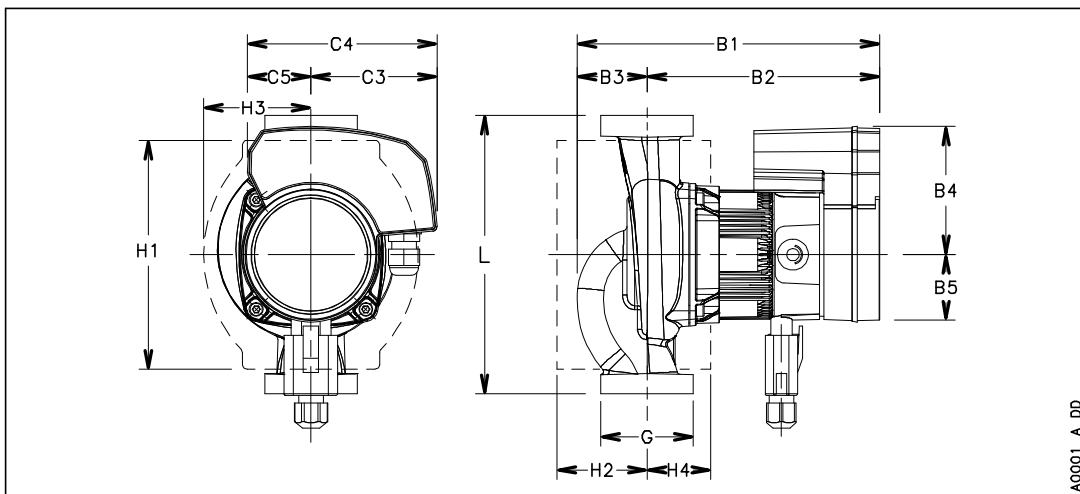
Rated voltage	230 V
Frequency	50 / 60
Protection class	IP 44
Insulation class	F
Digital input	Contact load: 5V, 10 mA
Digital output	Vmax < 250 VAC / Imax < 2 A
Analog input	0-10 V / 4-20 mA
Leakage current	< 3.5 mA
Communication capabilities	Modbus RTU
Sound pressure level	<= 38 dB(A)
Rated current	0.5 A

Materials

Bush Bearing	Carbon, resin impregnated	Impeller	PPO
Mech.seal ball 1/2"	Aluminium	Neck ring	Stainless steel
Casing plate	Stainless steel	Rotor can	Stainless steel
Motor housing	Aluminum	Shaft	Stainless steel
O-rings	EPDM	Control box	Poly carbonate
PUMP HOUSING	Stainless steel		

Dimensions mm

B1	191
B2	145
B3	46
B4	83
B5	43
C3	81
C4	120
C5	39
G	G 2 – Rp 1 ¼
Gross Weight	3.9
H1	148
H2	59
H3	74
H4	40
L	180
Net Weight	3



A0001_A_DD