

mainsboost

Mainsboost Flomate MBF 12

Suitable for low occupancy properties with typically one bathroom. The Mainsboost Flomate MBF 12 pump is designed to be connected directly to the incoming mains and will deliver an additional 1.5 bar pressure to the existing mains pressure and a maximum flow rate of 12 litres minute.

The pump will start automatically when a flow rate of 0.6 litres per minute or more exists.

The pump also features a built-in bypass, meaning that when the mains pressure exceeds 1.5 bar, the additional performance is not restricted.

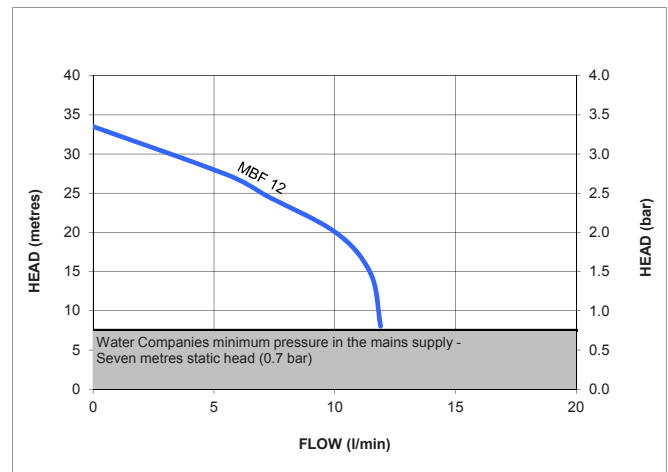


Features

- WRAS approved
- Robust brass construction
- Continuously rated
- EPDM/PTFE/Al. Oxide seal
- Pre-wired with 1.5 metre power cable
- Anti-vibration feet
- 3 year guarantee (subject to conditions)
- Automatic switching
- Max. flow 12 l/min
- Easy installation

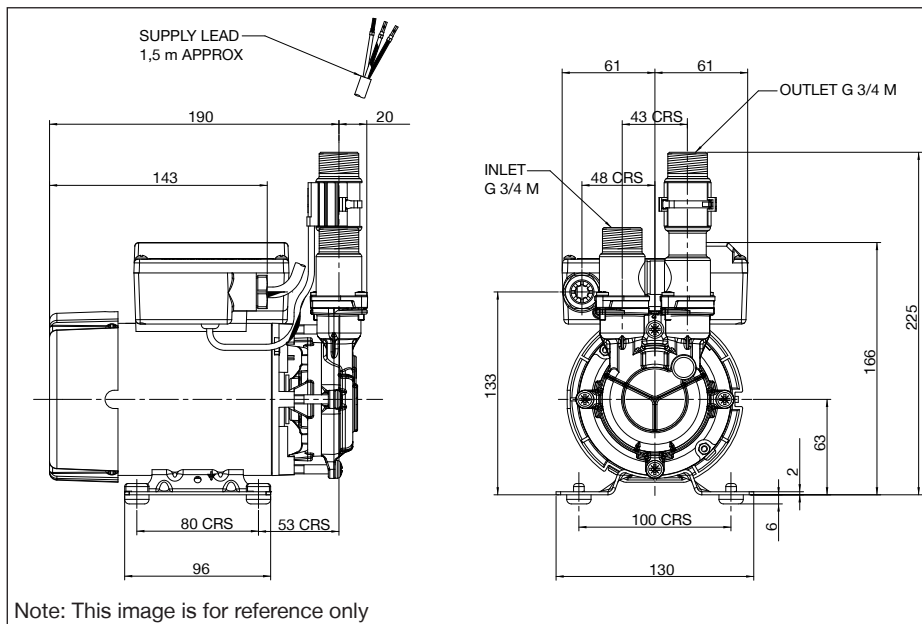
Application

- At times when there is insufficient mains water pressure Mainsboost Flomate is designed to ensure that the pump will deliver an additional 1.5 bar to any existing mains pressure at a maximum flow rate of 12 l/min.



mainsboost

Pump Model		MBF 12 46574
General	Guarantee	3 years
	WRAS approval	1711704
Features	Pump type	Peripheral
	Mechanical seal	EPDM / PTFE / Al. Oxide
	Anti-vibration feet	✓
	Dry run protection	✓
Materials	Pump body	Brass
	Impeller	Brass
Performance	Maximum head (closed valve)	3.2 bar
	Maximum flow	12 l/min
	Maximum working pressure*	600 kPa (6 bar)
	Maximum ambient air temperature	40 °C
	Min / Max water temperature	Min 4 °C / Max 35 °C
Connections	Flow switch sensitivity (approx)	0.6 l/min
	Pump connections	G 3/4 male
Motor	Type	Induction, auto-reset thermal trip
	Duty rating	Continuous (S1)
Electrical	Power supply / phase / frequency	230 V a.c. / 1 / 50 Hz
	Current (full load)	1.5 Amps
	Power consumption	340 Watts
	Fuse rating	5 Amps
	Power cable (pre-wired)	1.5 metres
Physical	Enclosure protection	IPX4
	Length	210 mm
	Width	130 mm
	Height (excluding hoses)	231 mm
	Weight (including fittings)	5.2 Kg



* The maximum pressure that can be applied to the pump under any installation conditions.

Note: This image is for reference only

Stuart Turner Limited reserves the right to amend specifications without notice.