
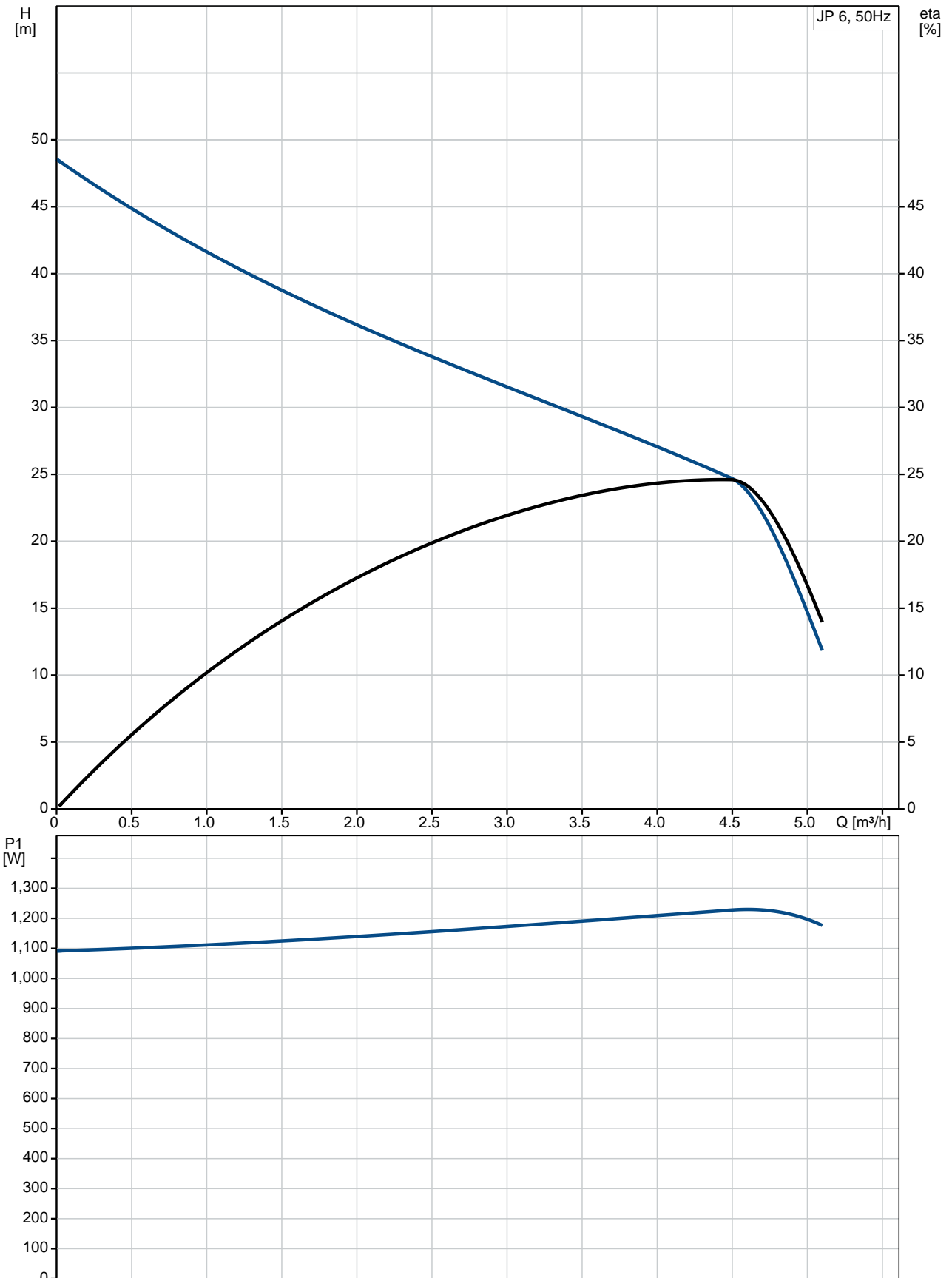
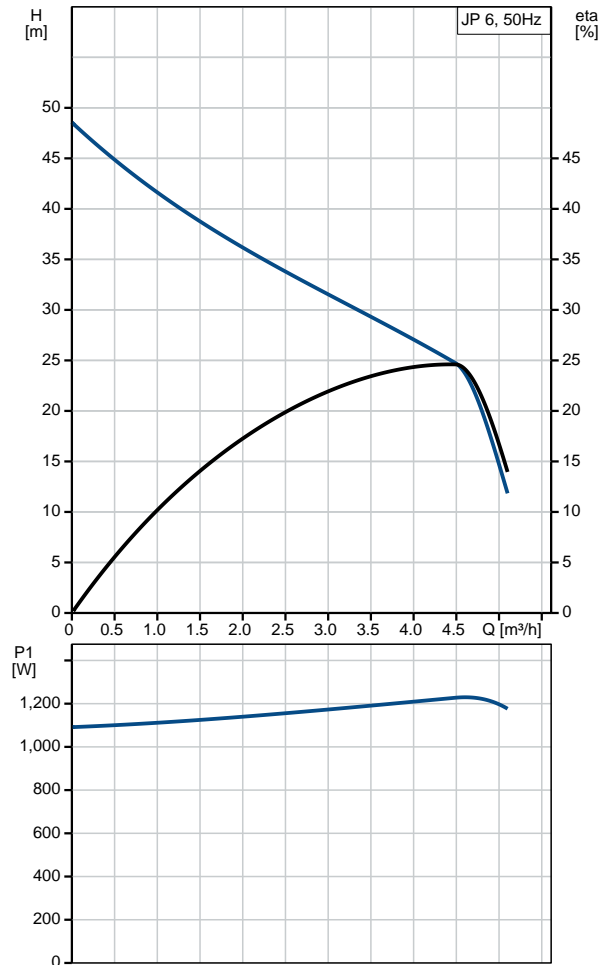


Qty.	Description																																				
1	<p data-bbox="199 340 383 362">JP 6 A-A-CVBP</p> <div data-bbox="303 436 486 593" style="text-align: center;">  </div> <p data-bbox="199 660 558 716">Product No.: 46610011 Horizontal self-priming jet pump.</p> <p data-bbox="199 750 702 862">Self-priming single-stage centrifugal jet pump with axial suction port and radial discharge port close-coupled with a single-phase motor with thermal overload protection.</p> <p data-bbox="199 896 805 929">Pump and motor are mounted on a common baseplate.</p> <p data-bbox="199 952 702 1008">The pump has a mechanical carbon/ceramics shaft seal.</p> <p data-bbox="199 1041 287 1075">Liquid:</p> <table data-bbox="199 1075 702 1198"> <tr><td>Pumped liquid:</td><td>Water</td></tr> <tr><td>Liquid temperature range:</td><td>0 .. 40 °C</td></tr> <tr><td>Liquid temperature during operation:</td><td>20 °C</td></tr> <tr><td>Density:</td><td>998.2 kg/m³</td></tr> </table> <p data-bbox="199 1220 327 1254">Technical:</p> <table data-bbox="199 1254 638 1288"> <tr><td>Primary shaft seal:</td><td>CVBP</td></tr> </table> <p data-bbox="199 1310 319 1344">Materials:</p> <table data-bbox="199 1344 774 1523"> <tr><td>Pump housing:</td><td>Stainless steel DIN W.-Nr. 1.4301 AISI 304</td></tr> <tr><td>Impeller:</td><td>Stainless steel DIN W.-Nr. 1.4301 AISI 304</td></tr> </table> <p data-bbox="199 1545 343 1579">Installation:</p> <table data-bbox="199 1579 678 1646"> <tr><td>Range of ambient temperature:</td><td>0 .. 40 °C</td></tr> <tr><td>Maximum operating pressure:</td><td>6 bar</td></tr> </table> <p data-bbox="199 1668 383 1702">Electrical data:</p> <table data-bbox="199 1702 710 1881"> <tr><td>Power input - P1:</td><td>1400 W</td></tr> <tr><td>Phase:</td><td>1</td></tr> <tr><td>Capacitor size - run:</td><td>25 µF/400 V</td></tr> <tr><td>Enclosure class (IEC 34-5):</td><td>IP44</td></tr> <tr><td>Insulation class (IEC 85):</td><td>F</td></tr> <tr><td>Type of cable plug:</td><td>NONE</td></tr> </table> <p data-bbox="199 1904 295 1937">Others:</p> <table data-bbox="199 1937 670 2027"> <tr><td>Net weight:</td><td>11.8 kg</td></tr> <tr><td>Gross weight:</td><td>12.7 kg</td></tr> <tr><td>Shipping volume:</td><td>0.026 m³</td></tr> </table>	Pumped liquid:	Water	Liquid temperature range:	0 .. 40 °C	Liquid temperature during operation:	20 °C	Density:	998.2 kg/m ³	Primary shaft seal:	CVBP	Pump housing:	Stainless steel DIN W.-Nr. 1.4301 AISI 304	Impeller:	Stainless steel DIN W.-Nr. 1.4301 AISI 304	Range of ambient temperature:	0 .. 40 °C	Maximum operating pressure:	6 bar	Power input - P1:	1400 W	Phase:	1	Capacitor size - run:	25 µF/400 V	Enclosure class (IEC 34-5):	IP44	Insulation class (IEC 85):	F	Type of cable plug:	NONE	Net weight:	11.8 kg	Gross weight:	12.7 kg	Shipping volume:	0.026 m ³
Pumped liquid:	Water																																				
Liquid temperature range:	0 .. 40 °C																																				
Liquid temperature during operation:	20 °C																																				
Density:	998.2 kg/m ³																																				
Primary shaft seal:	CVBP																																				
Pump housing:	Stainless steel DIN W.-Nr. 1.4301 AISI 304																																				
Impeller:	Stainless steel DIN W.-Nr. 1.4301 AISI 304																																				
Range of ambient temperature:	0 .. 40 °C																																				
Maximum operating pressure:	6 bar																																				
Power input - P1:	1400 W																																				
Phase:	1																																				
Capacitor size - run:	25 µF/400 V																																				
Enclosure class (IEC 34-5):	IP44																																				
Insulation class (IEC 85):	F																																				
Type of cable plug:	NONE																																				
Net weight:	11.8 kg																																				
Gross weight:	12.7 kg																																				
Shipping volume:	0.026 m ³																																				

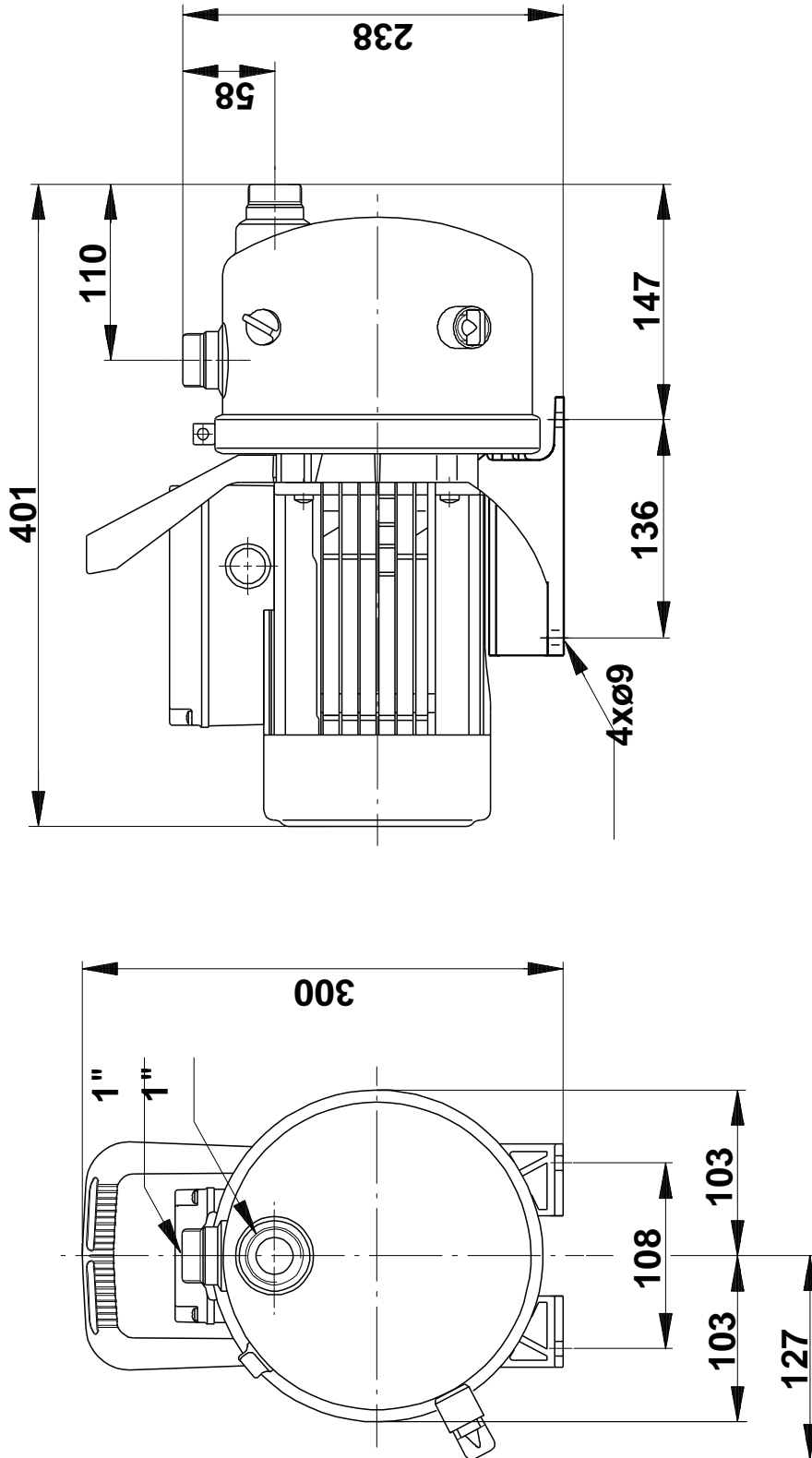
46610011 JP 6 A-A-CVBP 50 Hz



Description	Value
General information:	
Product name:	JP 6 A-A-CVBP
Product No:	46610011
EAN number:	5700391191954
Technical:	
Head max:	50 m
Primary shaft seal:	CVBP
Pump version:	A
Model:	D
Ejector valve:	yes
Materials:	
Pump housing:	Stainless steel DIN W.-Nr. 1.4301 AISI 304
Impeller:	Stainless steel DIN W.-Nr. 1.4301 AISI 304
Material code:	A
Installation:	
Range of ambient temperature:	0 .. 40 °C
Maximum operating pressure:	6 bar
Liquid:	
Pumped liquid:	Water
Liquid temperature range:	0 .. 40 °C
Liquid temperature during operation:	20 °C
Density:	998.2 kg/m ³
Electrical data:	
Power input - P1:	1400 W
Phase:	1
Capacitor size - run:	25 µF/400 V
Enclosure class (IEC 34-5):	IP44
Insulation class (IEC 85):	F
Type of cable plug:	NONE
Cable:	N
Controls:	
Presscontrol:	without press control
Switch:	on/off switch included
Others:	
Net weight:	11.8 kg
Gross weight:	12.7 kg
Shipping volume:	0.026 m ³

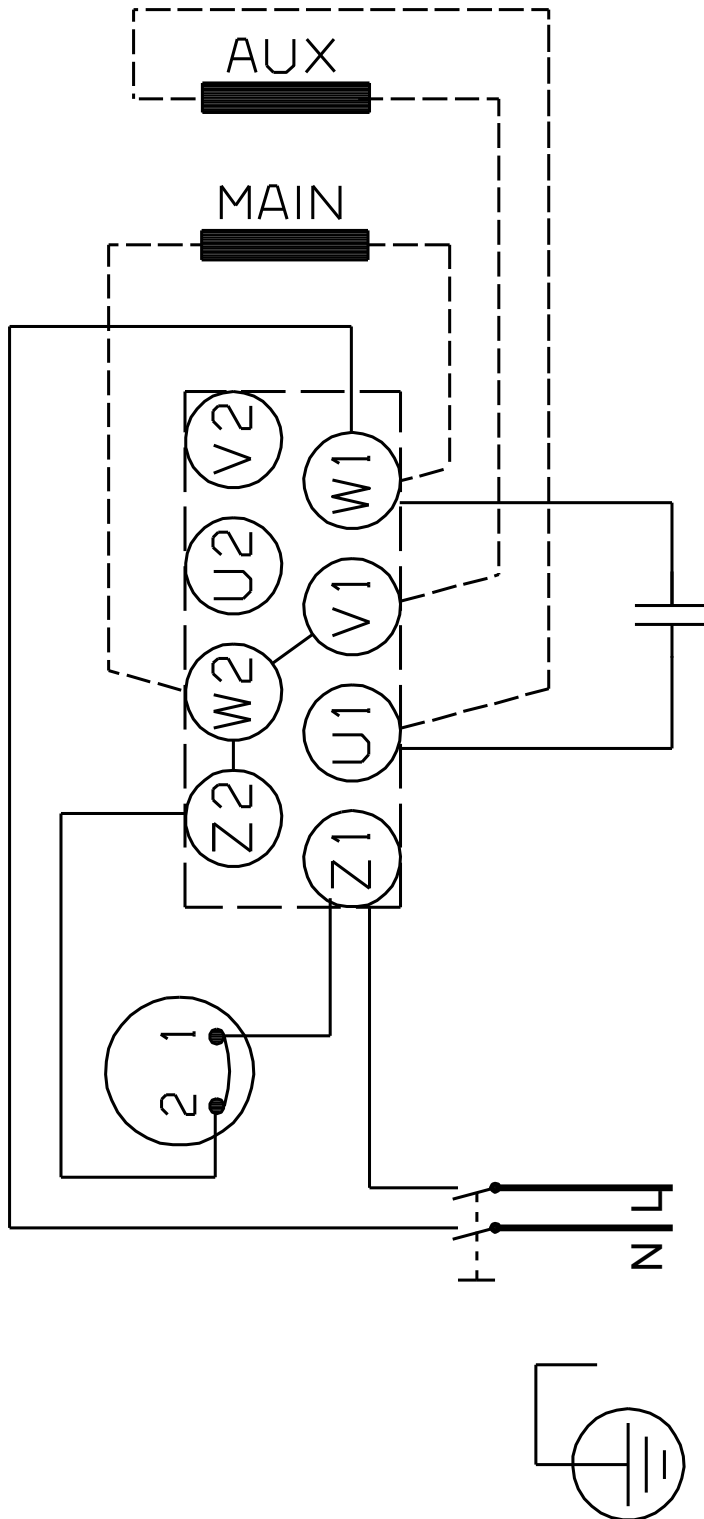


46610011 JP 6 A-A-CVBP 50 Hz



Note! All units are in [mm] unless others are stated.
Disclaimer: This simplified dimensional drawing does not show all details.

46610011 JP 6 A-A-CVBP 50 Hz



Note! All units are in [mm] unless others are stated.