

Qty. Description1 **JP 5 A-A-CVBP**

Note! Product picture may differ from actual product

Product No.: [46520012](#)

Horizontal self-priming jet pump.

Self-priming single-stage centrifugal jet pump with axial suction port and radial discharge port close-coupled with a single-phase motor with thermal overload protection.

Pump and motor are mounted on a common baseplate.

The pump has a mechanical carbon/ceramics shaft seal.

Liquid:

Pumped liquid: Water
Liquid temperature range: 0 .. 40 °C
Liquid temperature during operation: 20 °C
Density: 998.2 kg/m³

Technical:

Primary shaft seal: CVBP

Materials:

Pump housing: Stainless steel
DIN W.-Nr. 1.4301
AISI 304
Impeller: Stainless steel
DIN W.-Nr. 1.4301
AISI 304

Installation:

Range of ambient temperature: 0 .. 40 °C
Maximum operating pressure: 6 bar

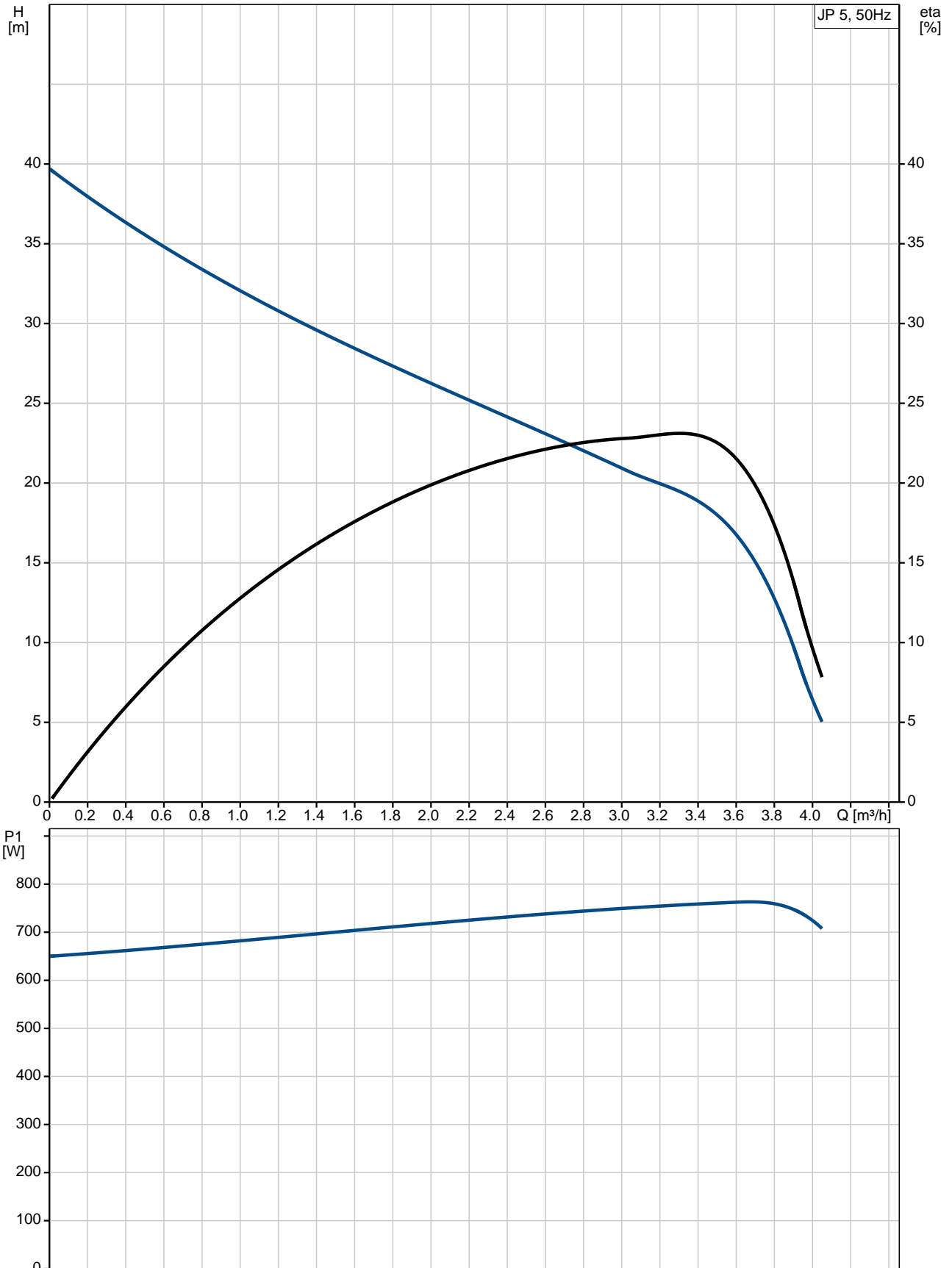
Electrical data:

Power input - P1: 775 W
Phase: 1
Capacitor size - run: 8 µF/400 V
Enclosure class (IEC 34-5): IP44
Insulation class (IEC 85): F
Type of cable plug: NONE

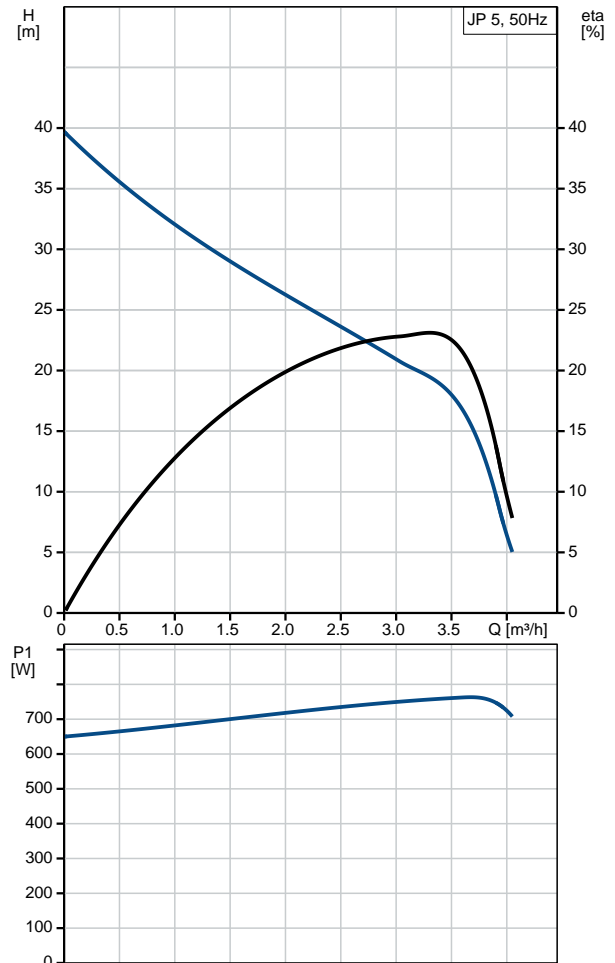
Others:

Net weight: 8.5 kg
Gross weight: 9.4 kg
Shipping volume: 0.026 m³

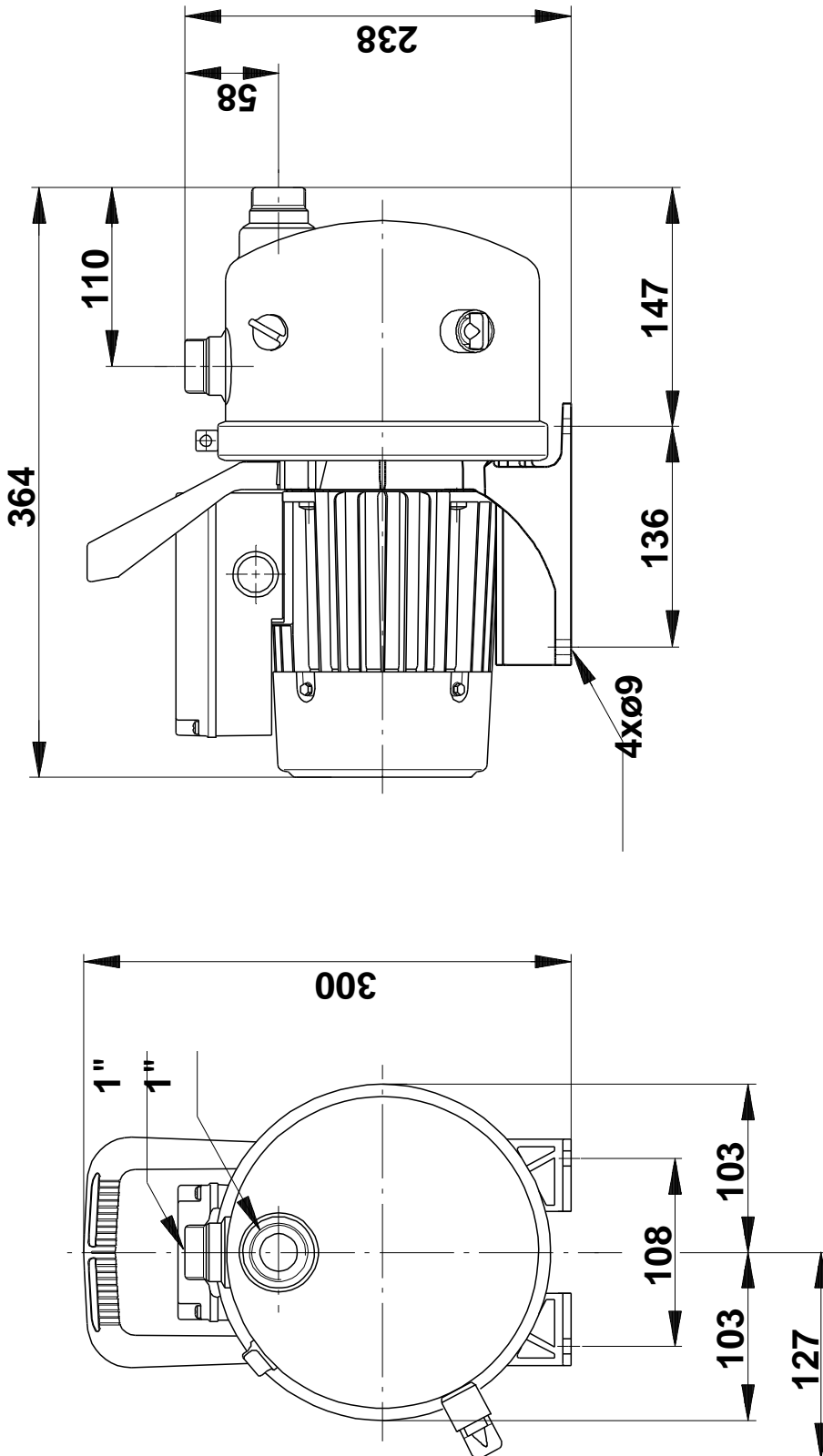
46520012 JP 5 A-A-CVBP 50 Hz



Description	Value
General information:	
Product name:	JP 5 A-A-CVBP
Product No:	46520012
EAN number:	5700391191831
Technical:	
Head max:	40 m
Primary shaft seal:	CVBP
Pump version:	A
Model:	D
Ejector valve:	yes
Materials:	
Pump housing:	Stainless steel DIN W.-Nr. 1.4301 AISI 304
Impeller:	Stainless steel DIN W.-Nr. 1.4301 AISI 304
Material code:	A
Installation:	
Range of ambient temperature:	0 .. 40 °C
Maximum operating pressure:	6 bar
Liquid:	
Pumped liquid:	Water
Liquid temperature range:	0 .. 40 °C
Liquid temperature during operation:	20 °C
Density:	998.2 kg/m ³
Electrical data:	
Power input - P1:	775 W
Phase:	1
Capacitor size - run:	8 µF/400 V
Enclosure class (IEC 34-5):	IP44
Insulation class (IEC 85):	F
Type of cable plug:	NONE
Cable:	N
Controls:	
Presscontrol:	without press control
Switch:	on/off switch not included
Others:	
Net weight:	8.5 kg
Gross weight:	9.4 kg
Shipping volume:	0.026 m ³
Sales region:	GB

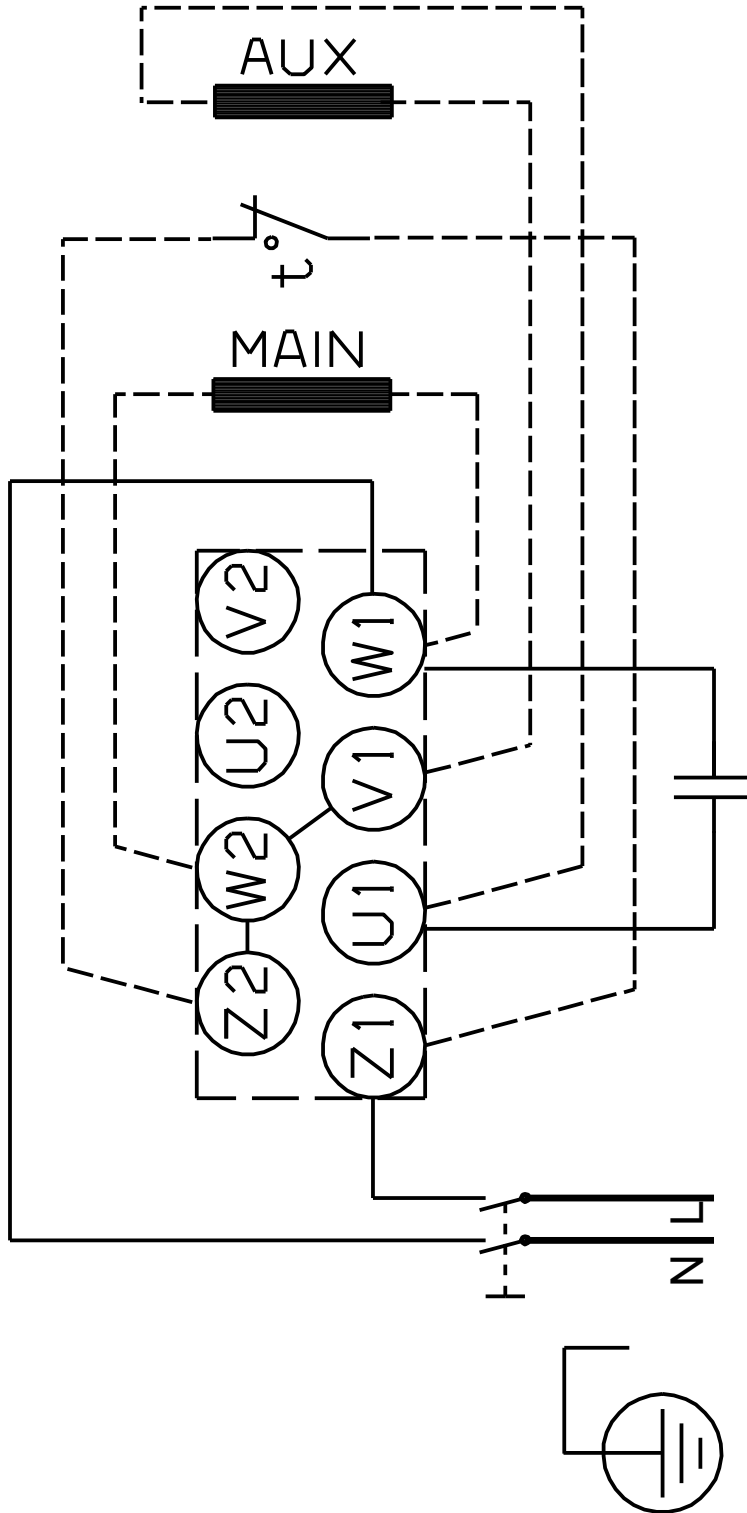


46520012 JP 5 A-A-CVBP 50 Hz



Note! All units are in [mm] unless others are stated.
Disclaimer: This simplified dimensional drawing does not show all details.

46520012 JP 5 A-A-CVBP 50 Hz



Note! All units are in [mm] unless others are stated.