

**Qty. Description**

1 JP 5 B-A-CVBP



Product No.: [46511011](#)

Horizontal self-priming jet pump.

Self-priming single-stage centrifugal jet pump with axial suction port and radial discharge port close-coupled with a single-phase motor with thermal overload protection.

Pump and motor are mounted on a common baseplate.

The pump has a mechanical carbon/ceramics shaft seal.

**Liquid:**

Pumped liquid: Water  
 Liquid temperature range: 1 .. 40 °C  
 Liquid temperature during operation: 20 °C  
 Density: 998.2 kg/m<sup>3</sup>

**Technical:**

Primary shaft seal: CVBP  
 Approvals on nameplate: CE,EAC  
 Curve tolerance: ISO9906:2012 3B

**Materials:**

Pump housing: Stainless steel  
 EN 1.4301  
 AISI 304  
 Impeller: Stainless steel  
 DIN W.-Nr. 1.4301  
 AISI 304

**Installation:**

Range of ambient temperature: 0 .. 40 °C  
 Maximum operating pressure: 6 bar  
 Pump inlet: G1  
 Pump outlet: G1

**Electrical data:**

Power input - P1: 850 W  
 Mains frequency: 50 Hz  
 Rated voltage: 1 x 220-240 V  
 Rated current: 3.8 A  
 Capacitor size - run: 20 µF/400 V  
 Enclosure class (IEC 34-5): IP44  
 Insulation class (IEC 85): F  
 Type of cable plug: NONE



Company name:

Created by:

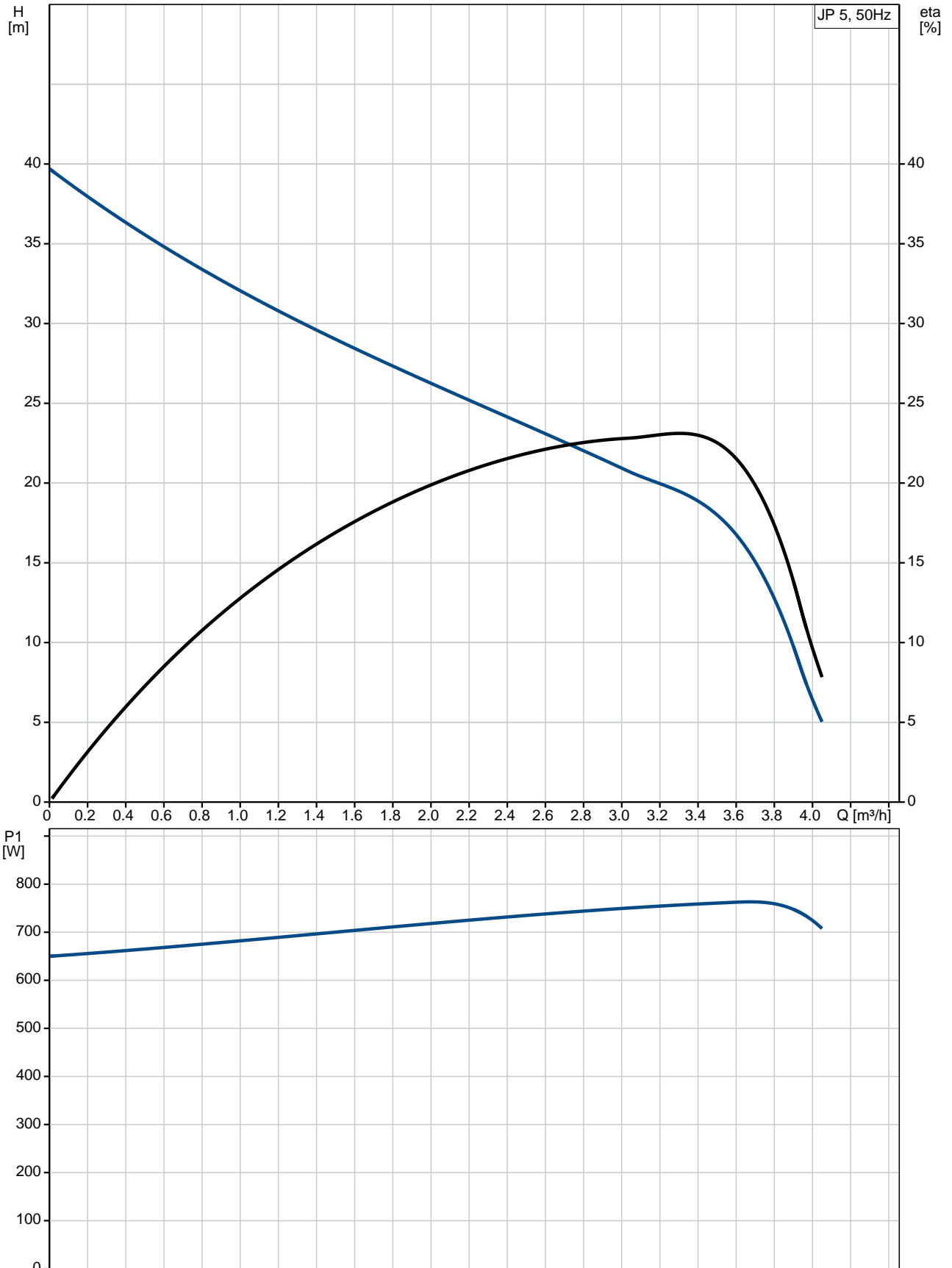
Phone:

Date:

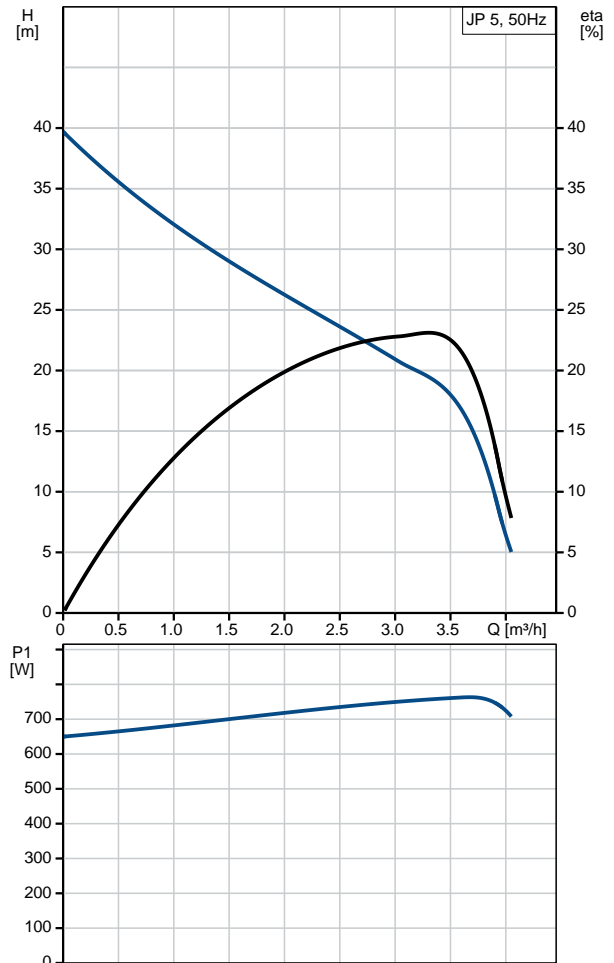
14/12/2018

Qty.	Description
	<p><b>Others:</b></p> <p>Net weight: 12 kg</p> <p>Gross weight: 12 kg</p> <p>Shipping volume: 0.026 m<sup>3</sup></p>

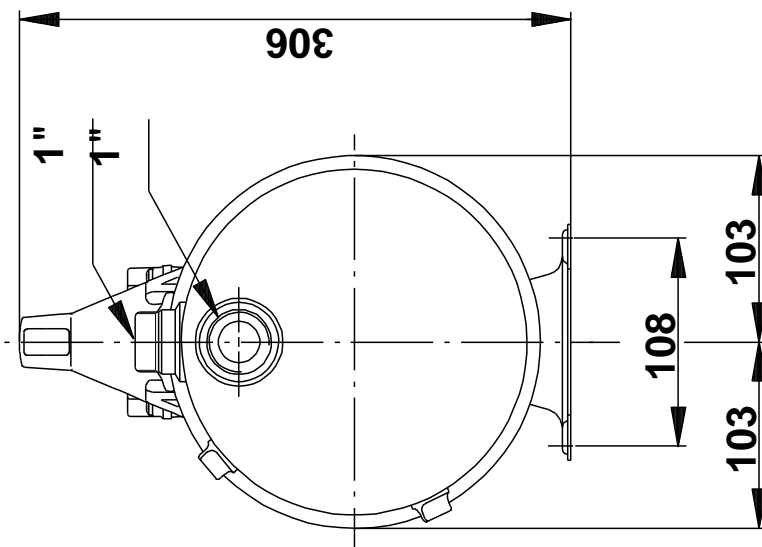
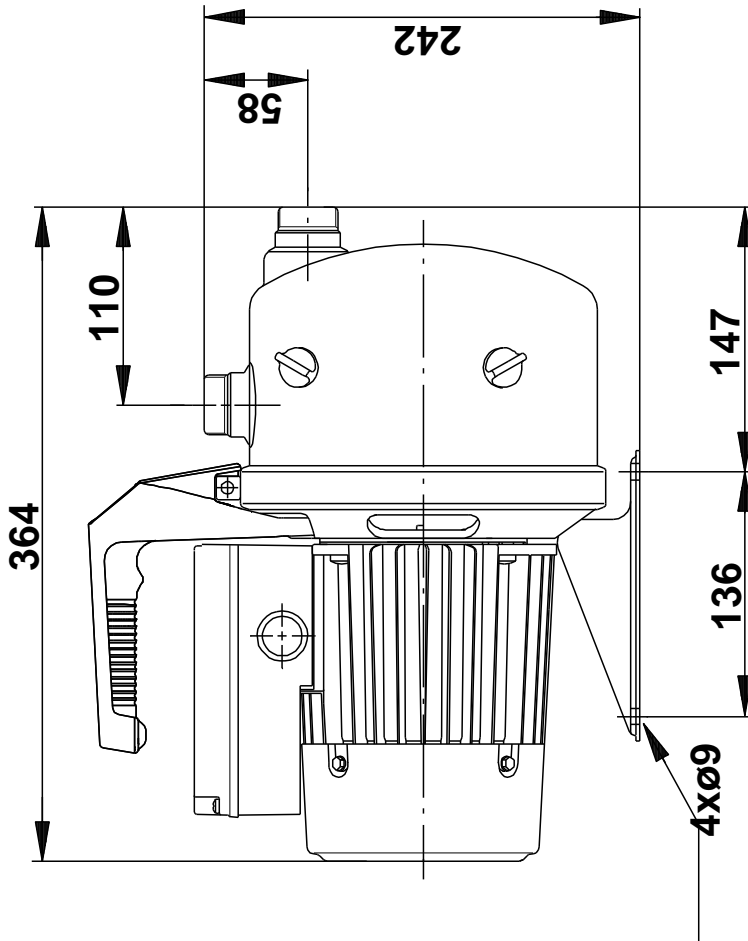
## 46511011 JP 5 B-A-CVBP 50 Hz



Description	Value
<b>General information:</b>	
Product name:	JP 5 B-A-CVBP
Product No:	<a href="#">46511011</a>
EAN number:	5700390462499
<b>Technical:</b>	
Head max:	40 m
Primary shaft seal:	CVBP
Approvals on nameplate:	CE, EAC
Curve tolerance:	ISO9906:2012 3B
Pump version:	B
Model:	E
Ejector valve:	yes
<b>Materials:</b>	
Pump housing:	Stainless steel EN 1.4301 AISI 304
Impeller:	Stainless steel DIN W.-Nr. 1.4301 AISI 304
Material code:	A
<b>Installation:</b>	
Range of ambient temperature:	0 .. 40 °C
Maximum operating pressure:	6 bar
Pump inlet:	G1
Pump outlet:	G1
<b>Liquid:</b>	
Pumped liquid:	Water
Liquid temperature range:	1 .. 40 °C
Liquid temperature during operation:	20 °C
Density:	998.2 kg/m <sup>3</sup>
<b>Electrical data:</b>	
Power input - P1:	850 W
Mains frequency:	50 Hz
Rated voltage:	1 x 220-240 V
Rated current:	3.8 A
Capacitor size - run:	20 µF/400 V
Enclosure class (IEC 34-5):	IP44
Insulation class (IEC 85):	F
Type of cable plug:	NONE
Cable:	N
<b>Controls:</b>	
Presscontrol:	without press control
Switch:	on/off switch included
<b>Others:</b>	
Net weight:	12 kg
Gross weight:	12 kg
Shipping volume:	0.026 m <sup>3</sup>

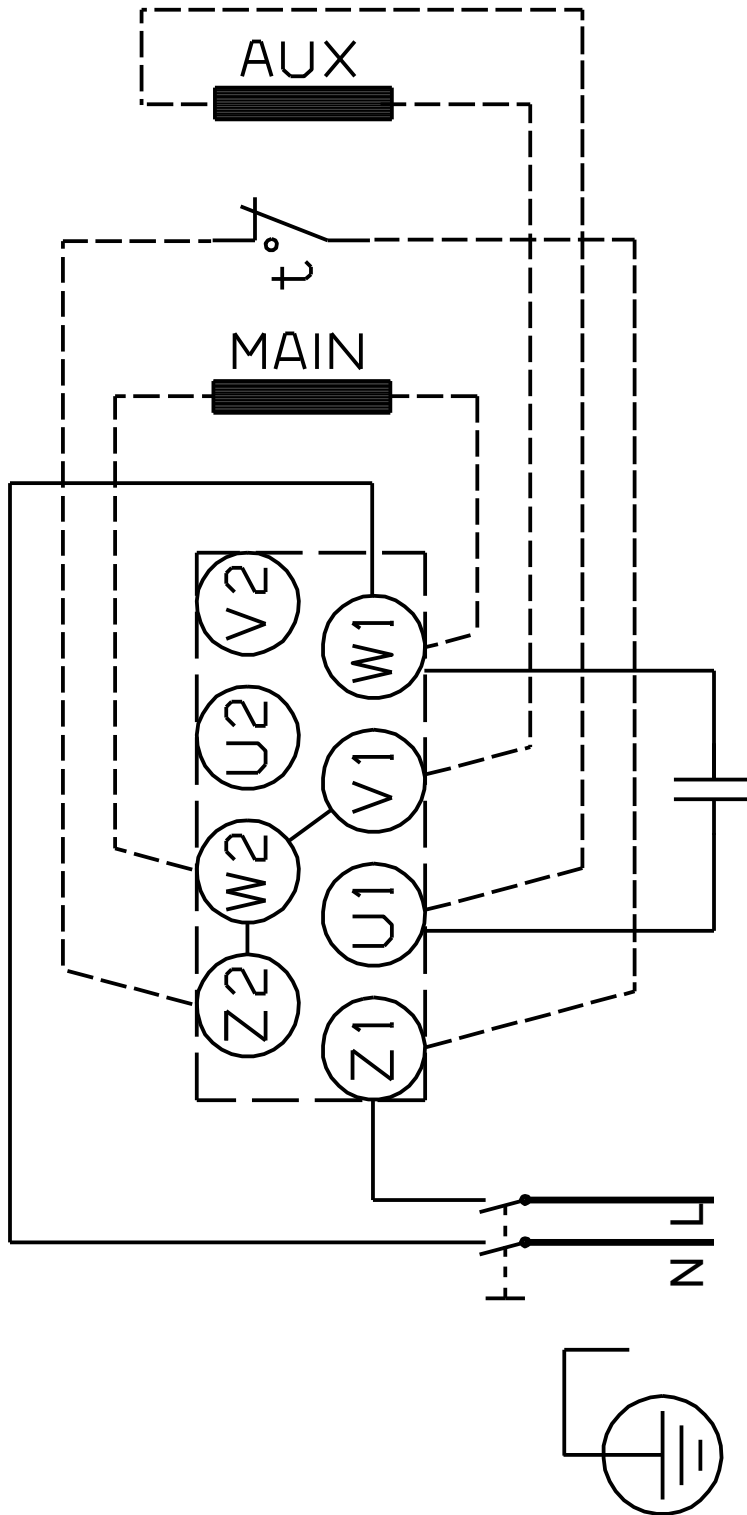


## 46511011 JP 5 B-A-CVBP 50 Hz



Note! All units are in [mm] unless others are stated.  
Disclaimer: This simplified dimensional drawing does not show all details.

## 46511011 JP 5 B-A-CVBP 50 Hz



Note! All units are in [mm] unless others are stated.