

Hydraulic data

| | |
|--|---------------------|
| Maximum operating pressure <i>P_N</i> | 10 bar |
| Min. fluid temperature for HVAC applications <i>T_{min}</i> | 0 °C |
| Max. fluid temperature for HVAC <i>T</i> | 80 °C |
| Min. ambient temperature <i>T_{min}</i> | 0 °C |
| Max. ambient temperature <i>T_{max}</i> | 40 °C |
| Max. permitted total water hardness | 3.57 mmol/l (20°dH) |

Motor data

| | |
|---|--|
| Energy efficiency index (EEI) | 0.19 |
| Mains connection | 1~230 V, 50/60 Hz |
| Rated power <i>P₂</i> | 0.23 kW |
| Rated current <i>I_N</i> | 1.20 A |
| Min. speed <i>n_{min}</i> | 750 1/min |
| Max. speed <i>n_{max}</i> | 3750 1/min |
| Power consumption <i>P_{1min}</i> | 7.0 W |
| Power consumption <i>P_{1max}</i> | 280.0 W |
| Interference emission | EN 61800-3;2004+A1;2012 /residential area (C1) |
| Interference immunity | EN 61800-3;2004+A1;2012 /industrial environment (C2) |
| Speed control | Frequency converter |
| Insulation class | F |
| Protection class motor | IPX4D |
| Motor protection | Internal protection overheating and overcurrent |

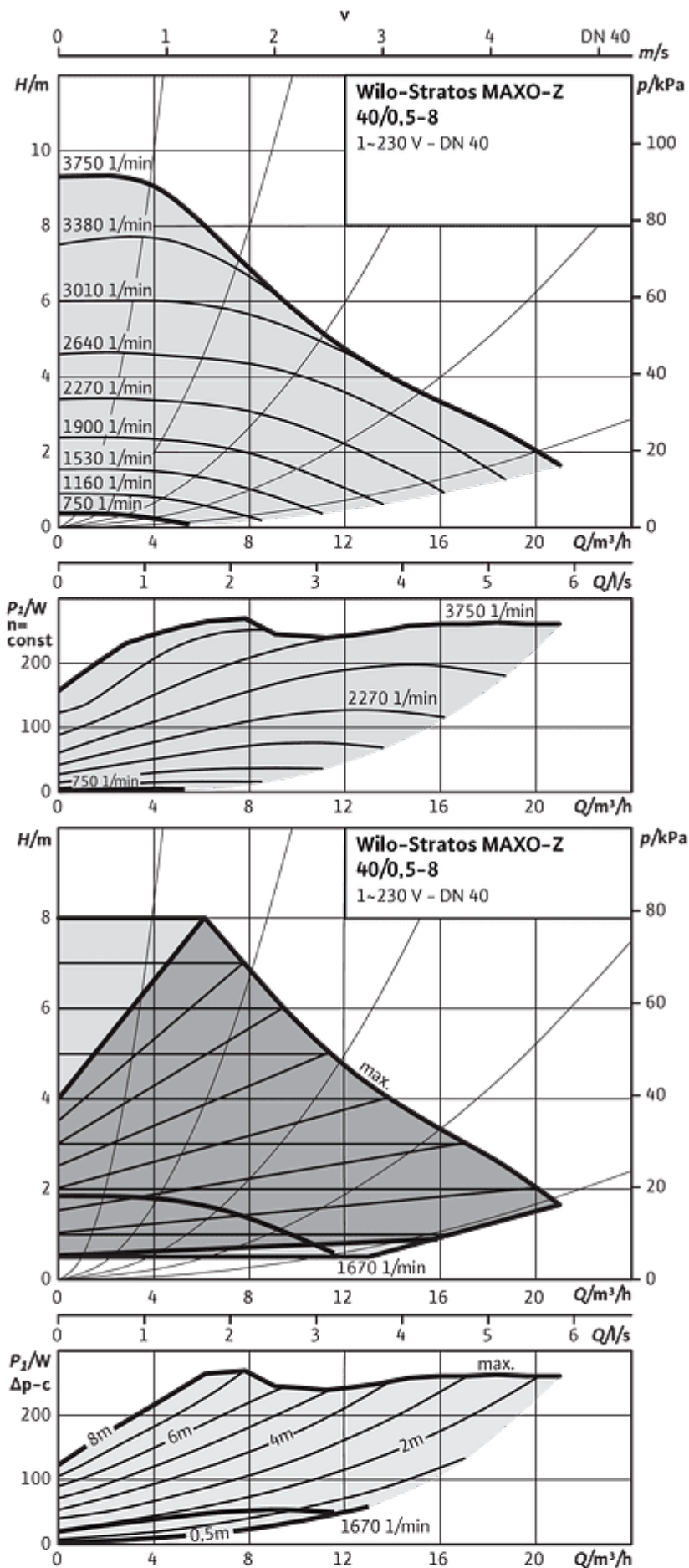
Materials

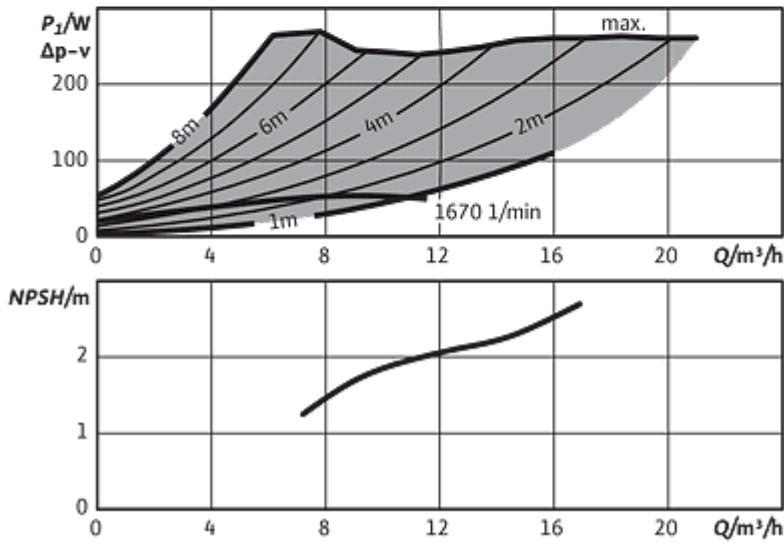
| | |
|--------------|--------------------|
| Pump housing | Stainless steel |
| Impeller | PPS-GF40 |
| Shaft | 1.4122, DLC-coated |
| Bearing | Carbon-graphite |

Installation dimensions

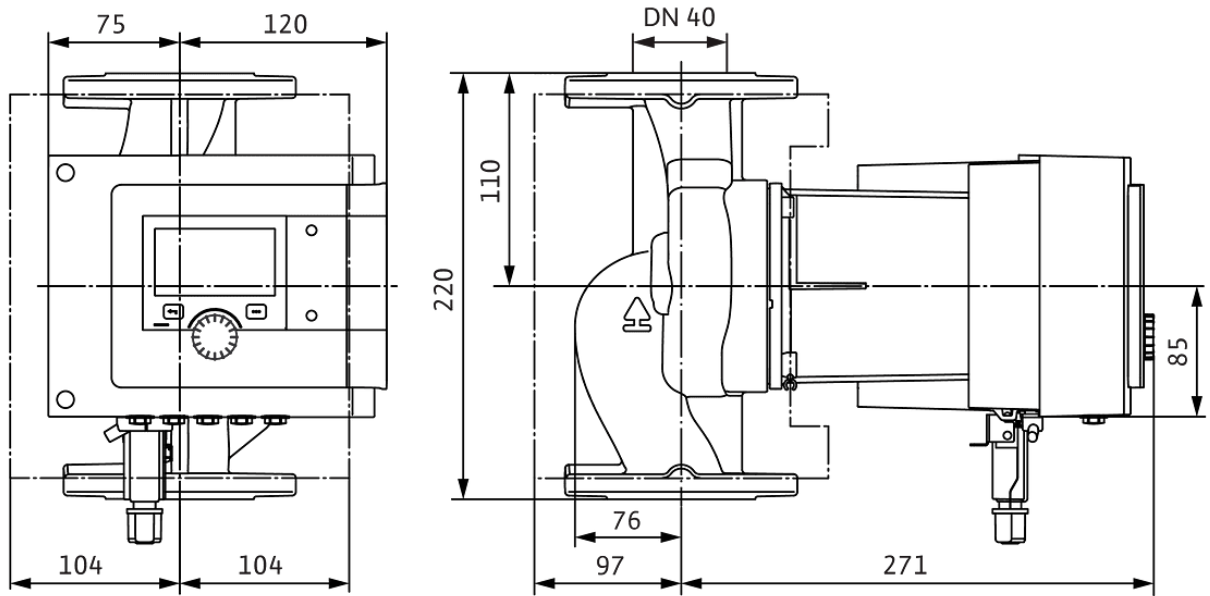
| | |
|---|--------|
| Pipe connection on the suction side <i>DN_s</i> | DN 40 |
| Pipe connection on the pressure side <i>DN_d</i> | DN 40 |
| Port-to-port length <i>L₀</i> | 220 mm |

Wilo-Stratos MAXO-Z 40/0,5-8

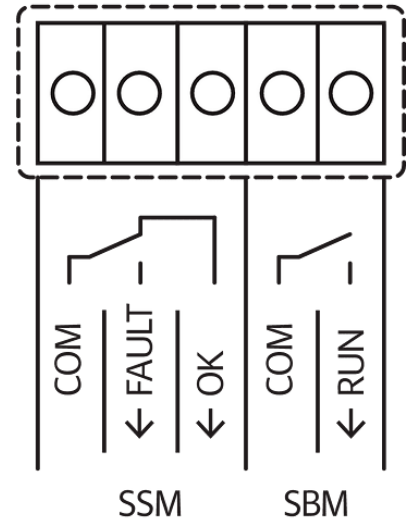
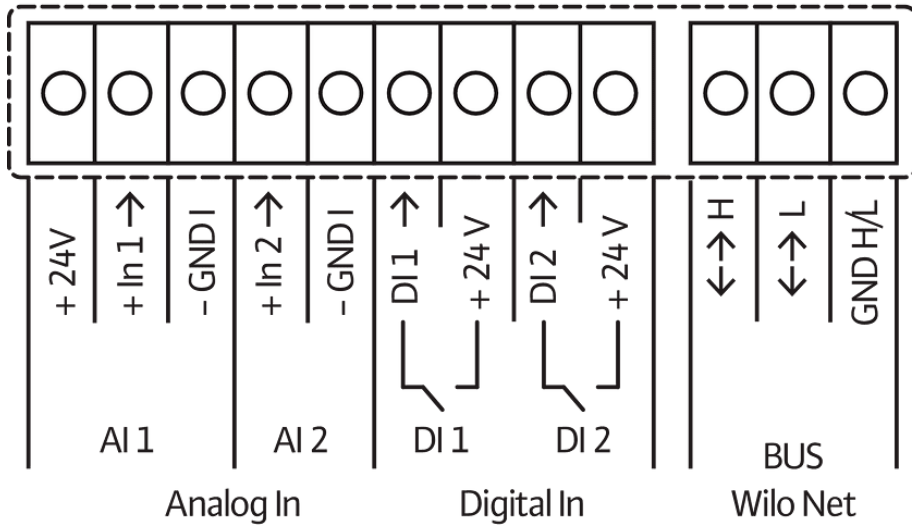
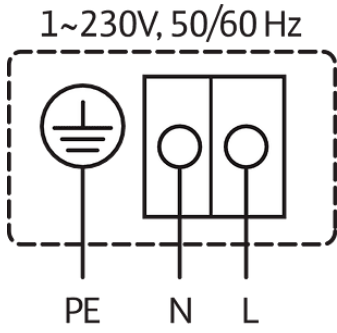




Stratos MAXO-Z 40/0,5-8 PN 6/10



Standard: 1~ 230 V, 50/60 Hz, Option: 3~ 230 V, 50/60 Hz



SSM: Collective fault signal (NC contact in accordance with VDI 3814, load capacity 1 A, 250 V ~)

Product data

| | |
|----------------------------|-------------------------|
| Brand | Wilo |
| Product description | Stratos MAXO-Z 40/0,5-8 |
| Article number | 2164674 |
| EAN number | 4048482700168 |
| Colour | Green/black/silver |
| Minimum order quantity | 1 |
| Date of sales availability | 2018-11-01 |

Dimension, weight

| | |
|--------------------------------|---------|
| Length with packaging | 800 mm |
| Length <i>L</i> | 370 mm |
| Height with packaging | 394 mm |
| Height <i>H</i> | 220 mm |
| Width with packaging | 600 mm |
| Width <i>W</i> | 227 mm |
| Gross weight, approx. <i>m</i> | 17.9 kg |
| Net weight, approx. <i>m</i> | 13 kg |

Packaging

| | |
|--------------------|---------------------|
| Number per layer | 4 |
| Packaging property | Transport packaging |
| Packaging type | Cardboard box |
| Pieces per pallet | 8 |

Premium smart-pump Wilo-Stratos MAXO-Z

High-efficiency inline glandless pump with EC motor and electronic power adjustment. Can be used for drinking water, cold water, heating water and water/glycol mixtures. Energy efficiency index (EEI) between ≤ 0.17 and ≤ 0.19 depending on pump type.

Control modes:

- > Permanent, automatic performance adaptation to system requirements without setpoint specification **Wilo Dynamic Adapt plus**. Up to 20% energy savings compared to dp-v control mode.
- > Constant temperature (**T-const.**, factory setting)
- > Constant differential temperature (**dT-const.**)
- > Needs-based volume flow optimisation of the feeder pump through connectivity and communication between multiple pumps (**Multi-Flow Adaptation**).
- > Constant volume flow (**Q-const.**)
- > Differential pressure control (dp-c) to a remote point in the pipe network (**index circuit evaluator**)
- > Constant differential pressure (**dp-c**)
- > Variable differential pressure (**dp-v**) with the option to set the nominal duty point
- > Constant speed (**n-const.**)
- > User-defined **PID** control

Functions:

- > Heat quantity measurement
- > Cooling quantity measurement
- > Pump automatically deactivates when no flow is detected (**No-Flow Stop**)
- > Switchover between heating and cooling mode (automatic, external or manual)
- > Adjustable volume flow limiter using the Q-Limit function (**Q_{min.}** and **Q_{max.}**)
- > Operating modes of twin-head pumps: Efficiency-optimised **parallel operation** for dp-c and dp-v, main and standby operation
- > Ability to save and restore configured pump settings (**3 restoration points**)
- > **Fault and warning messages** shown in plain text with advice on resolving the issue
- > **Pump venting function** for automatic venting of the rotor chamber
- > Automatic **setback operation**
- > Automatic **deblocking function** and integrated **full motor protection**
- > **Dry-running detection**
- > Automatic detection of thermal disinfection (for domestic hot water circulation) in conjunction with a separate temperature sensor

Operating data

| | |
|--|---------------------|
| Fluid media | Water |
| Fluid temperature <i>T</i> | 0 °C |
| Ambient temperature <i>T</i> | 0 °C |
| Maximum operating pressure <i>PN</i> | 10 bar |
| Minimum suction head at 50 °C <i>m</i> | 3.0 m |
| Minimum suction head at 95 °C <i>m</i> | 10.0 m |
| Minimum suction head at 110 °C | 16.0 m |
| Max. permitted total water hardness | 3.57 mmol/l (20°dH) |

Motor data

| | |
|---|--|
| Energy efficiency index (EEI) | 0.19 |
| Interference emission | EN 61800-3;2004+A1;2012 /residential area (C1) |
| Interference immunity | EN 61800-3;2004+A1;2012 /industrial environment (C2) |
| Mains connection | 1~230 V, 50/60 Hz |
| Power consumption <i>P_{1max}</i> | 280.0 W |
| Min. speed <i>n_{min}</i> | 750 1/min |
| Max. speed <i>n_{max}</i> | 3750 1/min |
| Protection class motor | IPX4D |
| Threaded cable connection | 5 x M16x1.5 |

Materials

| | |
|--------------|--------------------|
| Pump housing | Stainless steel |
| Impeller | PPS-GF40 |
| Shaft | 1.4122, DLC-coated |
| Bearing | Carbon-graphite |

Installation dimensions

| | |
|--|--------|
| Pipe connection on the suction side <i>DN_s</i> | DN 40 |
| Pipe connection on the pressure side <i>DN_d</i> | DN 40 |
| Port-to-port length <i>L₀</i> | 220 mm |

Display:

- > Control mode
- > Setpoint
- > Volume flow
- > Temperature
- > Power consumption
- > Electric consumption
- > Active influences (e.g. STOP, No-Flow Stop)

Version:

- > **2 configurable analogue inputs:** 0–10 V, 2–10 V, 0–20 mA, 4–20 mA and commercially available PT1000; +24 V DC power supply
- > **2 configurable digital inputs** (Ext. OFF, Ext. Min, Ext. Max, heating/cooling, manual override (uncoupled from building automation), operation lock (key lock and remote operation configuration protection))
- > **2 configurable signal relays for operational and fault messages**
- > **Slot for Wilo-CIF modules** with interfaces for building automation BA (optional accessories: CIF modules Modbus RTU, Modbus TCP, BACnet MS/TP, BACnet IP, LON, PLR, CAN)
- > Wilo Net as a Wilo system bus for communication between Wilo products, e.g. **Multi-Flow Adaptation;** double pump operation and Wilo-Smart Gateway
- > **Integrated temperature sensor**
- > Automatic **emergency operation** with definable pump speed for exceptional circumstances, e.g. bus communication or sensor value malfunction
- > **Graphic colour display** (4.3 inches) with one-button manual operation
- > Use the Wilo-Assistant app to read and set operating data and –among other things– set up a commissioning protocol through the Bluetooth interface (no further accessories required)
- > Cable break detection when using an analogue signal (in connection with 2–10 V or 4–20 mA)
- > Outdoor installation with weather protection possible in accordance with the installation and operating instructions
- > Pre-set date and time
- > Thermal insulation shell for heating applications

Scope of delivery:

- > Pump
- > Optimised Wilo-Connector
- > 2x threaded cable connection M16 x 1.5
- > Washers for flange screws M12 and M16 (for nominal connection diameters DN 32 to DN 65)
- > 2x gaskets for threaded connection

Information for order placements

| | |
|------------------------------|-------------------------|
| Brand | Wilo |
| Product description | Stratos MAXO-Z 40/0,5-8 |
| Net weight, approx. <i>m</i> | 13 kg |
| Article number | 2164674 |

- Thermal insulation shell
- Concise Installation and operating instructions

Optional accessories:

- ClimaForm cold insulation to avoid the formation of condensate
- CIF module: Modbus TCP, Modbus RTU, BACnet IP, BACnet MS/TP, LON, PLR, CAN
- PT 1000 (B) pipe contact sensor (for domestic hot water)
- PT 1000 (AA) sensor for installation in immersion well
- Differential pressure sensor
- Smart Gateway