

Data sheet: Stratos MAXO 40/0,5-16 PN 16

Hydraulic data

Maximum operating pressure PN	16 bar
Head max H_{max}	16.0
Flow max Q_{max}	21.5
Minimum suction head at 50 °C	5
Minimum suction head at 95 °C	12
Minimum suction head at 110 °C	18
Min. fluid temperature T_{min}	-10 °C
Max. fluid temperature T_{max}	110 °C
Min. ambient temperature T_{min}	-10 °C
Max. ambient temperature T_{max}	40 °C

Installation dimensions

Pipe connection on the suction side DN_s	DN 40
Pipe connection on the pressure side DN_d	DN 40
Port-to-port length l_0	250 mm

Information for order placements

Brand	Wilo
Product description	Stratos MAXO 40/0,5-16 PN 16
EAN number	4048482797977
Article number	2186273
Net weight, approx. m	16 kg
Gross weight, approx. m	19.9 kg
Length with packaging	600 mm
Height with packaging	394 mm
Width with packaging	400 mm
Packaging property	Transport packaging
Packaging type	Cardboard box
Minimum order quantity	1

Motor data

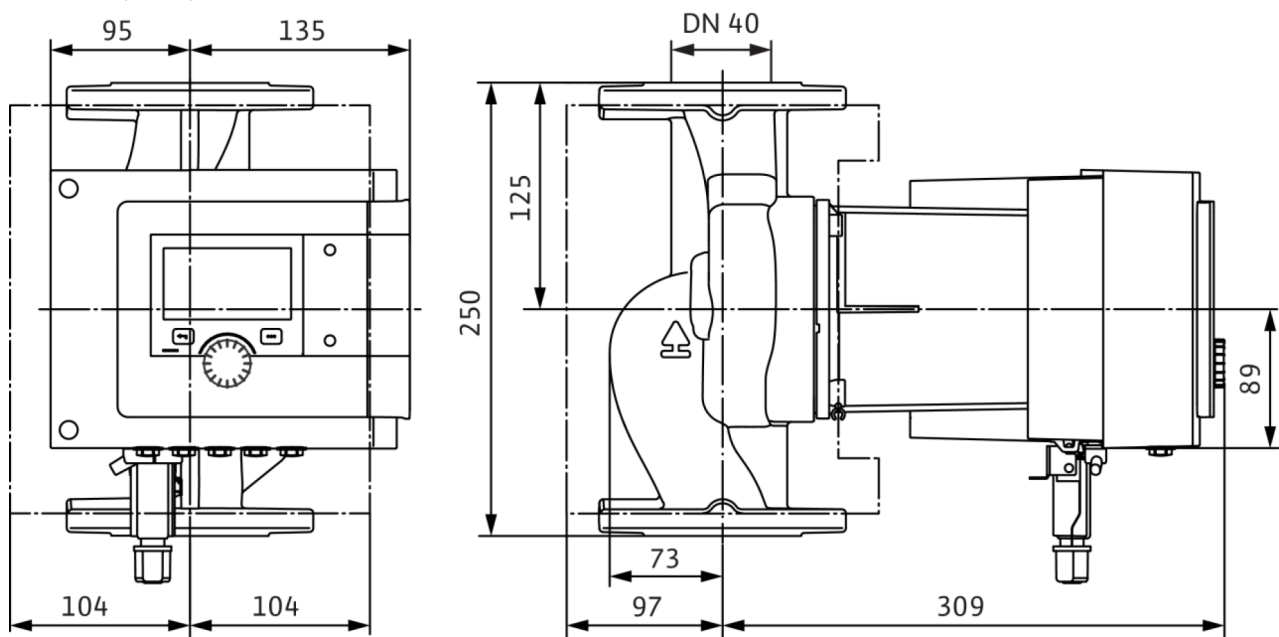
Energy efficiency index (EEI)	0.17
Rated power P_2	567.0 W
Min. speed n_{min}	450 rpm
Max. speed n_{max}	3850 rpm
Power consumption P_{1min}	10.0 W
Power consumption P_{1max}	640.0 W
Emitted interference	EN 61800-3;2004+A1;2012 /residential area (C1)
Interference resistance	EN 61800-3;2004+A1;2012 /industrial environment (C2)
Insulation class	F
Protection class	IPX4D

Materials

Pump housing	EN-GJL-250
Impeller	PPS-GF40
Shaft	1.4028, DLC-coated
Bearing	Carbon, antimony-impregnated

Dimensions and dimensions drawings: Stratos MAXO 40/0,5-16 PN 16

Stratos MAXO (2186273)



Pump curves: Stratos MAXO 40/0,5-16 PN 16

Wilo-Stratos MAXO 40/0,5-16

