

## Data sheet: Stratos MAXO 30/0,5-6 PN16

### Hydraulic data

Maximum operating pressure $PN$	16 bar
Head max $H_{max}$	6.0
Flow max $Q_{max}$	9.0
Minimum suction head at 50 °C	3
Minimum suction head at 95 °C	10
Minimum suction head at 110 °C	16
Min. fluid temperature $T_{min}$	-10 °C
Max. fluid temperature $T_{max}$	110 °C
Min. ambient temperature $T_{min}$	-10 °C
Max. ambient temperature $T_{max}$	40 °C

### Installation dimensions

Pipe connection on the suction side $DNs$	G 2
Pipe connection on the pressure side $DNd$	G 2
Port-to-port length $l0$	180 mm

### Information for order placements

Brand	Wilo
Product description	Stratos MAXO 30/0,5-6 PN16
EAN number	4048482797854
Article number	2186261
Net weight, approx. $m$	7 kg
Gross weight, approx. $m$	8.3 kg
Length with packaging	400 mm
Height with packaging	263 mm
Width with packaging	300 mm
Packaging property	Transport packaging
Packaging type	Cardboard box
Minimum order quantity	1

### Motor data

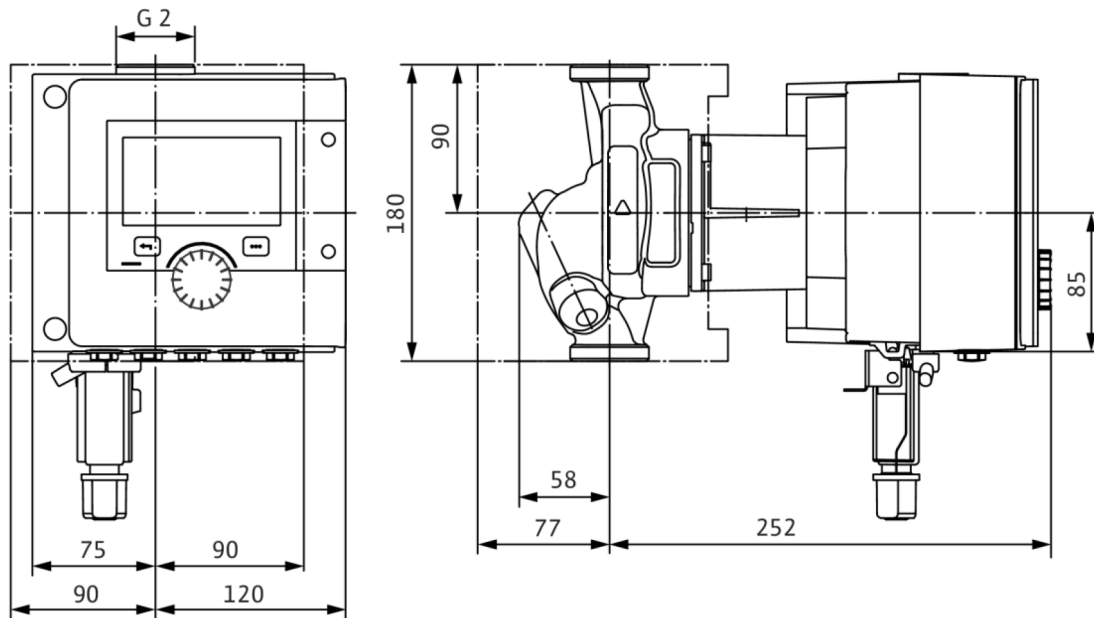
Energy efficiency index (EEI)	0.18
Rated power $P_2$	114.0 W
Min. speed $n_{min}$	500 rpm
Max. speed $n_{max}$	3050 rpm
Power consumption $P_{1 min}$	7.0 W
Power consumption $P_{1 max}$	135.0 W
Emitted interference	EN 61800-3;2004+A1;2012 /residential area (C1)
Interference resistance	EN 61800-3;2004+A1;2012 /industrial environment (C2)
Insulation class	F
Protection class	IPX4D

### Materials

Pump housing	EN-GJL-200
Impeller	PPS-GF40
Shaft	1.4122
Bearing	Carbon-graphite

Dimensions and dimensions drawings: Stratos MAXO 30/0,5-6 PN16

Stratos MAXO 30/0,5-6 PN 16



## Pump curves: Stratos MAXO 30/0,5-6 PN16

Wilo-Stratos MAXO 25/0,5-6, 30/0,5-6

