

Operating data

| | |
|----------------------------------|----------------------------------|
| Fluid media | Water |
| Fluid temperature T | -20 °C |
| Ambient temperature T | -15 °C |
| Maximum operating pressure P_N | 16 bar |
| Note on dimensioning | 16 bar to 120°C, 13 bar to 140°C |
| Minimum efficiency index (MEI) | 0.4 |

Motor data

| | |
|--------------------------------|-----------------|
| Mains connection | 3~400 V, 50 Hz |
| Voltage tolerance | ±10 % |
| Motor efficiency class | IE2 |
| Rated power P_2 | 0.55 kW |
| Rated current I_N | 1.40 A |
| Rated speed n | 1450 1/min |
| Power factor $\cos \varphi$ | 0.66 |
| Motor efficiency η_M 50% | 75.4 Percentage |
| Motor efficiency η_M 75% | 78.5 Percentage |
| Motor efficiency η_M 100% | 78.1 Percentage |
| Motor winding up to 3 kW | - |
| Motor winding from 4 kW | - |
| Insulation class | F |
| Protection class motor | IP55 |
| Motor protection | no |

Installation dimensions

| | |
|---------------------------------------------|--------|
| Pipe connection on the suction side DN_s | DN 50 |
| Pipe connection on the pressure side DN_d | DN 50 |
| Port-to-port length L_0 | 340 mm |

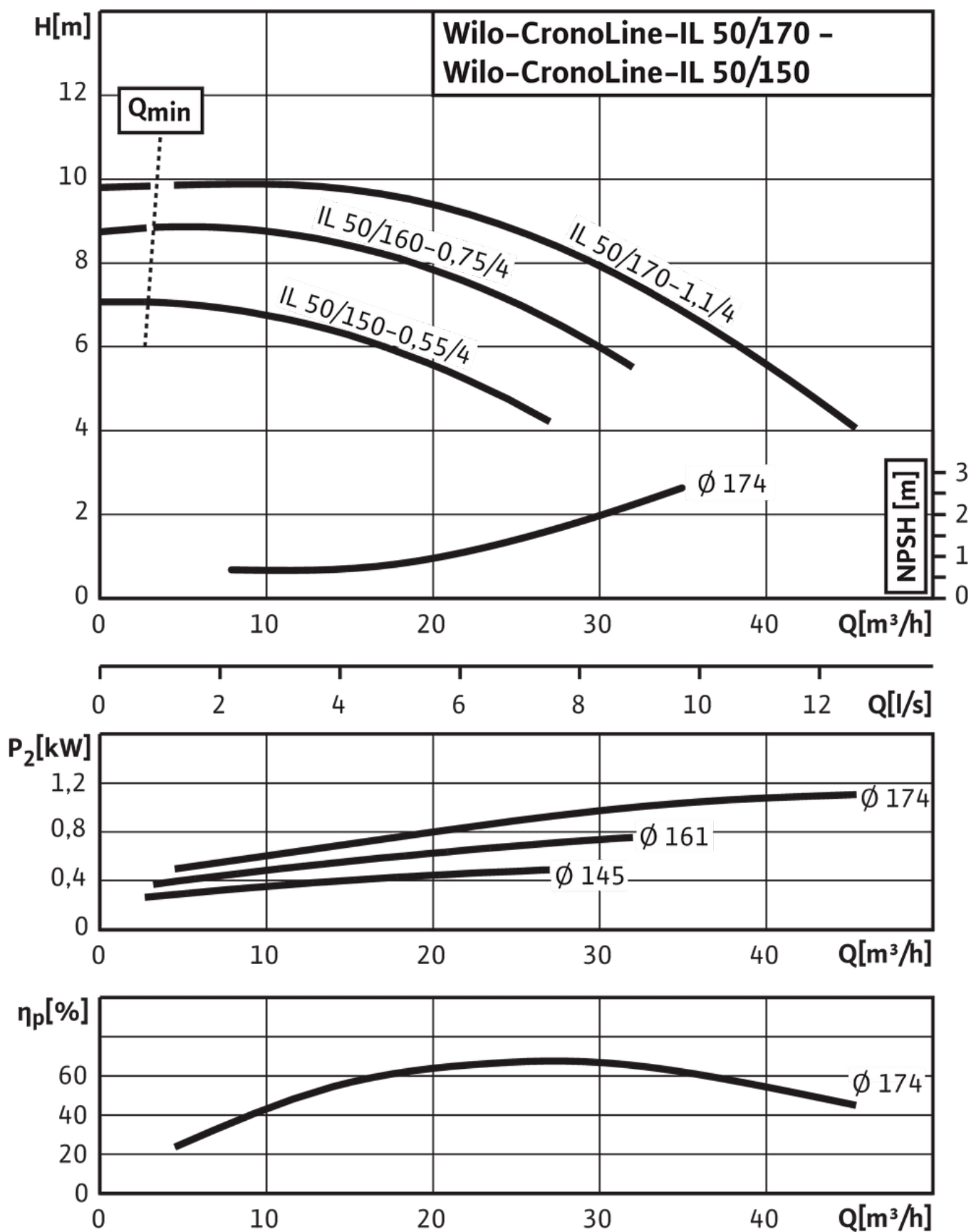
Hydraulic data

| | |
|-------------------------------------|----------------------------------|
| Minimum efficiency index (MEI) | 0.4 |
| Max. operating pressure p | 16 bar |
| Maximum operating pressure P_N | 16 bar |
| Min. fluid temperature T_{\min} | -20 °C |
| Max. fluid temperature T_{\max} | 140 °C |
| Max. ambient temperature T_{\max} | 40 °C |
| Note on dimensioning | 16 bar to 120°C, 13 bar to 140°C |

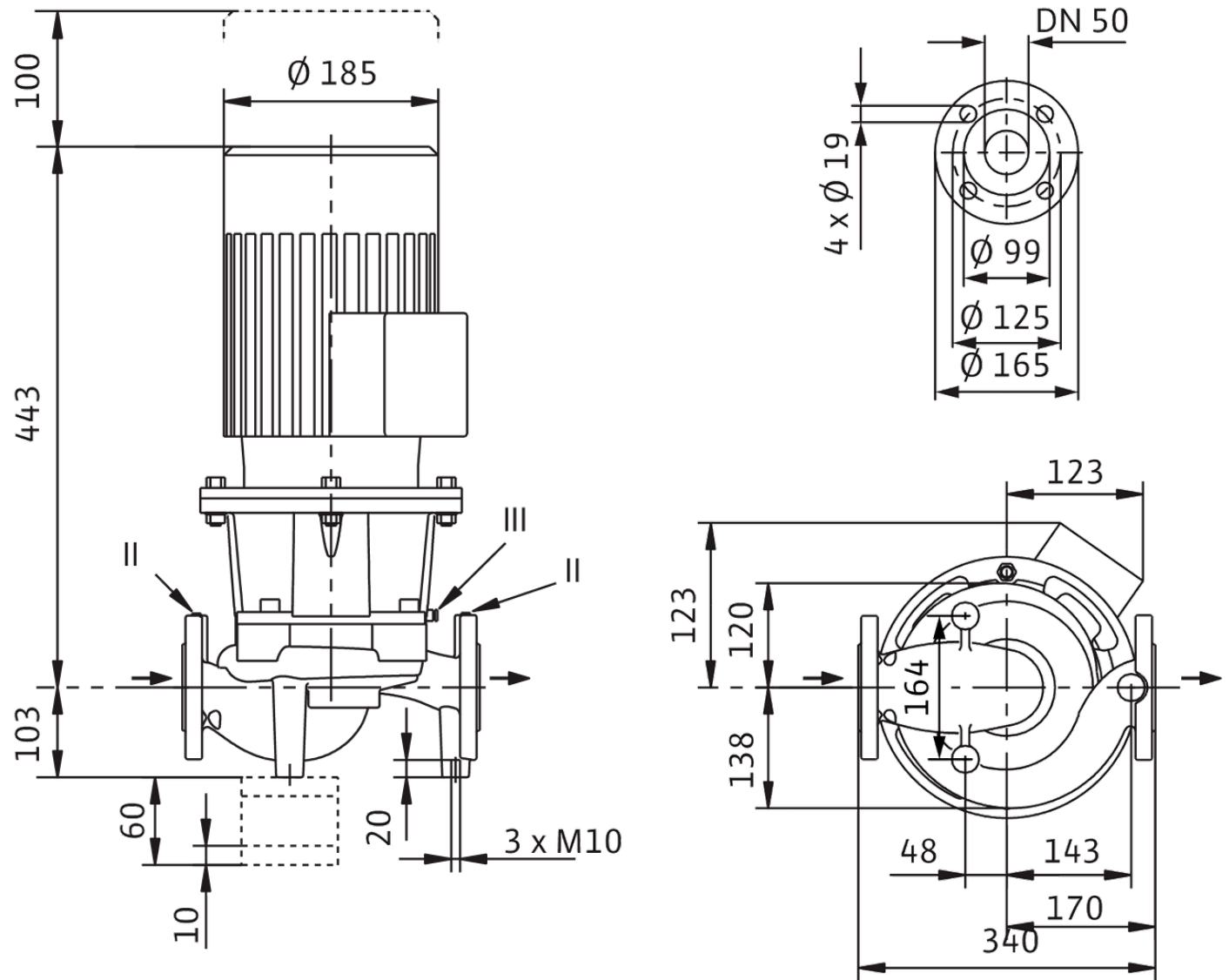
Materials

| | |
|-----------------|------------------------------|
| Pump housing | 5.1301/EN-GJL-250 KTL-coated |
| Impeller | EN-GJL-200 (GG-20) Cast iron |
| Shaft | Stainless steel |
| Mechanical seal | AQ1EGG |
| Lantern | 5.1301/EN-GJL-250 KTL-coated |

CronoLine-IL 50/150-0,55/4 - 50/170-1,1/4, 4-pole, 50 Hz

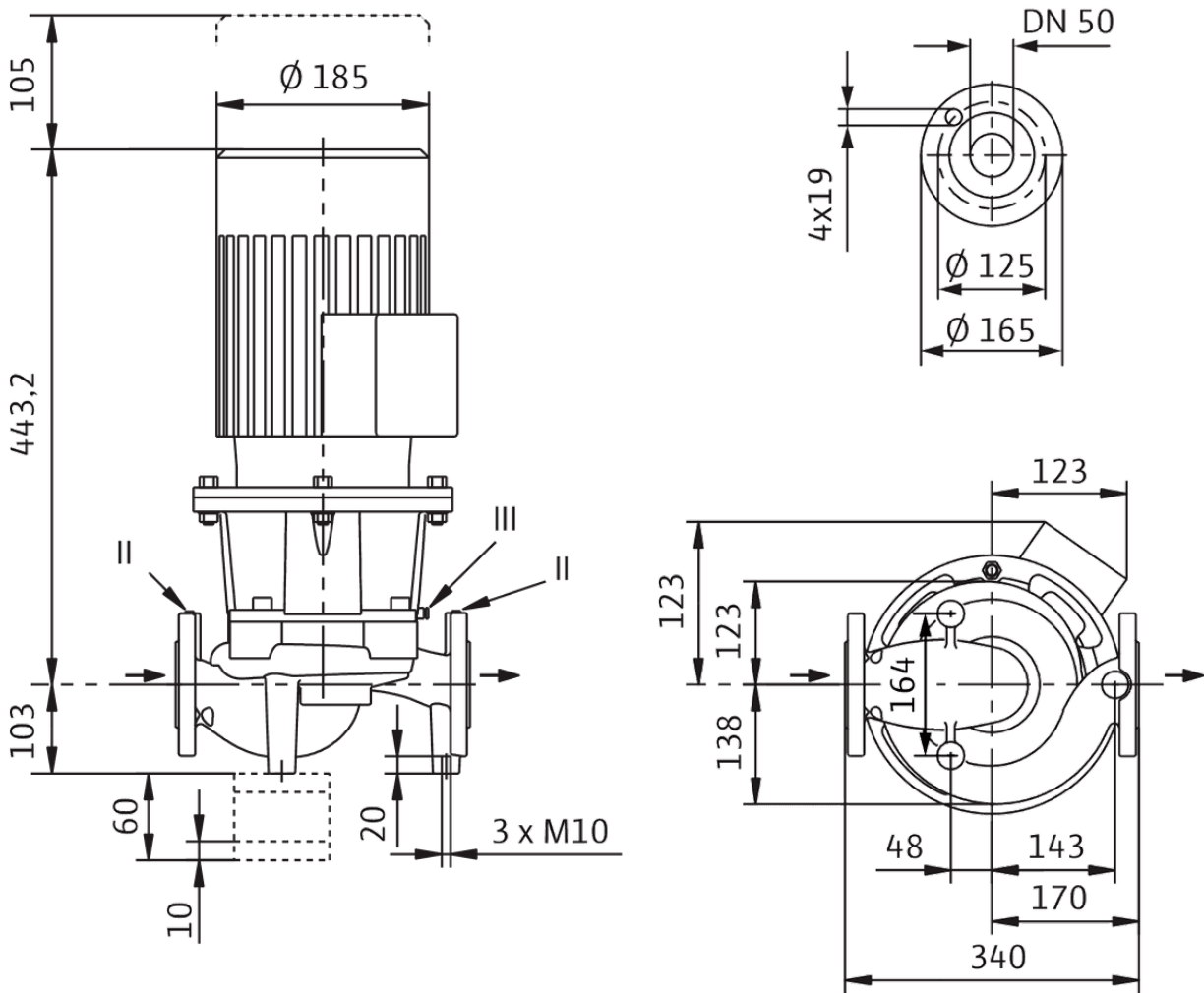


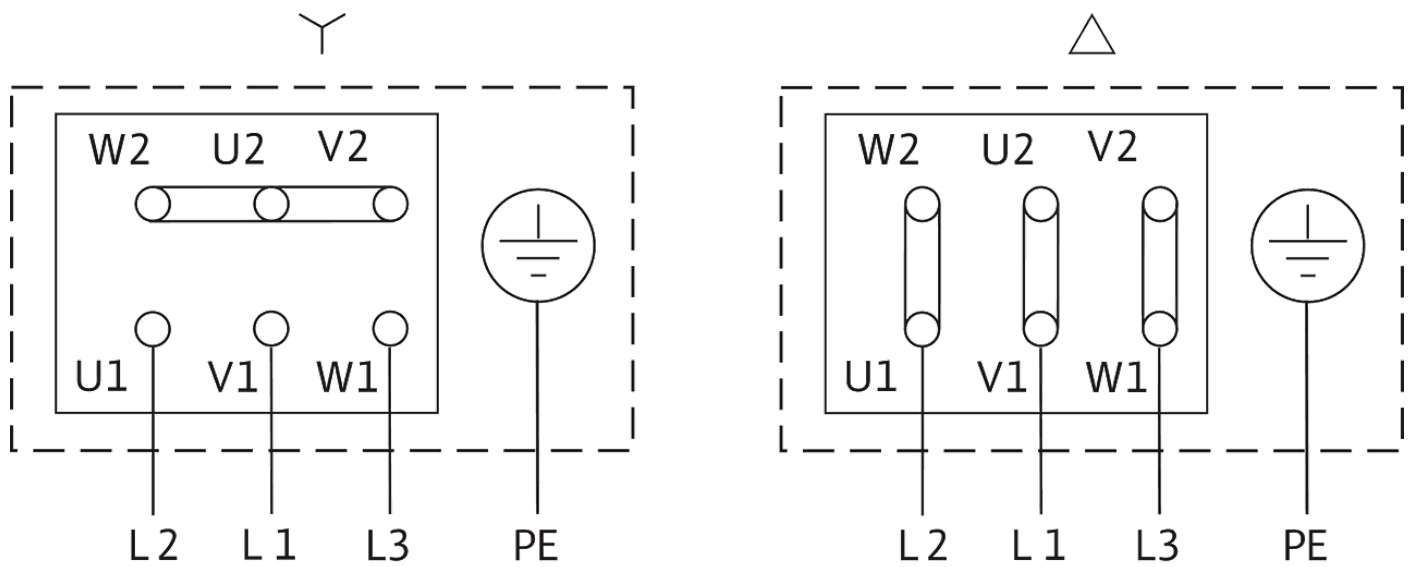
IL



II Pressure measuring connection $R^{1/8}$; III Ventilation $R^{1/8}$

CronoLine-IL 50/150-0,55/4





Δ: Connection diagram delta connection

Y: Connection diagram star connection

Motor protection switch required on-site. Check the direction of rotation! To change the direction of rotation, exchange any two phases.

$P_2 \leq 3 \text{ kW}$ 3~400 V Y

3~230 V Δ

$P_2 \geq 4 \text{ kW}$ 3~690 V Y

3~400 V Δ

After removing the bridges, Y-Δ start is possible.

Product data

| | |
|----------------------------|----------------------------|
| Brand | Wilo |
| Product description | CronoLine-IL 50/150-0,55/4 |
| Article number | 2088339 |
| EAN number | 4016322979685 |
| Colour | Green |
| Minimum order quantity | 1 |
| Date of sales availability | 2010-09-01 |

Dimension, weight

| | |
|--------------------------------|---------|
| Length with packaging | 795 mm |
| Length <i>L</i> | 546 mm |
| Height with packaging | 465 mm |
| Height <i>H</i> | 340 mm |
| Width with packaging | 395 mm |
| Width <i>W</i> | 261 mm |
| Gross weight, approx. <i>m</i> | 51.7 kg |
| Net weight, approx. <i>m</i> | 49 kg |

Packaging

| | |
|--------------------|---------------------|
| Number per layer | 1 |
| Packaging property | Transport packaging |
| Packaging type | Cardboard box |
| Pieces per pallet | 1 |

Single-stage glanded centrifugal pump with in-line design for pipe installation or installation on a base. Low-vibration and low-noise monobloc design with lantern and rigidly connected standard flange motor. With forced-flow circulation, bidirectional bellows mechanical seal and cavitation-reducing impeller. Flange with R 1/8 pressure measuring connections.

Pump housing and lantern are cataphoretic-coated.

Motors in IE3 technology as standard. Pump with motor ≥ 5.5 kW ... ≤ 55 kW are equipped as standard with a PTC thermistor sensor for motor protection.

Operating data

| | |
|----------------------------------|----------------------------------|
| Fluid media | Water |
| Fluid temperature T | -20 °C |
| Ambient temperature T | -15 °C |
| Maximum operating pressure P_N | 16 bar |
| Note on dimensioning | 16 bar to 120°C, 13 bar to 140°C |
| Minimum efficiency index (MEI) | 0.4 |

Motor data

| | |
|--------------------------------|-----------------|
| Motor efficiency class | IE2 |
| Mains connection | 3~400 V, 50 Hz |
| Voltage tolerance | ± 10 % |
| Rated power P_2 | 550.0 W |
| Rated speed n | 1450 1/min |
| Rated current I_N | 1.40 A |
| Power factor $\cos \varphi$ | 0.66 |
| Motor efficiency η_M 50% | 75.4 Percentage |
| Motor efficiency η_M 75% | 78.5 Percentage |
| Motor efficiency η_M 100% | 78.1 Percentage |
| Insulation class | F |
| Protection class | IP55 |

Materials

| | |
|--------------|------------------------------|
| Pump housing | 5.1301/EN-GJL-250 KTL-coated |
| Impeller | Cast iron |
| Shaft | Stainless steel |
| Shaft seal | AQ1EGG |
| Lantern | 5.1301/EN-GJL-250 KTL-coated |

Installation dimensions

| | |
|---------------------------------------------|-------|
| Pipe connection on the suction side DN_s | DN 50 |
| Pipe connection on the pressure side DN_d | DN 50 |

Information for order placements

| | |
|-------|------|
| Brand | Wilo |
|-------|------|

Information for order placements

| | |
|-------------------------------------|----------------------------|
| Product description | CronoLine-IL 50/150-0,55/4 |
| Net weight, approx. <i>m</i> | 49 kg |
| Article number | 2088339 |