

Data sheet: TOP-Z 20/4 (3~400 V, PN 10, Inox)

Hydraulic data

Maximum operating pressure P_N	10 bar
Delivery head for Q_{min} $H_{Q_{min}}$	3.6 m
Max. volume flow Q_{max}	4.0 m ³ /h
Min. fluid temperature for HVAC applications T_{min}	-20 °C
Max. fluid temperature for HVAC applications T_{max}	110 °C
Min. fluid temperature for drinking water applications T_{min}	0
Max. fluid temperature for drinking water applications T_{max}	65
Max. fluid temperature for drinking water applications in short-time duty (2 hours) T_{max}	80 °C
Min. ambient temperature T_{min}	0 °C
Max. ambient temperature T_{max}	40 °C
Max. permitted total water hardness	3.57 mmol/l (20°dH) (3.21 mmol/l (18°dH) for 20/4 + 25/6)

Materials

Pump housing	Stainless steel
Impeller	PPE-GF30
Shaft	Oxide ceramic
Bearing	Carbon, synthetic resin-impregnated

Information for order placements

Brand	Wilo
Product description	TOP-Z 20/4 (3~400 V, PN 10, Inox)
EAN number	4016322652779
Article number	2045520
Net weight, approx. m	3 kg
Gross weight, approx. m	3.8 kg
Length with packaging	270 mm
Height with packaging	215 mm
Width with packaging	178 mm
Packaging property	Transport packaging
Packaging type	Cardboard box
Minimum order quantity	1

Motor data

Mains connection	3~400 V, 50 Hz
Rated power P_2	60.0 W
Rated current I_N	0.35 A
Max. speed n_{max}	2850 1/min
Power consumption $P_{1 min}$	35.0 W
Power consumption $P_{1 max}$	100.0 W
Emitted interference	EN 61000-6-3
Interference resistance	EN 61000-6-2
Protection class motor	IPX4D
Insulation class	H
Threaded cable connection	1 x PG13.5
Motor protection	Impedance protection WSK

Installation dimensions

Pipe connection on the suction side D_Ns	G 1¼
Pipe connection on the pressure side D_Nd	G 1¼
Port-to-port length L_0	150 mm

Tender text: TOP-Z 20/4 (3~400 V, PN 10, Inox)

This circulator is suitable only for drinking water.

Can be used for domestic hot water circulation systems in the industry and building services.

Maintenance-free glandless circulator with threaded or flange connection, pre-selectable speed stages for power adjustment.

Equipment and function

- Manual power adjustment with 3 speed stages
- Pumps with 1- motor:
 - P2 up to 90 W: internal protection against unacceptably high winding temperatures
 - P2 = 180 W: Full motor protection with thermal winding contacts in conjunction with tripping unit
- Pumps with 3- motor:
 - P2 up to 90 W: internal protection against unacceptably high winding temperatures
 - P2 ≥ 180 W: Full motor protection with integrated trip electronics
- Fault signal light
- Contact for collective fault signal
- Direction of rotation signal lamp
- Mains connection 3~, 230 V with optional switching plug
- Pump housing in red brass or grey cast iron (stainless steel depending on type)
- PN 6/PN 10 combination flange (for DN 40 to DN 65)
- Thermal insulation shells
- Additional functions by retrofittable Protect Module C:
 - SSM fault signal as potential-free NC contact
 - SBM run signal as potential-free NO contact
 - "Overriding Off" control input via external potential-free contact (NC contact)
 - Blocking detection
 - Full motor protection with tripping unit
 - Fault acknowledgement
- Dual pump management (two single pumps installed in parallel) Main/standby operation (automatic fault-actuated switchover/time-sensitive pump alteration)

Operating data

Fluid media	Water
Fluid temperature T	-20 °C
Ambient temperature T	0 °C
Maximum operating pressure P_N	10 bar
Max. permitted total water hardness	3.57 mmol/l (20°dH) (3.21 mmol/l (18°dH) for 20/4 + 25/6)

Materials

Pump housing	Stainless steel
Impeller	PPE-GF30
Shaft	Oxide ceramic
Bearing	Carbon, synthetic resin-impregnated

Information for order placements

Brand	Wilo
Product description	TOP-Z 20/4 (3~400 V, PN 10, Inox)
Net weight, approx. m	3 kg
Article number	2045520

Motor data

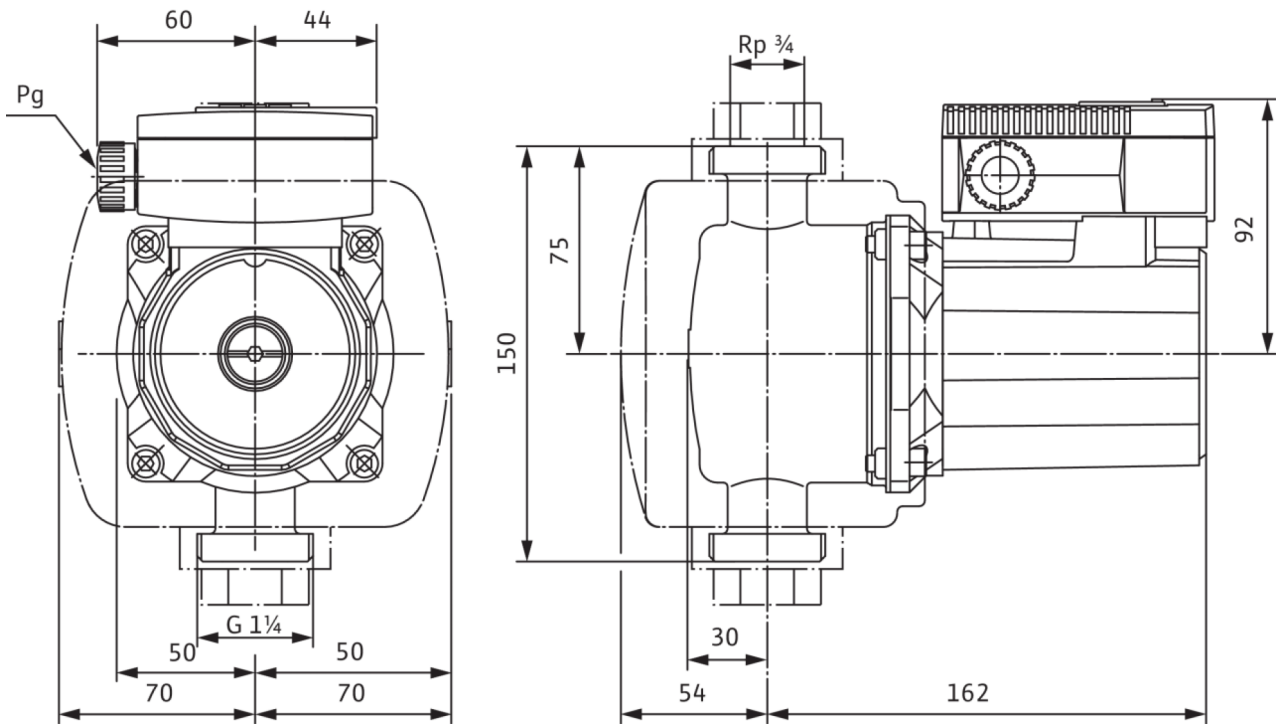
Emitted interference	EN 61000-6-3
Interference resistance	EN 61000-6-2
Mains connection	3~400 V, 50 Hz
Power consumption $P_{1\max}$	100.0 W
Max. speed n_{\max}	2850 1/min
Rated current I_N	0.35 A
Protection class motor	IPX4D
Threaded cable connection	1 x PG13.5

Installation dimensions

Pipe connection on the suction side DN_s	G 1¼
Pipe connection on the pressure side DN_d	G 1¼
Port-to-port length L_0	150 mm

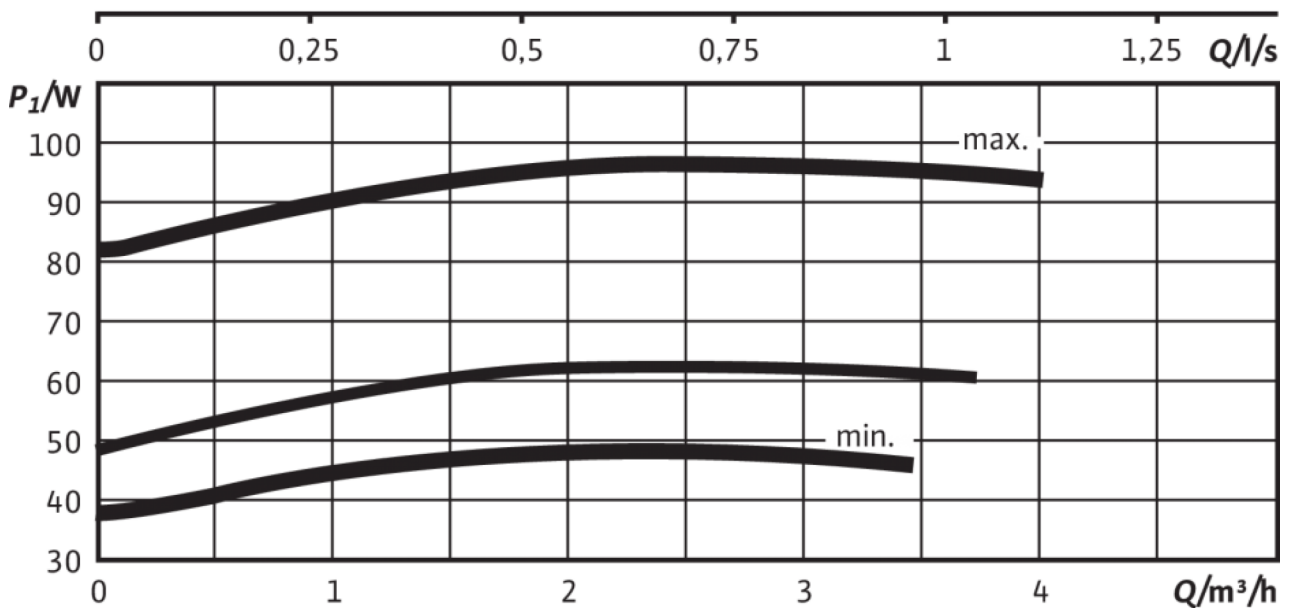
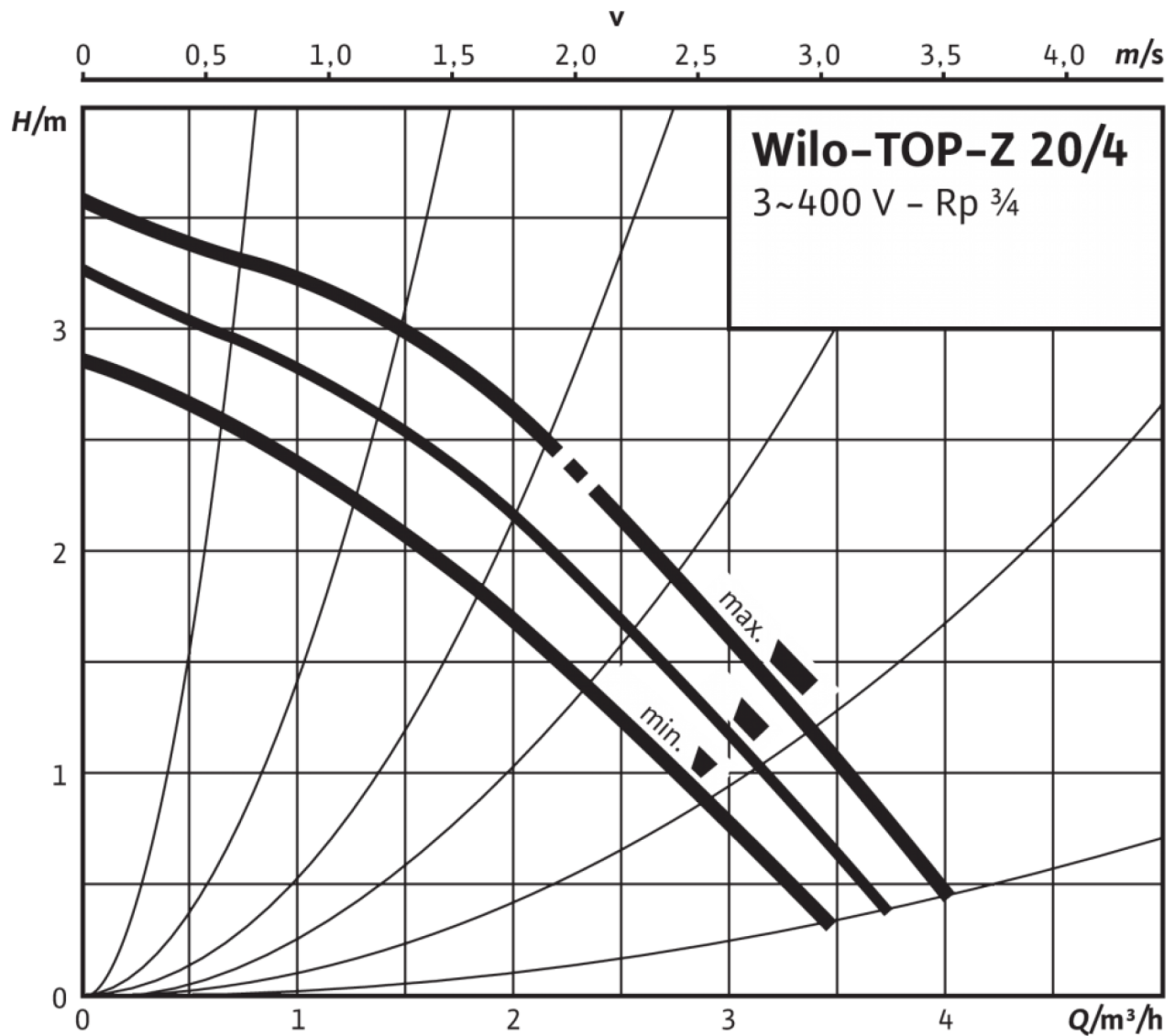
Dimensions and dimensions drawings: TOP-Z 20/4 (3~400 V, PN 10, Inox)

TOP-Z



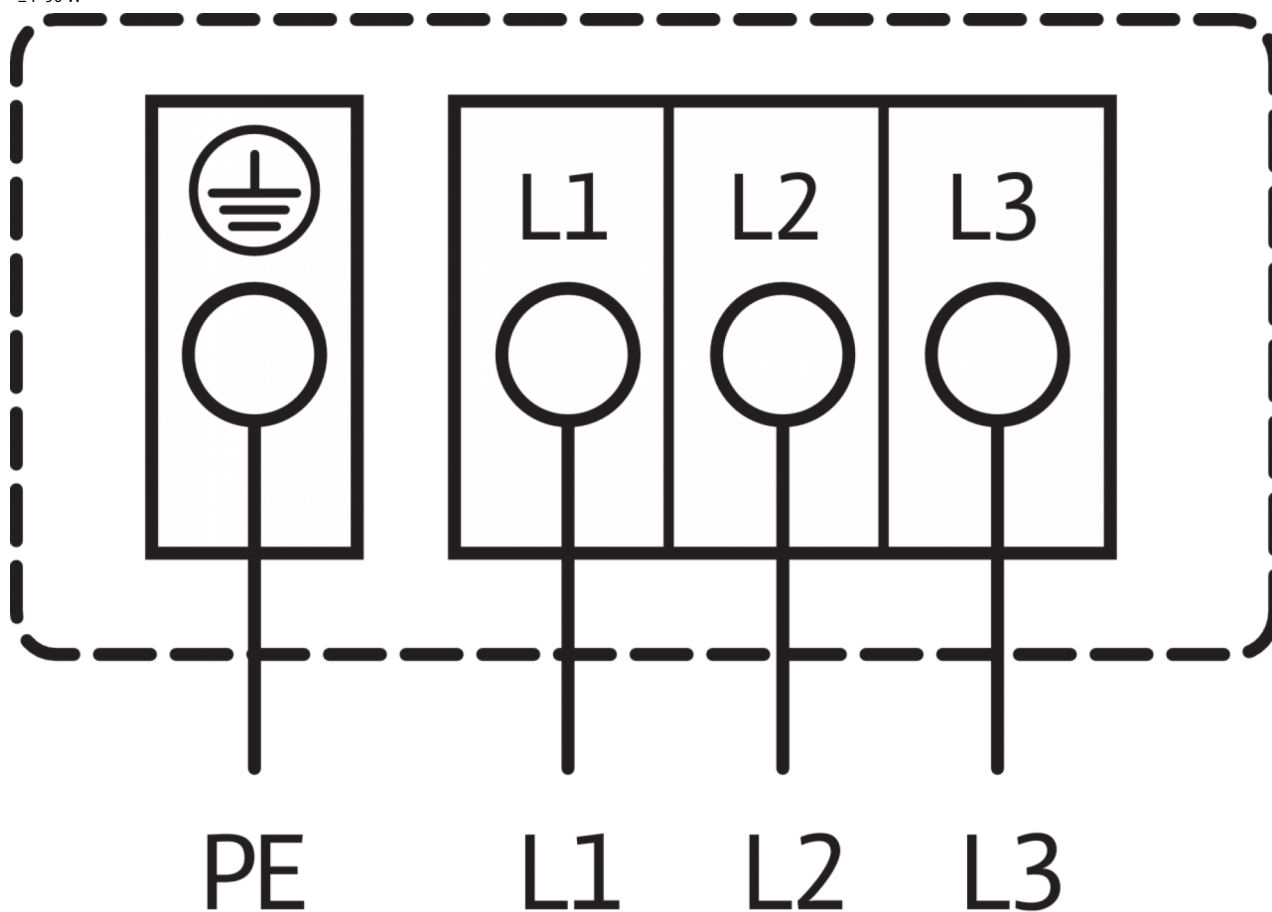
Pump curves: TOP-Z 20/4 (3~400 V, PN 10, Inox)

TOP-Z 20/4, 3~



Wiring diagram: TOP-Z 20/4 (3~400 V, PN 10, Inox)

≤ P 90 W



Mains connection 3~400 V, 50 Hz

3~230 V, 50 Hz (with optional switching plug 3~230 V)

internal protection against unacceptably high winding temperatures

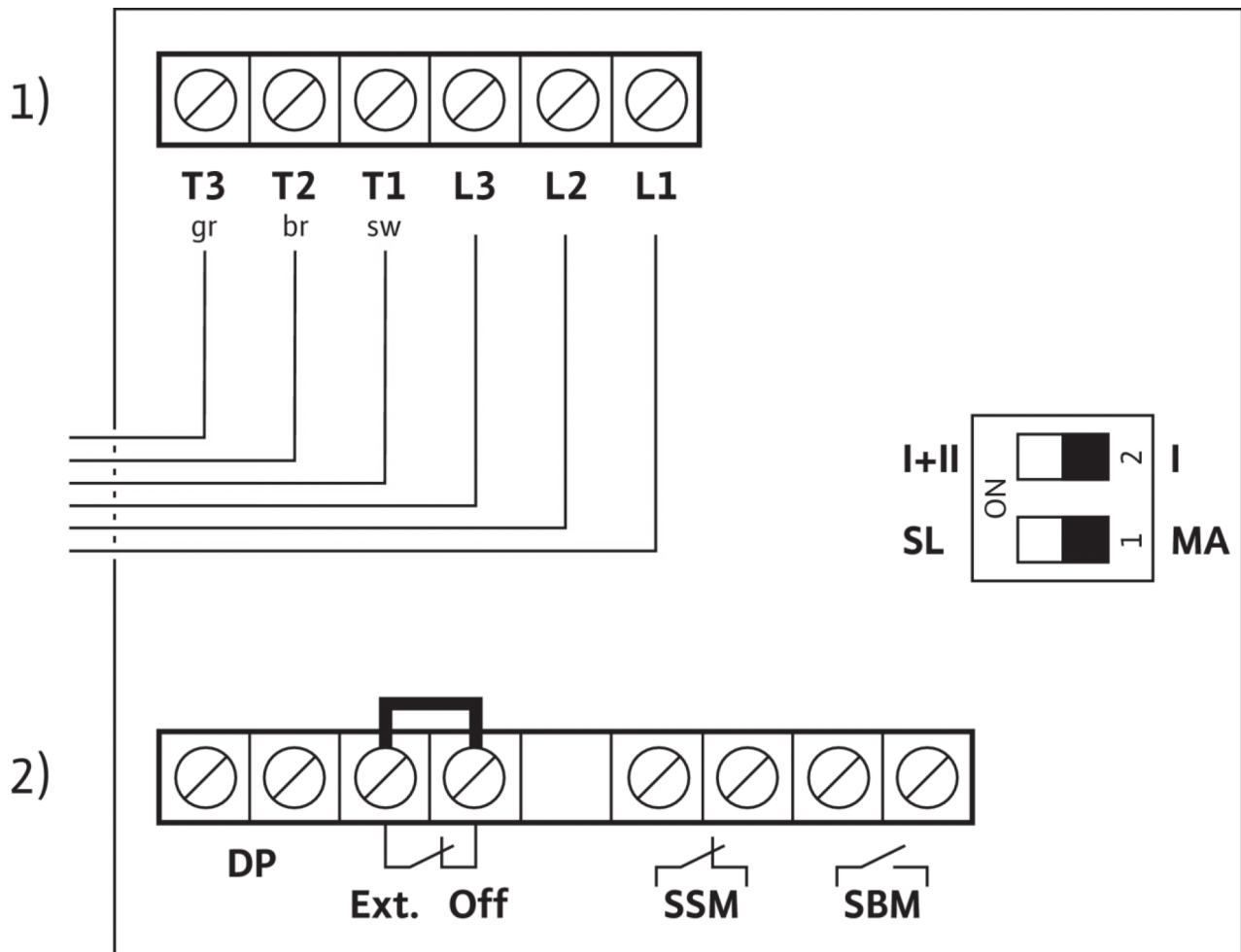
Triggering: Internal interruption of a motor phase

Reset: Disconnect mains voltage, allow motor to cool down,

switch mains voltage back on again

Wiring diagram: TOP-Z 20/4 (3~400 V, PN 10, Inox)

Protect-Modul



1) Mains terminals

2) Control terminals