

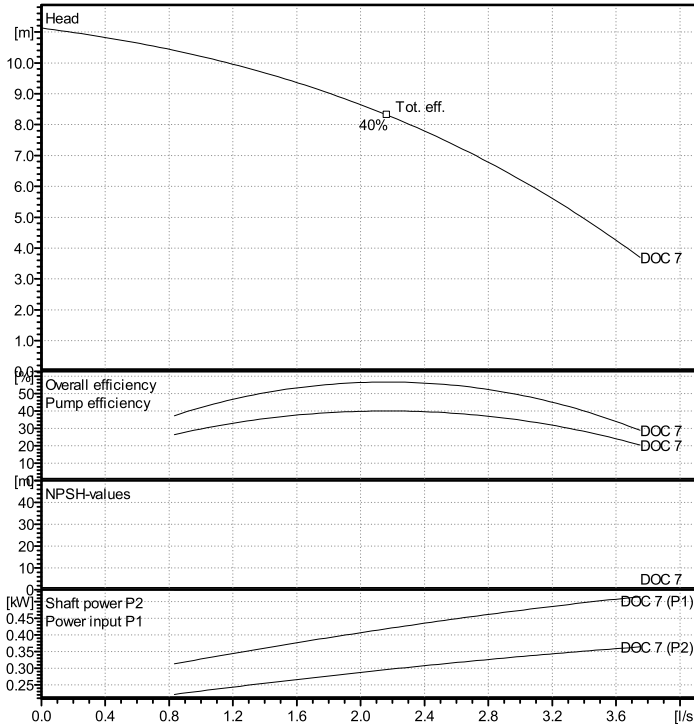
## DOC 7 SG

Company	Anglian Pumping Services	Customer	Date	11/26/2020
Contact	Joshua Harvey	Contact	List price	Price on req.
Project		Phone number	Family code	
Project no.		Email	Item no.	107540120

Performance according to ISO 9906:2012 – Grade 3B

Power datas referred to:

Water, pure [100%] ; 4°C; 1000kg/m<sup>3</sup>; 1.57mm<sup>2</sup>/s



### Operating Data Specification

Flow	0 l/s
Head	0 m

### Hydraulic data (duty point)

Flow	
Head	
Power input	

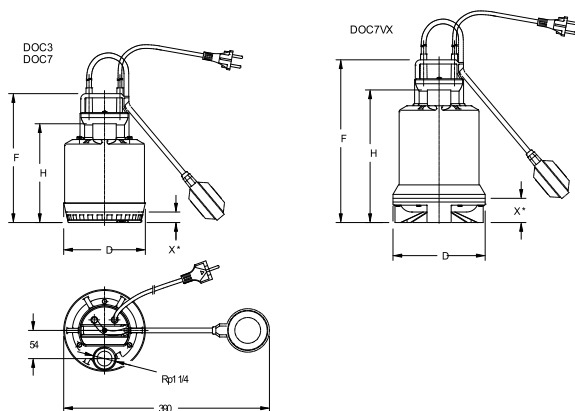
### Pump data

Make	Lowara
Type	DOC 7 SG Submersible sump pump
Speed	2900
Head H(Q=0)	11.1 m
Suction side	
Discharge side	
Types of installation	Submersible pump
Weight	6 kg

### Materials / seals

Pump body	PPO resin + 20 % GF
Suction strainer	PPO resin + 20 % GF
Impeller	PA 66 + 30 % GF
External case	Stainless steel

Shaft Seal



### Motor data

Rated power P2	0.55 kW	Nom. Speed	2720 rpm
Frequency	50	Phase	1~
Rated v voltage	230 V	Rated current	3.47 A
Protection class	IP X8	Insulation class	B
Permitted v voltage tolerance +/- 10%			

### Dimensions mm

D	155		
F	285		
H	228		
X	20		

Note: