

Customer	Date	12/3/2020
Contact	Project	
Phone number	Project no.	
Email		

10HME01S07M02VBE

104630221

Operating data

Pump type	Single head pump	Fluid	Water, pure
No. of pumps / Reserve	1 / 0	Operating temperature t A	°C 4
Nominal flow	l/s 0	pH-value at t A	7
Nominal head	m 0	Density at t A	kg/m ³ 1000
Static head	m 0	Kin. viscosity at t A	mm ² /s 1.569
Inlet pressure	kPa 0	Vapor pressure at t A	kPa 100
Environmental temperature	°C 20	Solids	0
Available system NPSH	m 0	Altitude	m 0

Pump data

Make	Lowara	Nominal	l/s ()
Speed	rpm 2900	Flow	Max- l/s 4.7
Number of stages	1	Min-	l/s 1.7
Max. casing pressure	kPa	Nominal	m
Max. working pressure	kPa 169.8	Head	at Qmax m 6.8
Head H(Q=0)	m 17	at Qmin	m 16.6
Weight	kg 12	Shaft power	kW ()
	Max. mm 73	Max. shaft power	kW .7
Impeller R	designed mm 73	Efficiency (Hydraulic+Motor+Drive)	%
	Min. mm 73	NPSH 3%	m

Pump Materials

Adapter	Aluminium
Diffuser and upper spacer	Stainless steel
Fill / drain plugs	Stainless steel
Head	Stainless steel
Impeller	Stainless steel 304
Outer sleeve	Stainless steel
Ring with foot	Aluminium
SEAL HOUSING	Stainless steel
Shaft	Stainless steel
Shaft sleeve and bushing	Tungsten carbide
Tie rods	Stainless steel
Wear Ring	Technopolymer

Shaft Seal

Mechanical Seal	Roten
HM - uniten	
Rotating Assembly	V-Ceramic
Fixed Assembly	B-Resin impregnated carbon
Elastomers	E - EPDM
Springs	G-AISI 316
Other Components	G-AISI 316

Motor data

Manufacturer	Lowara	Electric voltage	240 V	Speed	3600 rpm	Insulation class	F
Specific design	Single phase e-SM motor			Frame size	80	Colour	RAL 5010
Type	ESM80/107 HM	Electric current	3.27 A				
Rated power	0.75 kW	Degree of protection	IP 55				

Remarks:

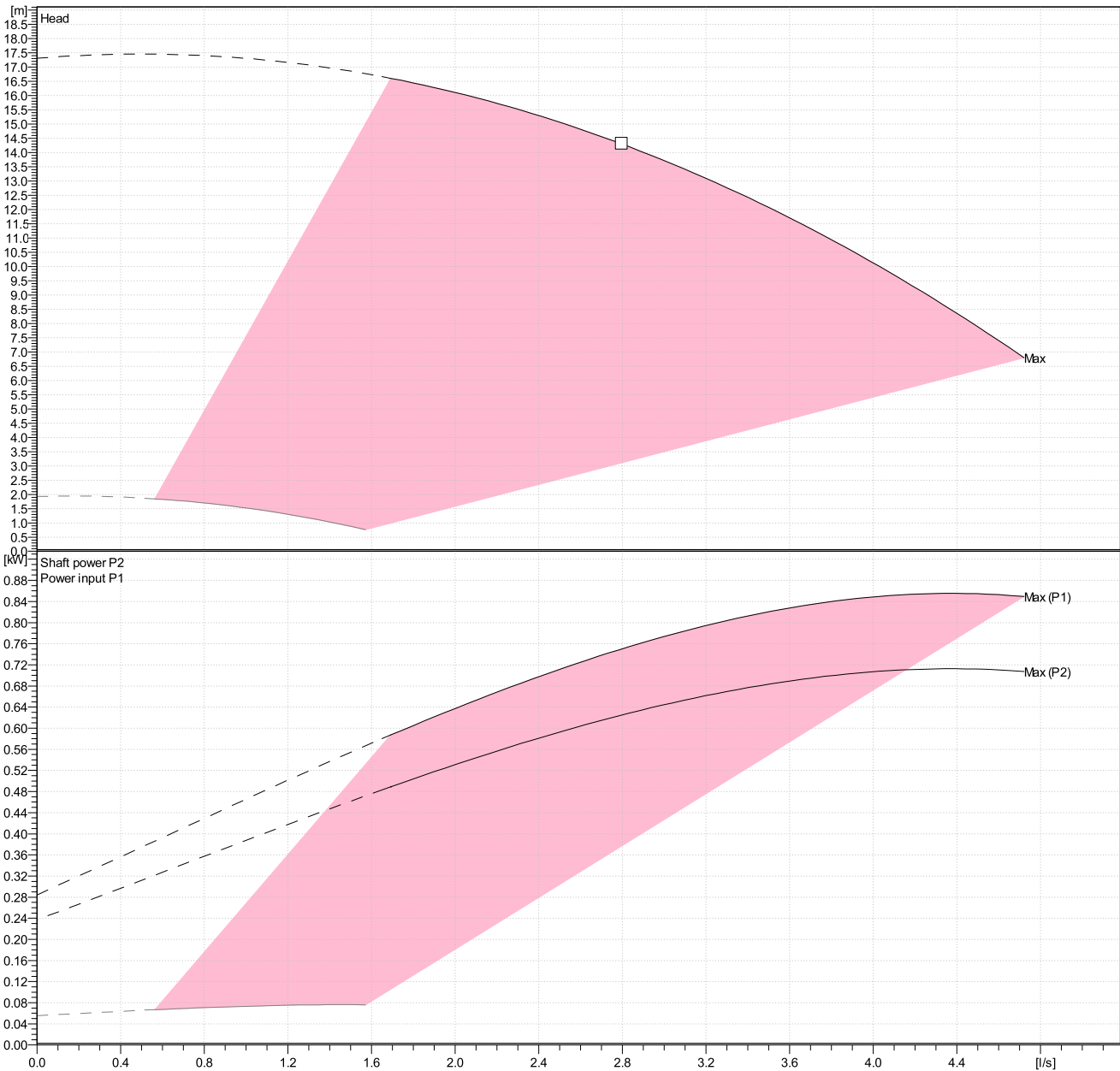
Customer	Date	12/3/2020
Contact	Project	
Phone number	Project no.	
Email		

10HME01S07M02VBE
104630221

Hydraulic data

Operating Data Specification		Hydraulic data (duty point)		Impeller design	
Flow	0 l/s	Flow		Impeller R	73 mm
Head	0 m	Head		Frequency	50 Hz
Static head	0 m			Speed	2900 rpm

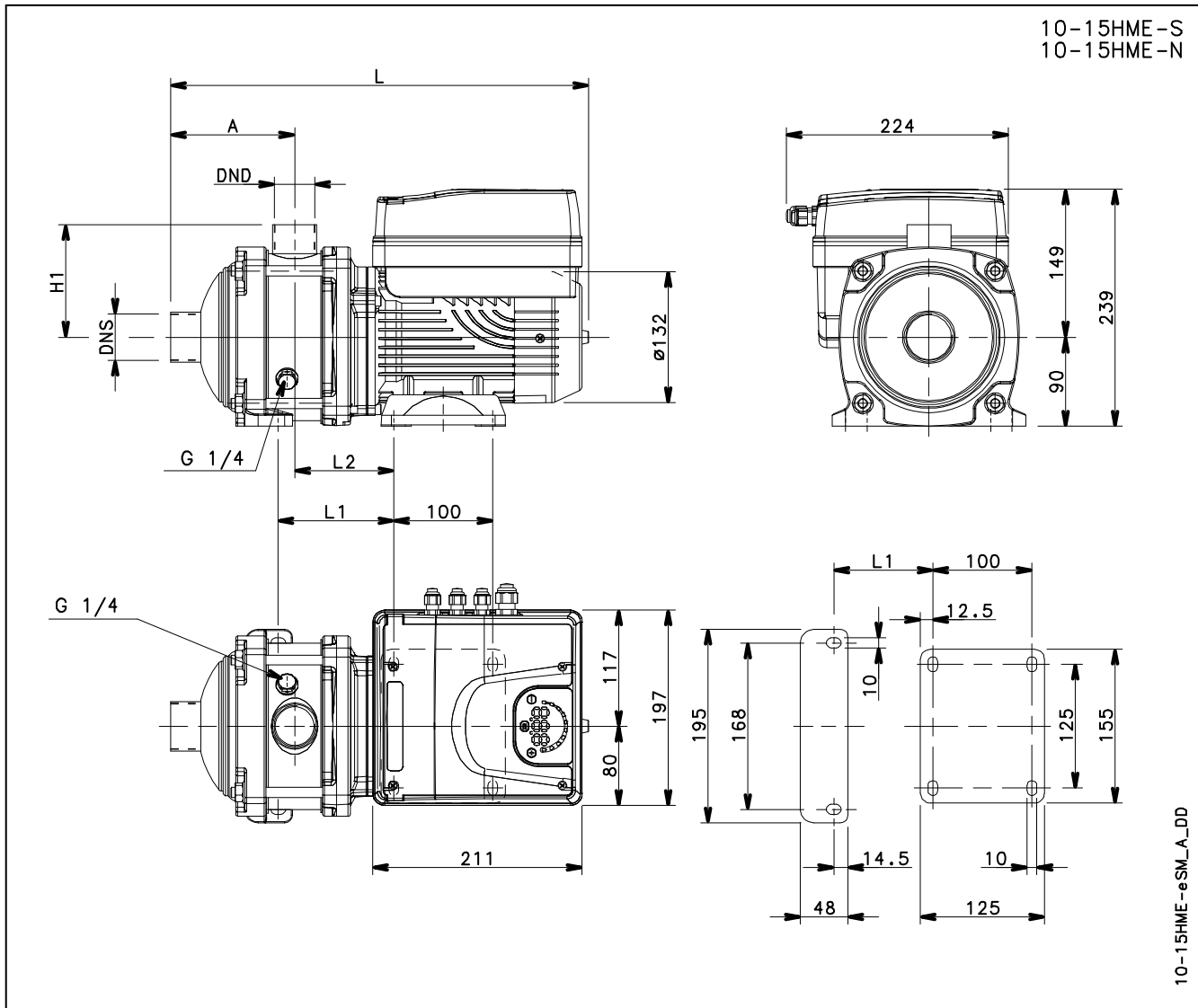
Power data referred to:
 Water, pure [100%] ; 4°C; 1000kg/m³; 1.57mm²/s
 Performance according to ISO 9906:2012 – Grade 3B



Customer	Date	12/3/2020
Contact	Project	
Phone number	Project no.	
Email		

10HME01S07M02VBE
104630221

Drawing



Dimensions mm

A	125					Weight	
DND	Rp 1 1/4					12	kg
DNS	Rp 1 1/2						
H1	113						
L	422						
L1	116.5						
L2	100						
PN	10						