

Customer Contact	Date	12/10/2020
Phone number	Project	
Email	Project no.	

125SV7G550T

Operating data

Pump type	Single head pump	Fluid	Water, pure
No. of pumps / Reserve	1 / 0	Operating temperature t A	°C 4
Nominal flow	l/s 0	pH-value at t A	7
Nominal head	m 0	Density at t A	kg/m ³ 1000
Static head	m 0	Kin. viscosity at t A	mm ² /s 1.569
Inlet pressure	kPa 0	Vapor pressure at t A	kPa 100
Environmental temperature	°C 20	Solids	0
Available system NPSH	m 0	Altitude	m 0

Pump data

Make	Lowara	Nominal	l/s ()
Speed	rpm 2900	Flow Max-	l/s 44.4
Number of stages	7	Min-	l/s
Max. casing pressure	kPa	Nominal	m
Max. working pressure	kPa 1846.6	Head at Qmax	m 68.6
Head H(Q=0)	m 190	at Qmin	m 188.3
Weight	kg 658	Shaft power	kW ()
Max. Impeller R	mm 145	Max. shaft power	kW 48.9
designed	mm 145	Efficiency	%
Min.	mm 145	NPSH 3%	m

Pump Materials

Pump body	Cast iron
Lower support	Stainless steel / AISI 304
Impeller	Stainless steel / AISI 304
Diffuser	Stainless steel / AISI 304
Outer sleeve	Stainless steel / AISI 431
Shaft	Stainless steel / AISI 431
Adapter	Cast Iron
Wear Ring	Technopolymer PPS
Coupling	Cast Iron
Upper head	Cast iron
SEAL HOUSING	Cast iron
Coupling protection	Stainless steel / AISI 304
Shaft sleeve and bushing	Tungsten carbide
Bushing for diffuser	Carbon
Fill / drain plugs	Stainless steel / AISI 316

Shaft Seal

e-SV Mechanical seal	Roten
e-SV - Uniten (-30 / +120 °C)	
1 - Rotating part	Silicon Carbide
2 - Stationary part	Resin impregnated carbon
3 - Elastomers	EPDM
4 - Springs	AISI 316
5 - Other components	AISI 316

Motor data

Manufacturer	Lowara by Omega	Electric voltage	400 V	Speed	2975 rpm	Insulation class	155 (F)
Specific design	IE3 Three phase surface motor	Frame size	250	Colour			RAL 5010
Type	3MGS 250M2 V1 55KW E3	Degree of protection	IP55				
Rated power	55 kW						
Electric current	92.7 A						

Remarks:

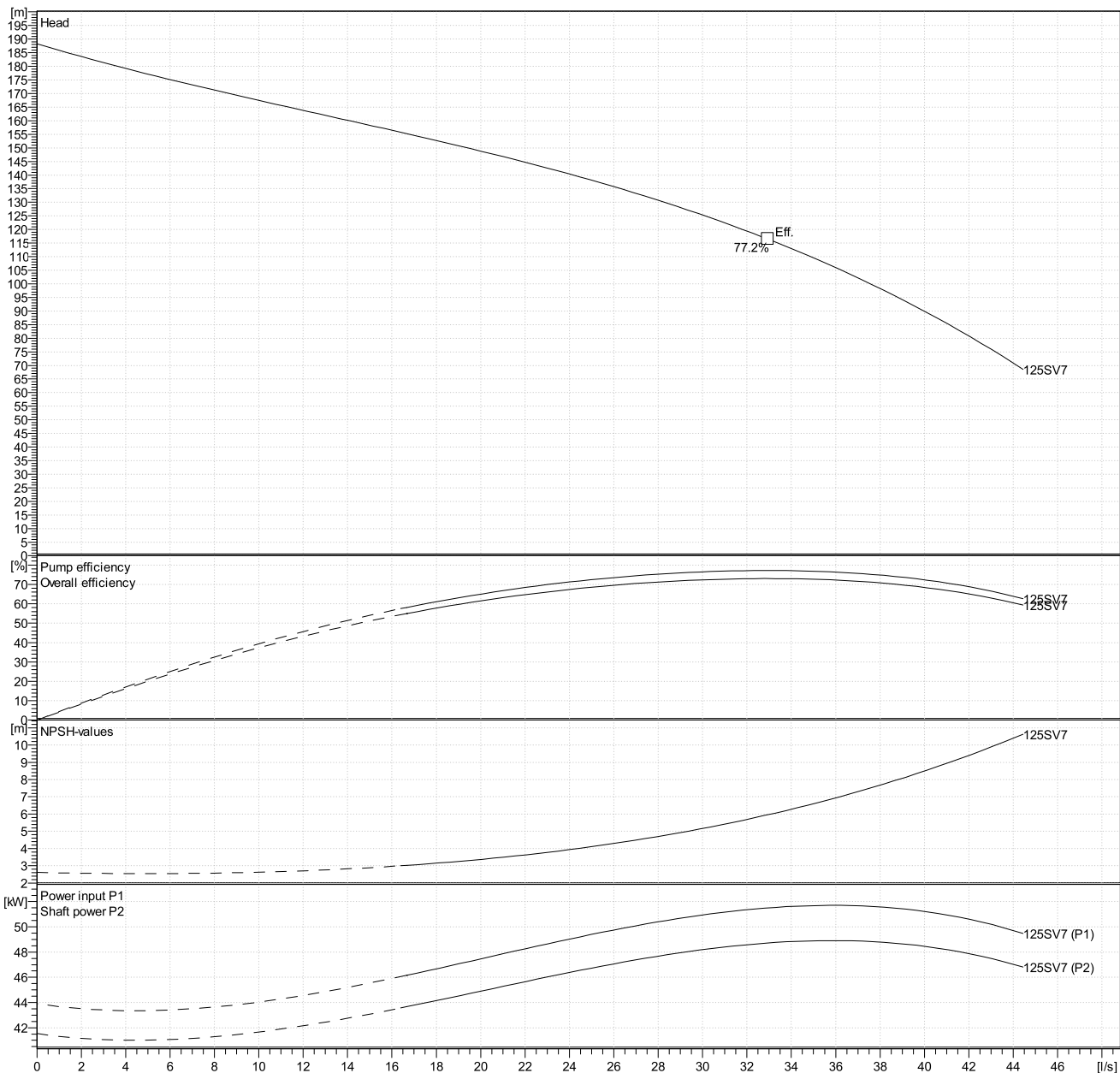
Customer	Date	12/10/2020
Contact	Project	
Phone number	Project no.	
Email		

125SV7G550T

Hydraulic data

Operating Data Specification		Hydraulic data (duty point)		Impeller design	
Flow	0 l/s	Flow		Impeller R	145 mm
Head	0 m	Head		Frequency	50 Hz
Static head	0 m	MEI >=0,7		Speed	2900 rpm

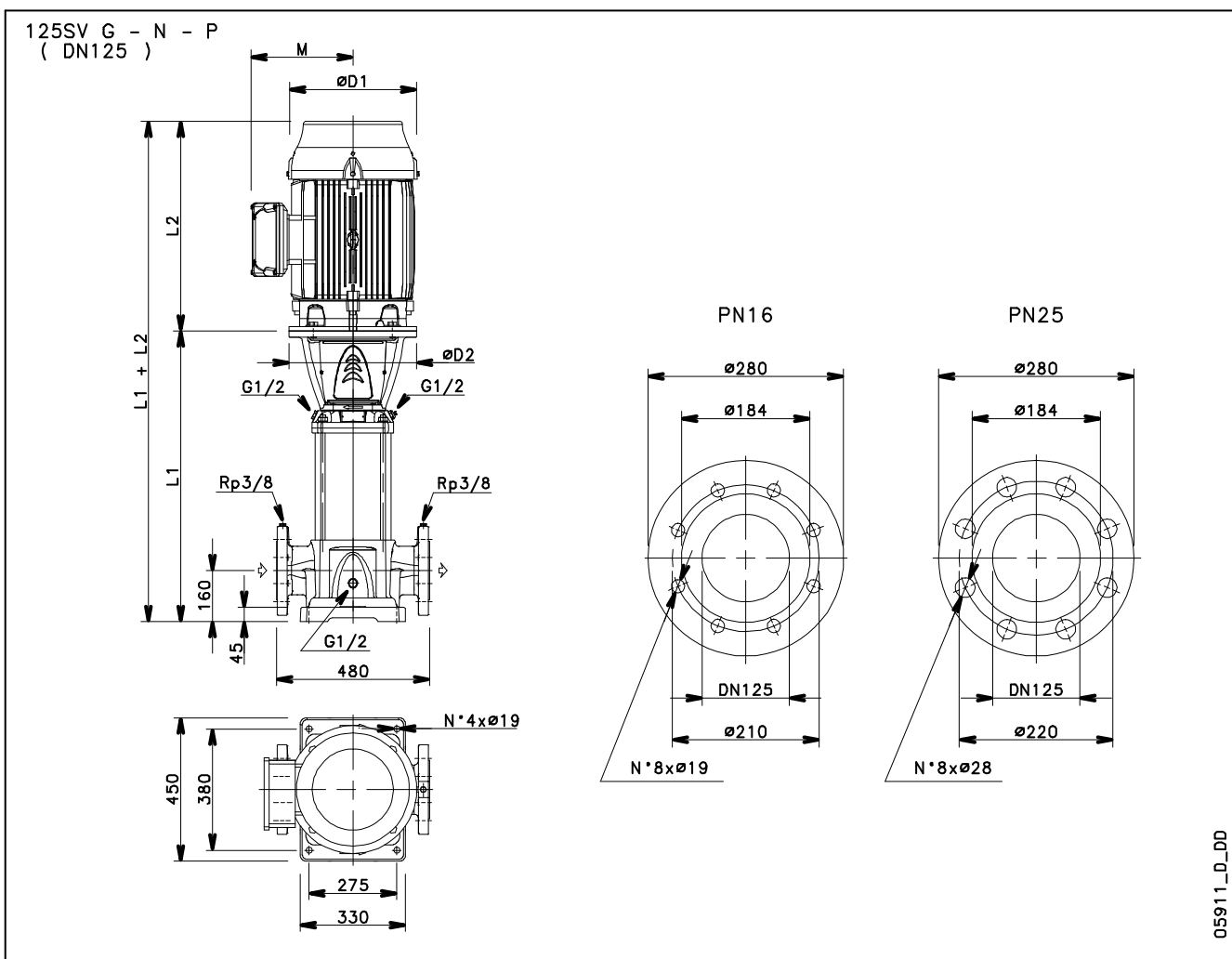
Power datas referred to:
 Water, pure [100%] ; 4°C; 1000kg/m³; 1.57mm²/s
 Performance according to ISO 9906:2012 – Grade 3B



Customer	Date	12/10/2020
Contact	Project	
Phone number	Project no.	
Email		

125SV7G550T

Drawing



Dimensions mm

D1	502					Weight 658 kg
D2	550					
L1	1658					
L2	766.5					
M	362					