

| | | |
|------------------|-------------|-----------|
| Customer Contact | Date | 1/14/2021 |
| Phone number | Project | |
| Email | Project no. | |

33SV4/1AG110T

101680101

Operating data

| | | | |
|---------------------------|------------------|---------------------------|--------------------------|
| Pump type | Single head pump | Fluid | Water, pure |
| No. of pumps / Reserve | 1 / 0 | Operating temperature t A | °C 4 |
| Nominal flow | l/s 0 | pH-value at t A | 7 |
| Nominal head | m 0 | Density at t A | kg/m ³ 1000 |
| Static head | m 0 | Kin. viscosity at t A | mm ² /s 1.569 |
| Inlet pressure | kPa 0 | Vapor pressure at t A | kPa 100 |
| Environmental temperature | °C 20 | Solids | 0 |
| Available system NPSH | m 0 | Altitude | m 0 |

Pump data

| | | | |
|-----------------------|-----------|------------------|----------|
| Make | Lowara | Nominal | l/s () |
| Speed | rpm 2900 | Flow Max- | l/s 11.1 |
| Number of stages | 4 | Min- | l/s |
| Max. casing pressure | kPa | Nominal | m |
| Max. working pressure | kPa 872.4 | Head at Qmax | m 55.1 |
| Head H(Q=0) | m 89 | at Qmin | m 88.9 |
| Weight | kg 143 | Shaft power | kW () |
| Max. | m 209.4 | Max. shaft power | kW 8.8 |
| Impeller R designed | m 209.4 | Efficiency | % |
| Min. | m 209.4 | NPSH 3% | m |

Pump Materials

| | |
|--------------------------|-----------------------------|
| Pump body | Cast iron |
| Lower support | Cast iron |
| Impeller | Stainless steel / AISI 316L |
| Diffuser | Stainless steel / AISI 304 |
| Outer sleeve | Stainless steel / AISI 304 |
| Shaft | Stainless steel / AISI 431 |
| Adapter | Cast iron |
| Wear Ring | Technopolymer PPS |
| Coupling | Cast iron |
| Upper head | Cast iron |
| SEAL HOUSING | Cast iron |
| Coupling protection | Stainless steel / AISI 304 |
| Shaft sleeve and bushing | Tungsten carbide |
| Bushing for diffuser | Carbon |
| Fill / drain plugs | Stainless steel / AISI 316 |

Shaft Seal

| | |
|-------------------------------|--------------------------|
| e-SV Mechanical seal | Roten |
| e-SV - Uniten (-30 / +120 °C) | |
| 1 - Rotating part | Silicon Carbide |
| 2 - Stationary part | Resin impregnated carbon |
| 3 - Elastomers | EPDM |
| 4 - Springs | AISI 316 |
| 5 - Other components | AISI 316 |

Motor data

| | | | | | | | |
|------------------|--------------------------------------|----------------------|-------|--------|----------|------------------|----------|
| Manufacturer | Lowara | Electric voltage | 400 V | Speed | 2930 rpm | Insulation class | 155 (F) |
| Specific design | IE3 Three phase surface motor (e-SV) | Frame size | 160R | Colour | | | RAL 5010 |
| Type | PLM160RB5/3110 E3 (220-240/380-415V) | | | | | | |
| Rated power | 11 kW | Degree of protection | IP55 | | | | |
| Electric current | 20.2 A | | | | | | |

Remarks:

| | | |
|--------------|-------------|-----------|
| Customer | Date | 1/14/2021 |
| Contact | Project | |
| Phone number | Project no. | |
| Email | | |

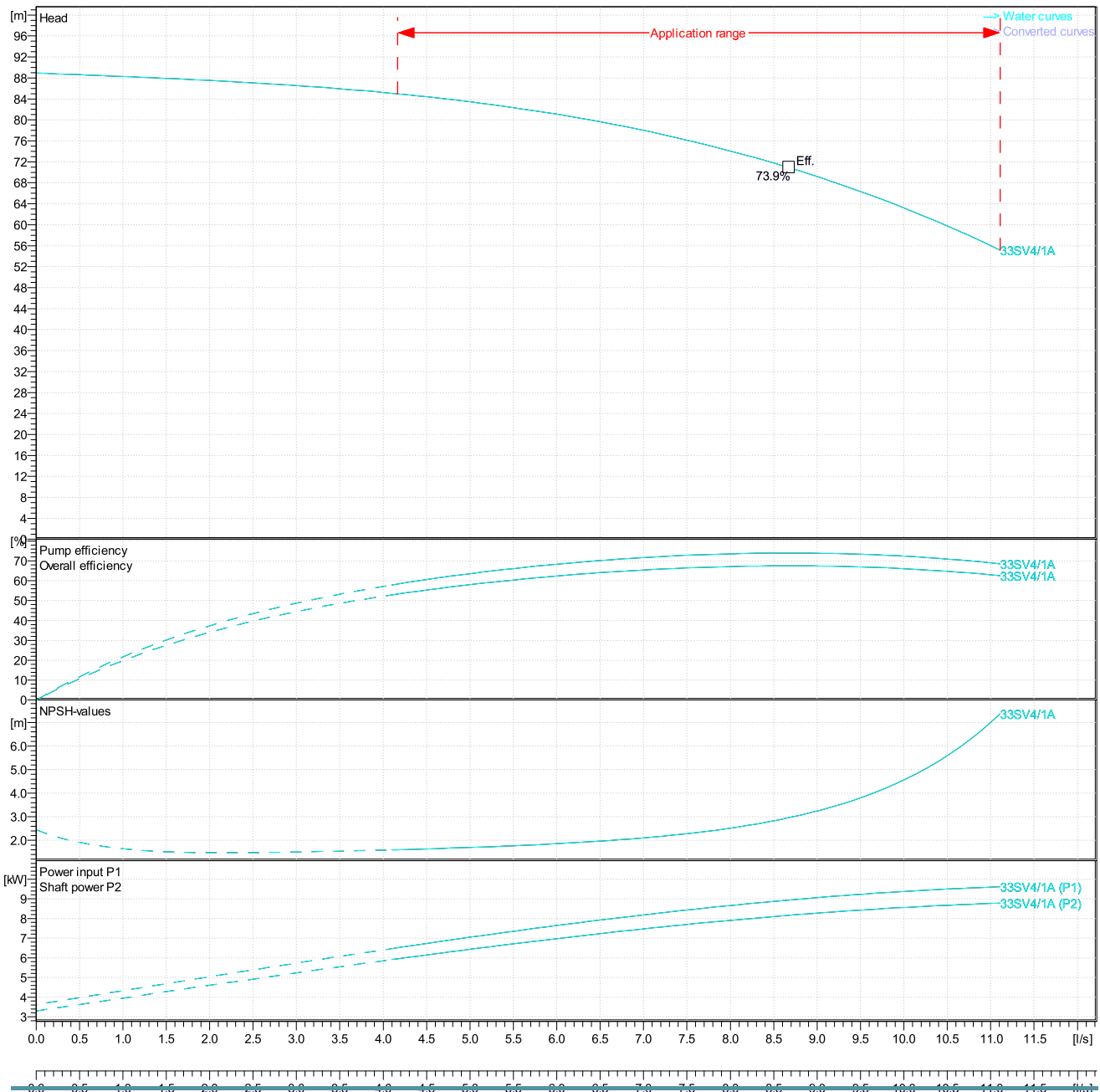
33SV4/1AG110T

101680101

Hydraulic data

| Operating Data Specification | | Hydraulic data (duty point) | | Impeller design | |
|------------------------------|-------|-----------------------------|--|-----------------|----------|
| Flow | 0 l/s | Flow | | Impeller R | 209.45 m |
| Head | 0 m | Head | | Frequency | 50 Hz |
| Static head | 0 m | MEI >=0,7 | | Speed | 2900 rpm |

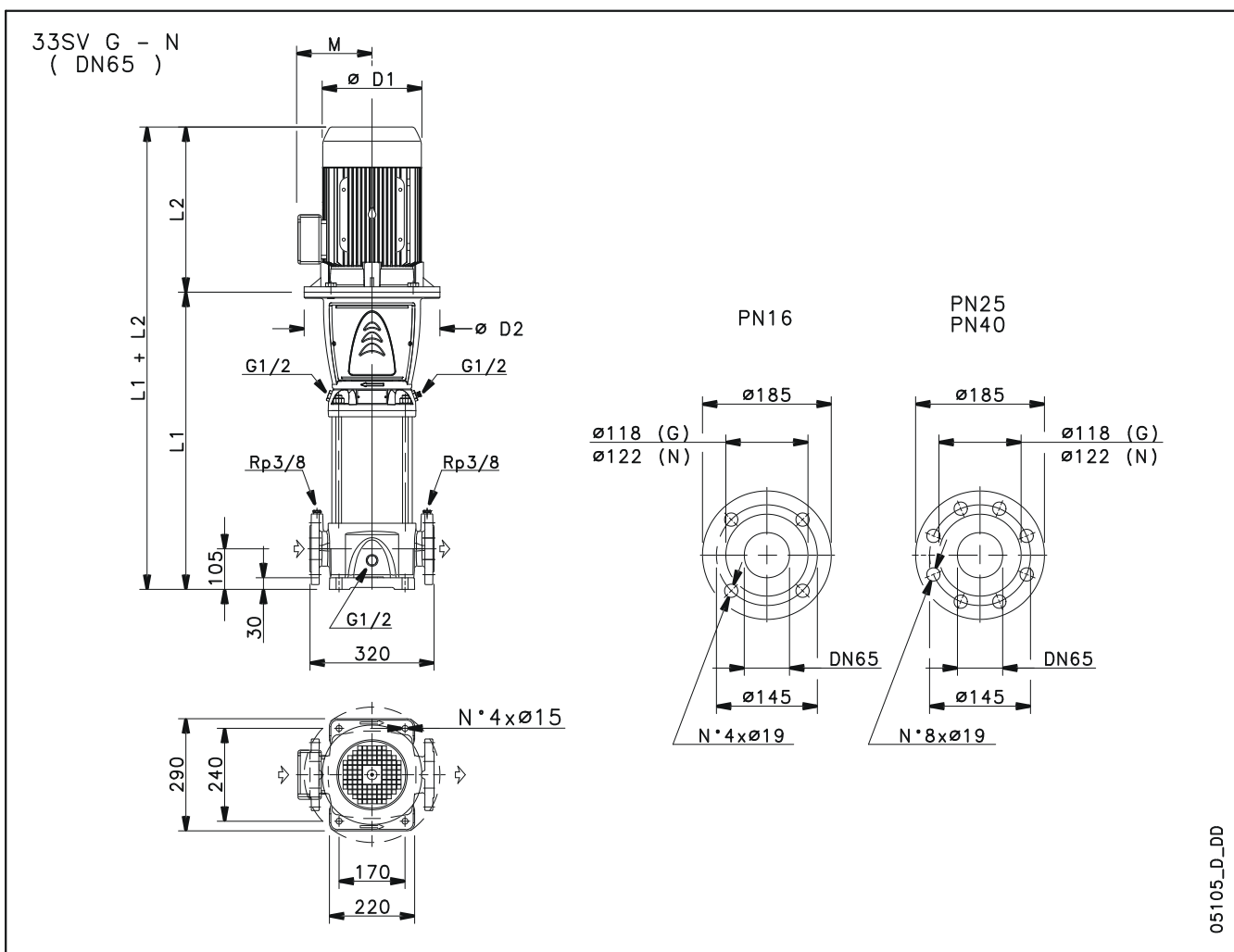
Power data referred to:
 Water, pure [100%] ; 4°C; 1000kg/m³; 1.57mm²/s
 Performance according to ISO 9906:2012 – Grade 3B



| | | |
|--------------|-------------|-----------|
| Customer | Date | 1/14/2021 |
| Contact | Project | |
| Phone number | Project no. | |
| Email | | |

33SV4/1AG110T
101680101

Drawing



Dimensions m

| | | | | | | |
|----|--------|--|--|--|--|------------------|
| D1 | 403.15 | | | | | Weight 143 kg |
| D2 | 551.18 | | | | | |
| L1 | 1211 | | | | | |
| L2 | 674.02 | | | | | |
| M | 300.79 | | | | | |